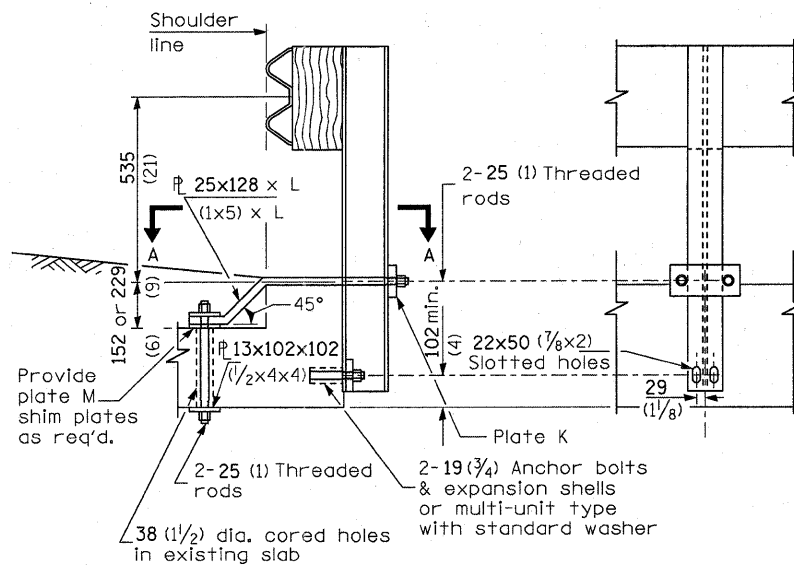


CROSS SECTION ELEVATION  
CONDITION H > 450 (18)



CROSS SECTION ELEVATION  
CASE II  
MOUNTED ON TOP HEADWALL  
WITH SQUARE TIP

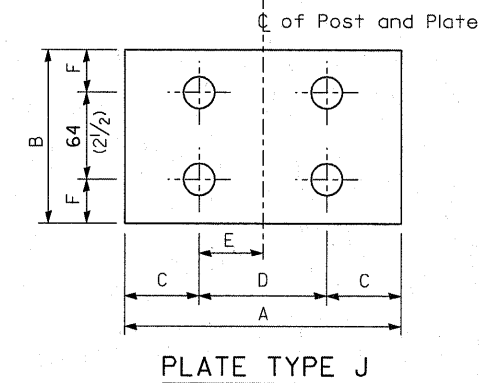
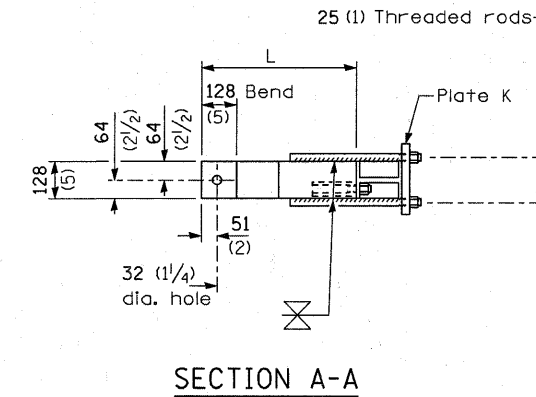
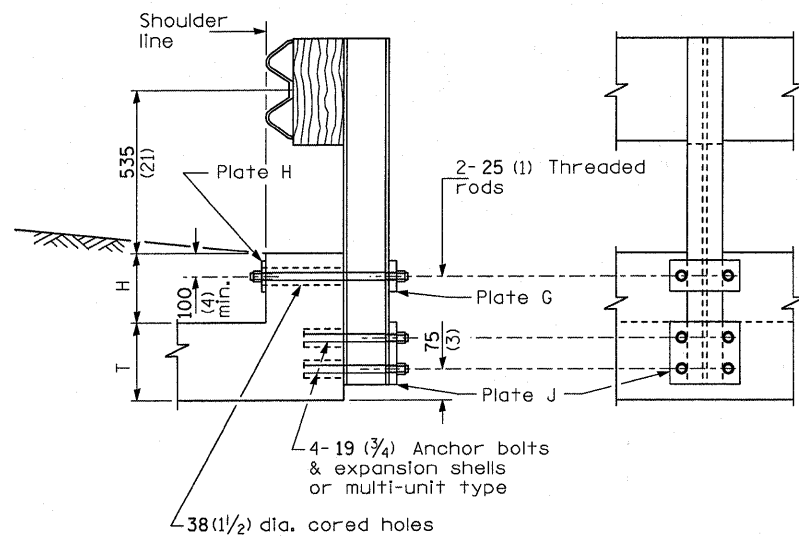


PLATE TYPE J



CROSS SECTION ELEVATION  
CONDITION H < 450 (18) & H+T ≥ 510 (20)

CASE I  
MOUNTED ON  
RAISED HEADWALL

PLATE DIMENSIONS								
Type	A	B	C	D	E	F	Hole Dia.	Thick-ness
G	230 (9)	100 (4)	40 (1 1/2)	150 (6)	75 (3)	50 (2)	29 (1 1/8)	25 (1)
H	230 (9)	100 (4)	40 (1 1/2)	150 (6)	75 (3)	50 (2)	29 (1 1/8)	13 (1/2)
J	230 (9)	126 (5)	40 (1 1/2)	150 (6)	75 (3)	31 (1 1/4)	22 (7/8)	25 (1)
K	230 (9)	100 (4)	40 (1 1/2)	150 (6)	75 (3)	50 (2)	29 (1 1/8)	32 (1 1/4)
M	100 (4)	100 (4)	50 (2)	N/A	N/A	50 (2)	32 (1 1/8)	13 (1/2)

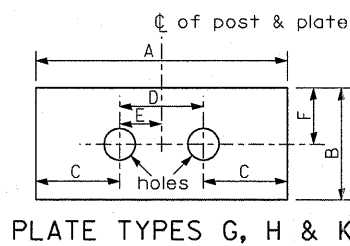


PLATE TYPES G, H & K

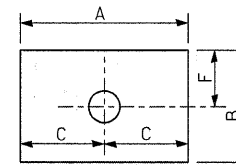


PLATE TYPE M

GENERAL NOTES

Except as noted, dimensions and notes specified for case II, III, and IV are the same as specified for case I.

For details of guardrail elements not shown, see Standard 630001.

All threaded rods shall be installed with heavy hex nuts and standard washers.

All dimensions are in millimeters (inches) unless otherwise shown.