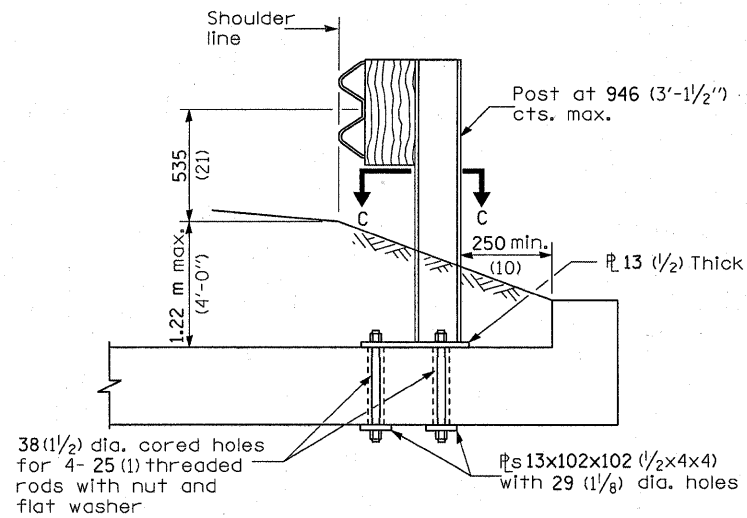
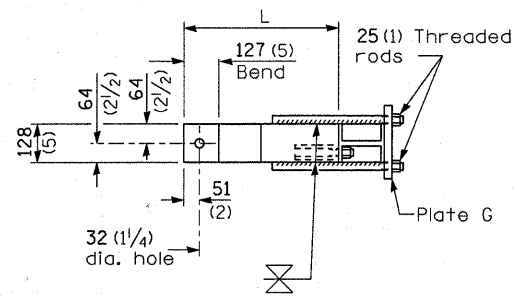


CROSS SECTION

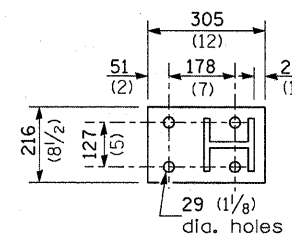
ELEVATION



CROSS SECTION



SECTION B-B



SECTION C-C

CASE III
MOUNTED ON HEADWALL
WITH CURVED OR DEMOLISHED TIP

CASE IV
MOUNTED ON SLAB

All dimensions are in millimeters (inches) unless otherwise shown.

FILE NAME =	USER NAME = quigleyml	DESIGNED -	REVISED -
c:\pwork\pwork\quigleyml\d0258015\0366829-shd-DETAILS.dgn		DRAWN -	REVISED -
		CHECKED -	REVISED -
		DATE -	REVISED -

STATE OF ILLINOIS
DEPARTMENT OF TRANSPORTATION

PRE-MGS EFFECTIVE 4-1-06
GUARDRAIL MOUNTED ON EXISTING CULVERTS
STANDARD 630101-06

(Sheet 2 of 2)

F.A. RTE. VAR.	SECTION	COUNTY	TOTAL SHEETS	SHEET NO.
			35	20
CONTRACT NO. 66B29				

D-3 HIGHWAY DAMAGE REPAIR 2011

SCALE: SHEET NO. OF SHEETS STA. TO STA. FED. ROAD DIST. NO. ILLINOIS FED. AID PROJECT