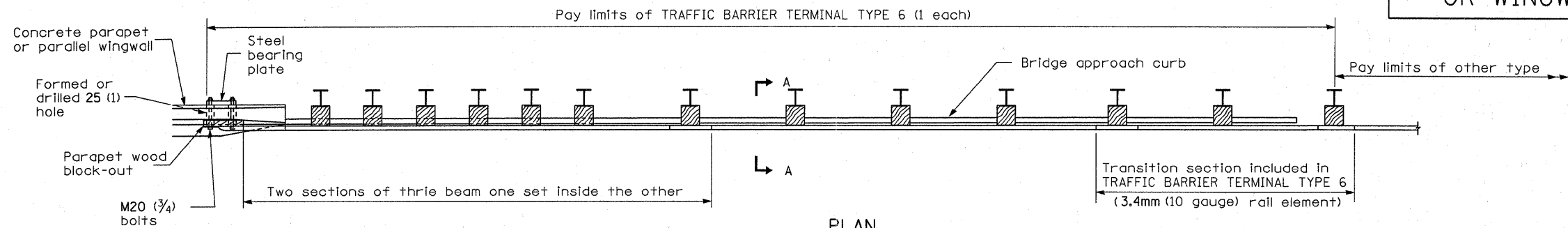
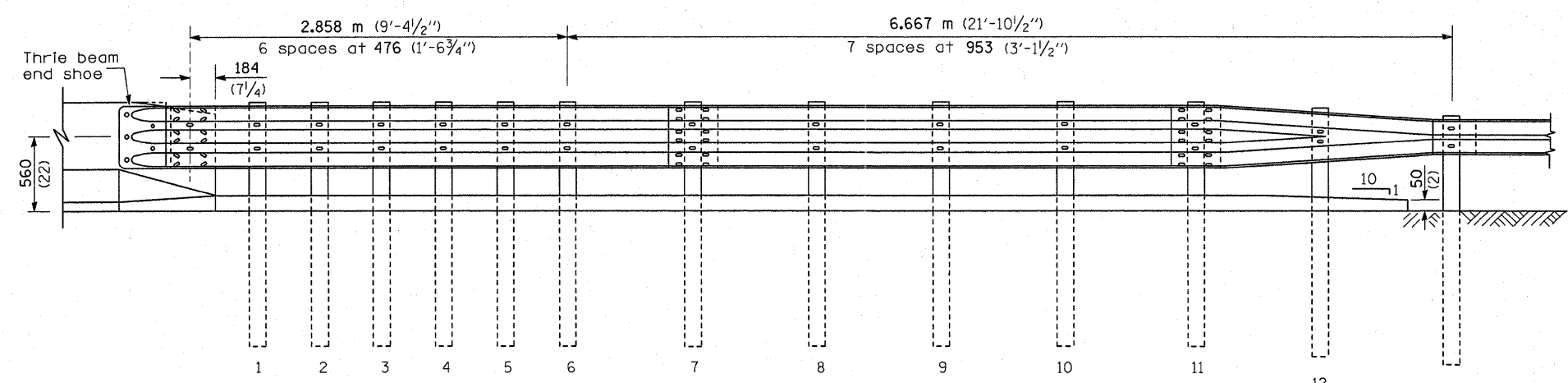


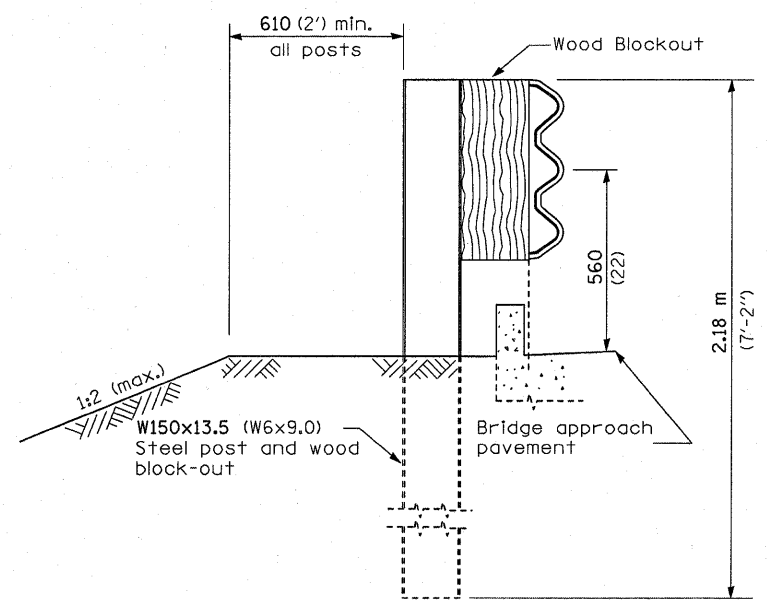
PARAPET
OR WINGWALL



PLAN



ELEVATION



SECTION A-A

GENERAL NOTES

- See Standard 630001 for details of guardrail not shown.
- Thrie beam rail shall be bolted to block-out at all posts.
- See Standard 420401 for details of bridge approach pavement.
- All slope ratios are expressed as units of vertical displacement to units of horizontal displacement (V:H).
- All dimensions are in millimeters (inches) unless otherwise shown.

FILE NAME =	USER NAME = quigleyml	DESIGNED -	REVISED -	STATE OF ILLINOIS DEPARTMENT OF TRANSPORTATION	PRE-MGS EFFECTIVE 4-1-06 TRAFFIC BARRIER TERMINAL TYPE 6 STANDARD 631031-05	F.A. RTE.	SECTION	COUNTY	TOTAL SHEETS	SHEET NO.
ci:\pw\work\psidot\quigleyml\0256815\036829-ah-t-DETAILS.dgn	PLT SCALE = 50.0000' / IN.	DRAWN -	REVISED -			VAR.	•	VAR.	35	25
	PLT DATE = Apr 07, 2011 - 11:38:40 AM	CHECKED -	REVISED -			SCALE: SHEET NO. OF SHEETS STA. TO STA.		CONTRACT NO. 66B29		
		DATE -	REVISED -			Sheet 1 of 3		FED. ROAD DIST. NO. [ILLINOIS] FED. AID PROJECT		