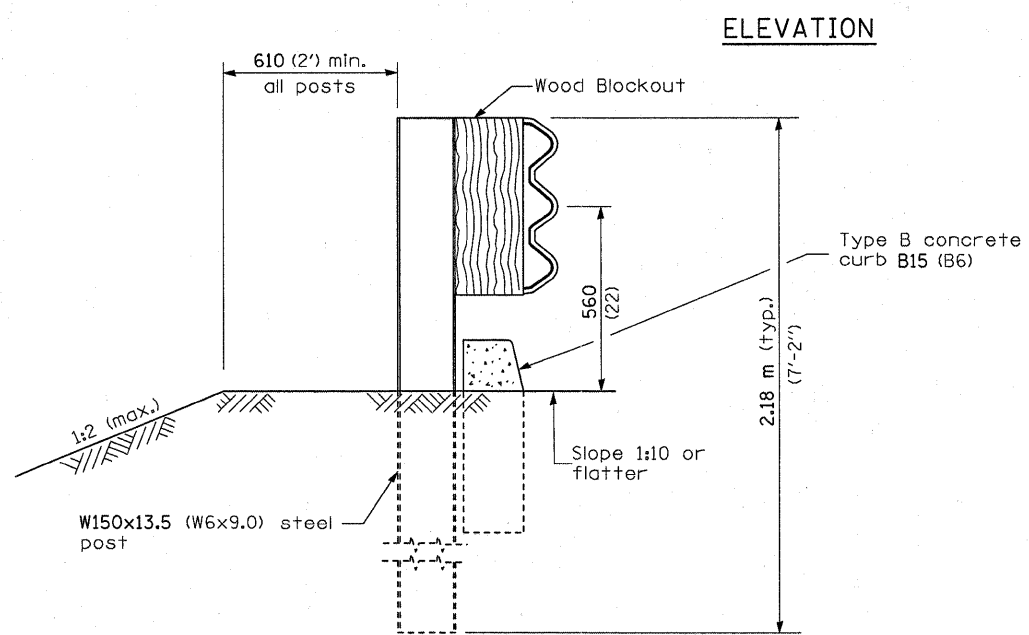
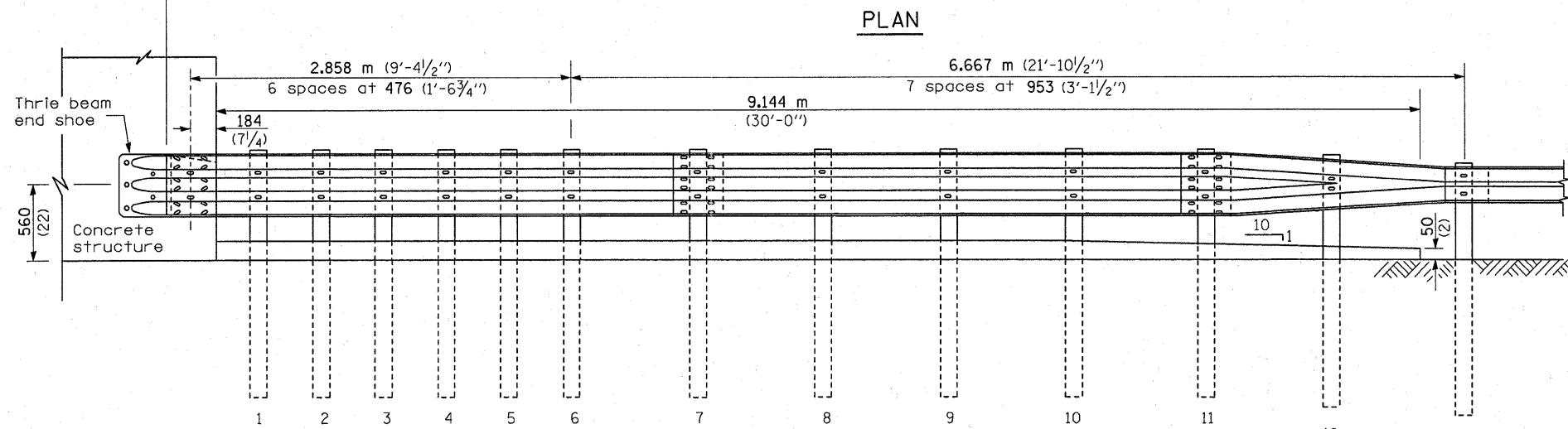
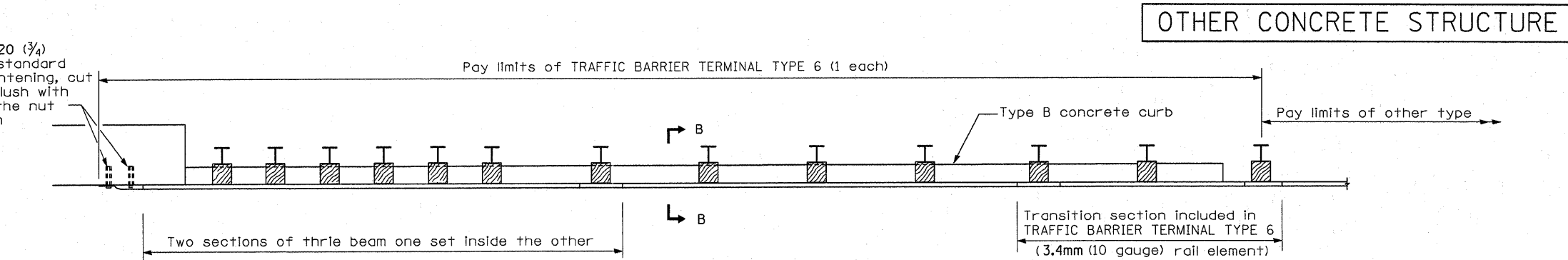


5 Epoxy grouted M20 (3/4") anchor bolts with standard washers. After tightening, cut the anchor bolts flush with nuts, and damage the nut to prevent it from loosening.



SECTION B-B

FILE NAME = USER NAME = quigleyml c:\pwork\pwork\quigleyml\d0258015\0361829-shit-DETAILS.dgn				DESIGNED - DRAWN - CHECKED - DATE -	REVISED - REVISED - REVISED - REVISED -	STATE OF ILLINOIS DEPARTMENT OF TRANSPORTATION	PRE-MGS EFFECTIVE 4-1-06 TRAFFIC BARRIER TERMINAL TYPE 6 STANDARD 631031-05				F.A. RTE. VAR.	SECTION .	COUNTY VAR.	TOTAL SHEETS 35	SHEET NO. 26
PLOT SCALE = 50,0000 ' / IN. PLOT DATE = Apr 07, 2011 - 11:38:33 AM				DATE -	SCALE:		SHEET NO. OF SHEETS STA. TO STA.	Sheet 2 of 3	FED. ROAD DIST. NO. ILLINOIS FED. AID PROJECT	CONTRACT NO. 66B29					

• 0-3 HIGHWAY DAMAGE REPAIR 2011