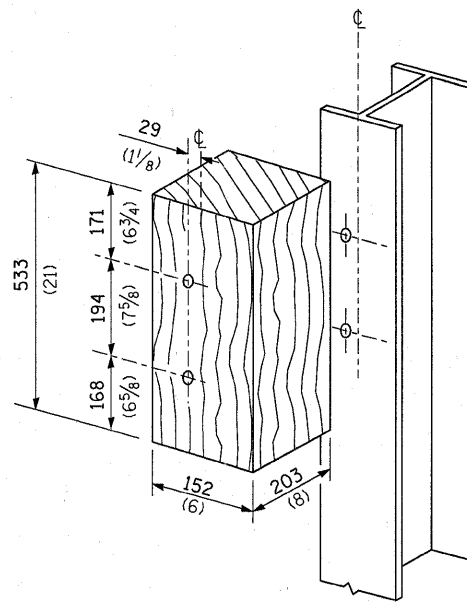
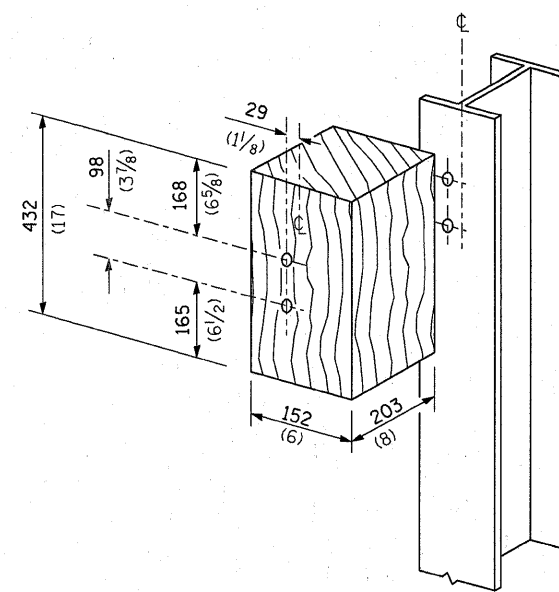


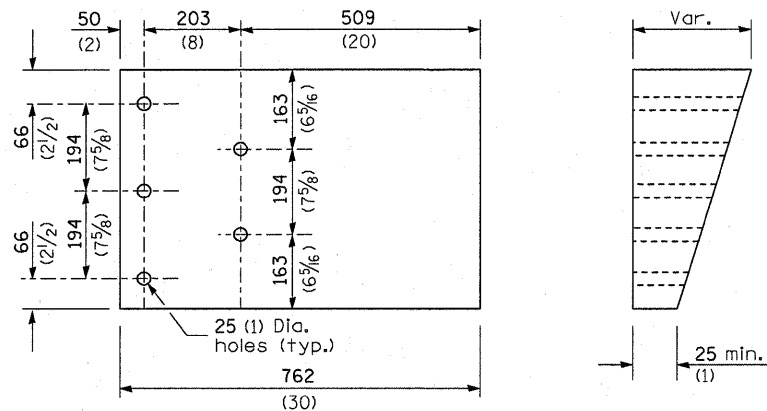
THRIE BEAM END SHOE DETAIL



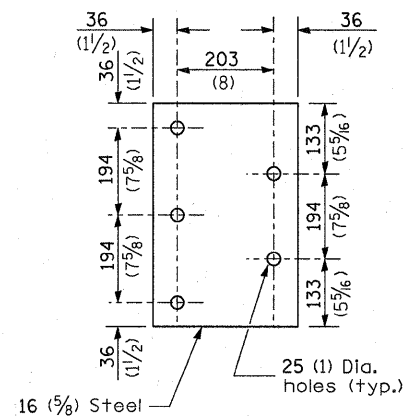
POSTS 1-11 WOOD BLOCKOUT DETAIL



POST 12 WOOD BLOCKOUT DETAIL



PARAPET WOOD BLOCK-OUT DETAIL



PARAPET STEEL BEARING PLATE DETAIL

(5 each individual 125x125x16 (5x5x5/8) steel plates with centered 25 (1) holes may be substituted for the plate shown.)

FILE NAME =	USER NAME = quigleyml	DESIGNED -	REVISED -	STATE OF ILLINOIS DEPARTMENT OF TRANSPORTATION	PRE-MGS EFFECTIVE 4-1-06 TRAFFIC BARRIER TERMINAL TYPE 6 STANDARD 631031-05	F.A. RTE.	SECTION	COUNTY	TOTAL SHEETS	SHEET NO.	
c:\pwork\pwork\quigleyml\d02588015\036829-ah-t-DETAILS.dgn	DRAWN -	REVISED -	VAR.				VAR.	35	27		
PLOT SCALE = 50.0000' / IN.	CHECKED -	REVISED -									
PLOT DATE = Apr 07, 2011 - 11:35:44 AM	DATE -	REVISED -									
					SCALE:	SHEET NO.	OF SHEETS	STA.	TO STA.	FED. ROAD DIST. NO.	ILLINOIS FED. AID PROJECT