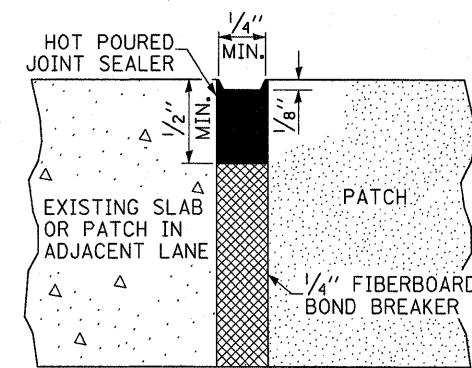
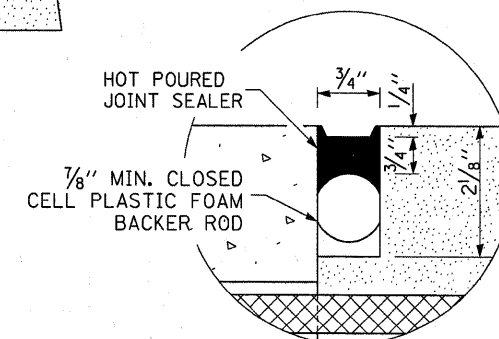


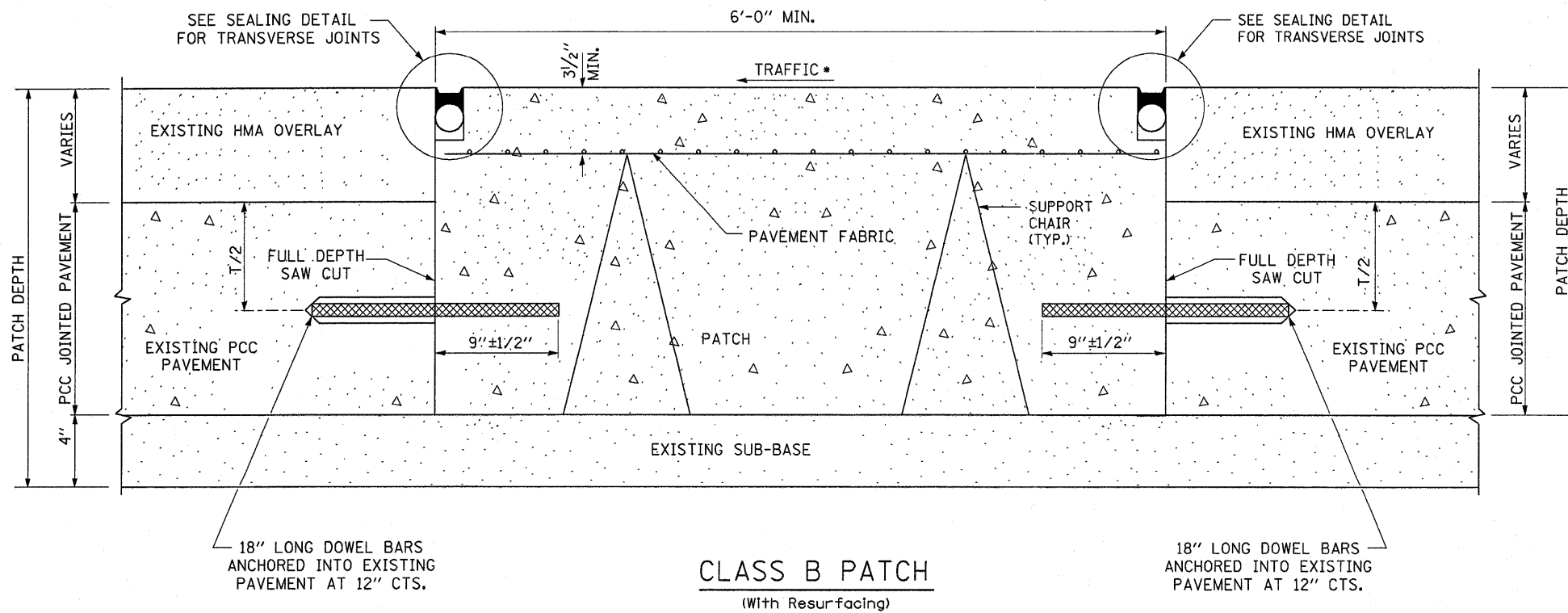
DOWEL BAR TABLE		
PAVEMENT THICKNESS	DOWEL BAR DIAMETER	HOLE DIAMETER
8" OR GREATER	1/2"	1 5/8"
7" THRU 7.99"	1/4"	1 3/8"
LESS THAN 7"	1"	1 1/8"



SEALING DETAIL
CENTERLINE JOINT



SEALING DETAIL
TRANVERSE JOINT



CLASS B PATCH
(With Resurfacing)

GENERAL NOTES

THE TRANSVERSE JOINTS FOR CLASS PATCHES SHALL ALIGN WITH JOINTS OR CRACKS IN THE ADJACENT LANE WHENEVER POSSIBLE.
SEE STANDARD 420701 FOR DETAILS OF PAVEMENT FABRIC.