

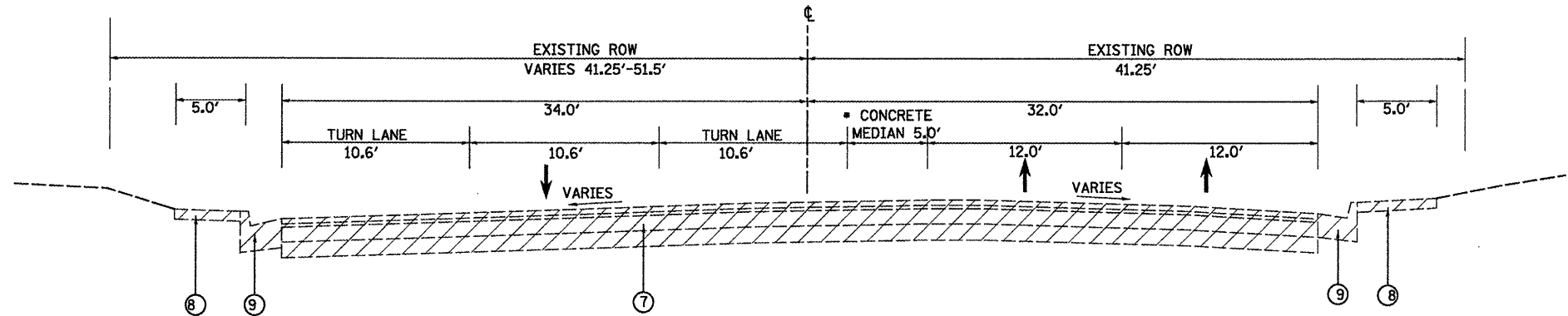
- - STA. 104+55.00 - STA. 104+18.00 (0'-11.0')  
 - - - STA. 103+82.50 - STA. 104+55.00 (0'-4')  
 - - - - STA. 104+47.65 - STA. 104+70.90

**EXISTING MAIN STREET**

STA. 103+82.54 TO STA. 104+70.89  
NTS

**LEGEND**

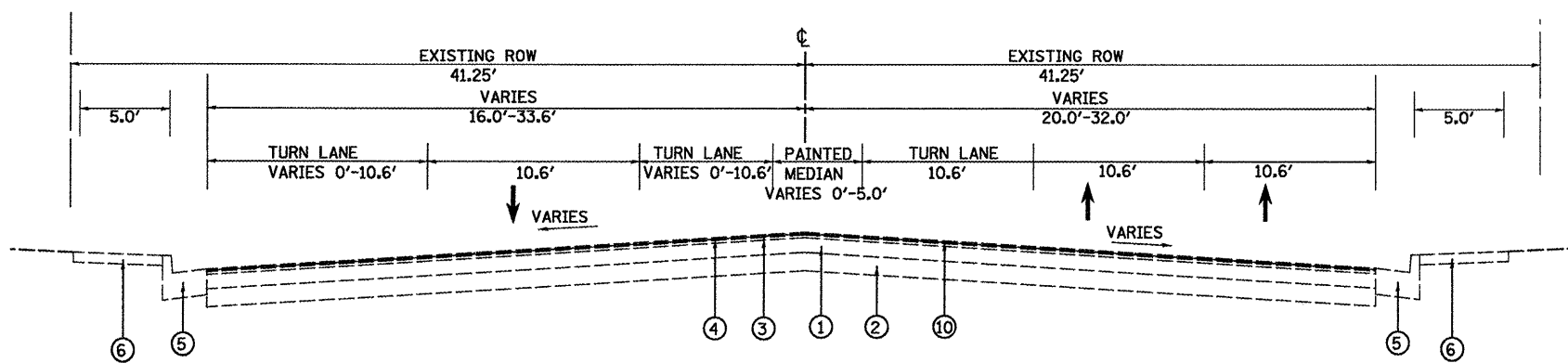
- 1 EXISTING HOT-MIX ASPHALT PAVEMENT
- 2 EXISTING STABILIZED BASE COURSE 3" - 8"
- 3 EXISTING HOT-MIX ASPHALT BINDER COURSE 1-1/2"
- 4 EXISTING HOT-MIX ASPHALT SURFACE COURSE 1-1/2"
- 5 EXISTING COMBINATION CONCRETE CURB AND GUTTER, TYPE B-6.24
- 6 EXISTING SIDEWALK, 4"
- 7 PAVEMENT REMOVAL
- 8 SIDEWALK REMOVAL
- 9 COMBINATION CURB AND GUTTER REMOVAL
- 10 HOT-MIX ASPHALT SURFACE REMOVAL, 3/4"



**EXISTING MAIN STREET**

- - STA. 106+11.00 - STA. 107+12.90

STA. 104+70.89 TO STA. 107+12.90  
NTS



**EXISTING MAIN STREET**

STA. 107+12.90 TO STA. 113+74.41  
NTS

FILE NAME = P:\P-29\2193 - I00T DUR\Task-04\DWG\SH1\04_D4-940009-typical07.dgn	USER NAME = _2193 Task 4_	DESIGNED RP	REvised -	<p>INFRASTRUCTURE ENGINEERING 456 Fulton Street   Suite 104   Peoria, IL 61602 P: 309.693.3000   F: 309.693.0210   www.infrastructure-eng.com</p>	<p align="center"><b>STATE OF ILLINOIS</b> <b>DEPARTMENT OF TRANSPORTATION</b></p>	TYPICAL SECTIONS		F.A.P. RTE. 585/22	SECTION (41Z, 135) R, N, (1CS) I	COUNTY FULTON	TOTAL SHEETS 125	SHEET NO. 09	
PLOT SCALE = NTS	CHECKED JRS	REvised -	EXISTING MAIN STREET			CONTRACT NO. 68877		ILLINOIS FED. AID PROJECT D4-94-009-09					
PLOT DATE = 12/21/2010	DATE 12/21/2010	REvised -	SCALE: NTS			SHEET NO. 03 OF 08 SHEETS	STA.	TO STA.					