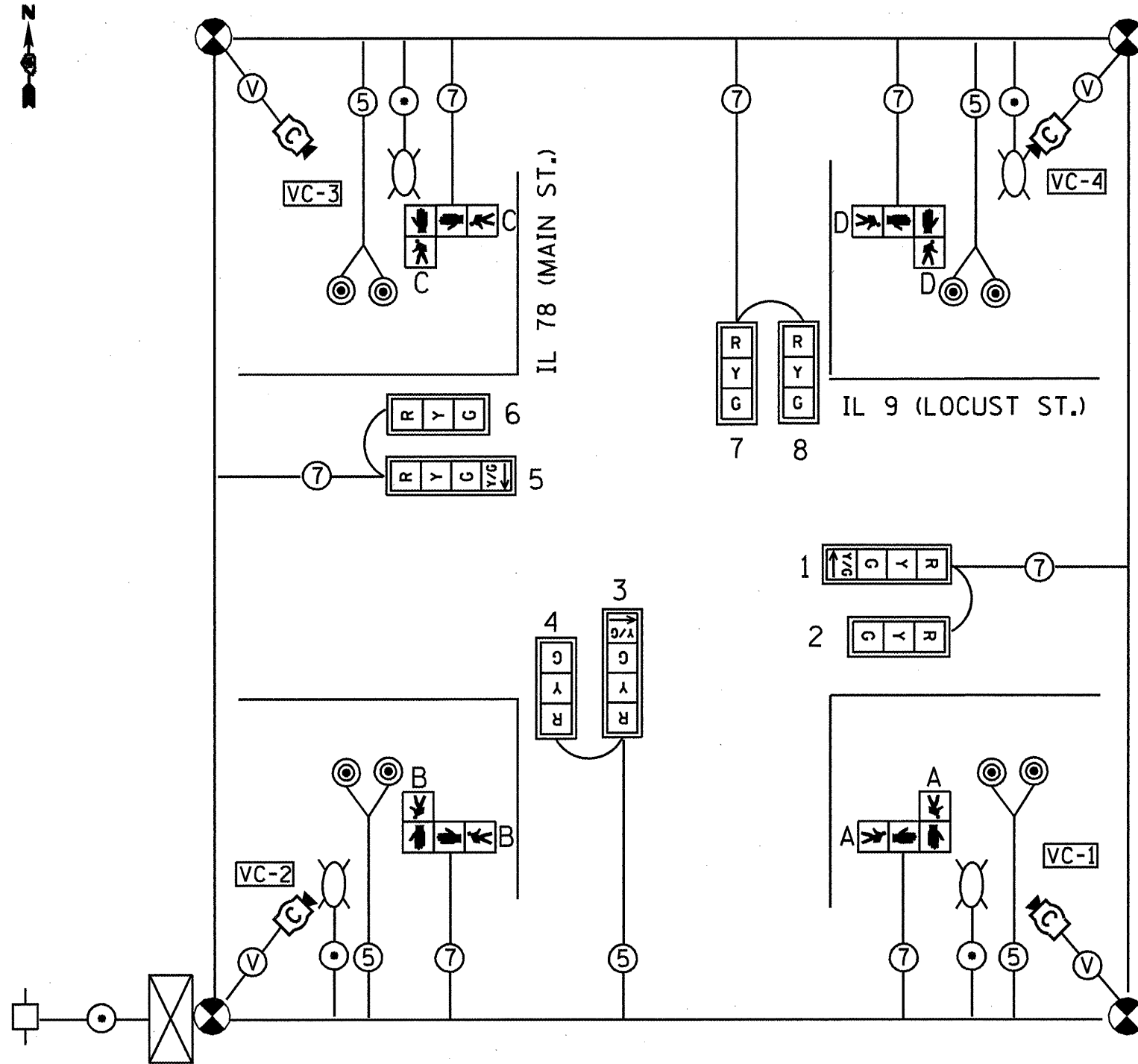
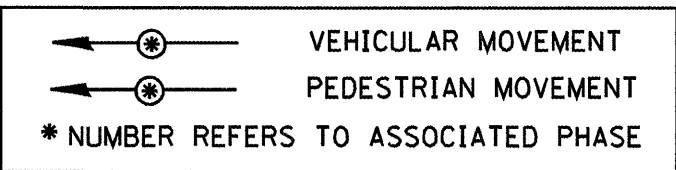
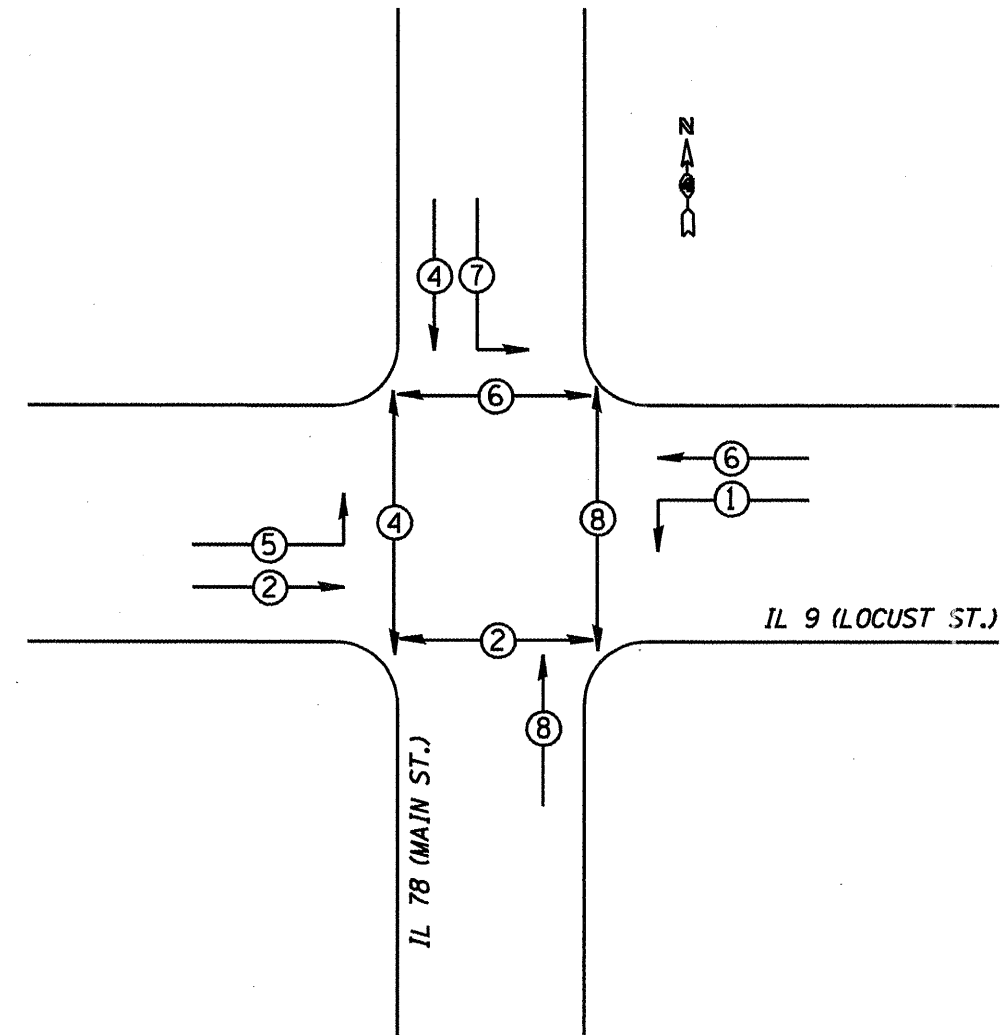


TEMPORARY CABLE DIAGRAM



TEMPORARY PHASE DIAGRAM

NAME OF INTERSECTION IL 9 (LOCUST) & IL 78 (MAIN)  
 EXISTING CONTROLLER: FULL ACTUATED CONTROLLER  
 (TS-2), TYPE IV CABINET, TS-2 BACKPANEL (16 POS.)



TRAFFIC SIGNALS LEGEND

- |  |                                      |  |                               |  |  |
|--|--------------------------------------|--|-------------------------------|--|--|
|  | TEMP. CONTROLLER (SIGNAL)            |  | TEMP. 5/C NO. 14 SIGNAL CABLE |  | TEMP. SERVICE INSTALLATION                         |
|  | TEMP. 3 SEC. SIGNAL HEAD W/BACKPLATE |  | TEMP. VIDEO DETECTION CABLE   |  | TEMP. VIDEO DETECTION CAMERA                       |
|  | TEMP. 3 SEC. SIGNAL HEAD             |  | TEMP. CABLE (1/C NO. 6) X 3   |  | TEMP. LUMINAIRE (PC CONTROL) 250W HPS, MULTI-MOUNT |
|  | TEMP. PEDESTRIAN SIGNAL HEAD         |  | TEMP. PEDESTRIAN PUSHBUTTON   |  |  |

NOT TO SCALE  
 TRAFFIC SIGNALS  
 SHEET 10 OF 23

|             |                     |            |           |   |   |           |               |         |         |                     |                           |
|-------------|---------------------|------------|-----------|---|---|-----------|---------------|---------|---------|---------------------|---------------------------|
| FILE NAME * | USER NAME * #USERS* | DESIGNED - | REVISED - | <b>STATE OF ILLINOIS<br/>DEPARTMENT OF TRANSPORTATION</b> | <b>IL 9 (LOCUST ST.) &amp; IL 78 (MAIN ST.)<br/>TEMPORARY TRAFFIC SIGNAL CABLE PLAN AND PHASE DIAGRAM</b> |           | F-ALL<br>RTE. | SECTION | COUNTY  | TOTAL SHEETS        | SHEET NO.                 |
| #FILELS     |                     | DRAWN -    | REVISED - |   | SCALE:  | SHEET NO. | OF SHEETS     | STA.    | TO STA. | FED. ROAD DIST. NO. | ILLINOIS FED. AID PROJECT |
|             |                     | CHECKED -  | REVISED - |   |   |           |               |         |         |                     |                           |
|             |                     | DATE -     | REVISED - |   |   |           |               |         |         |                     |                           |