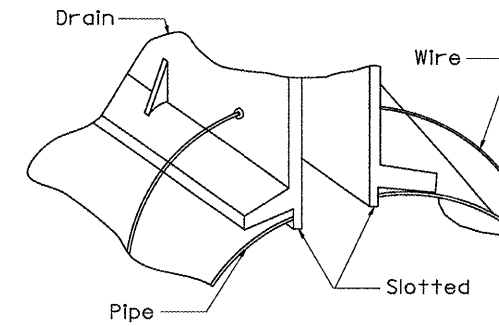
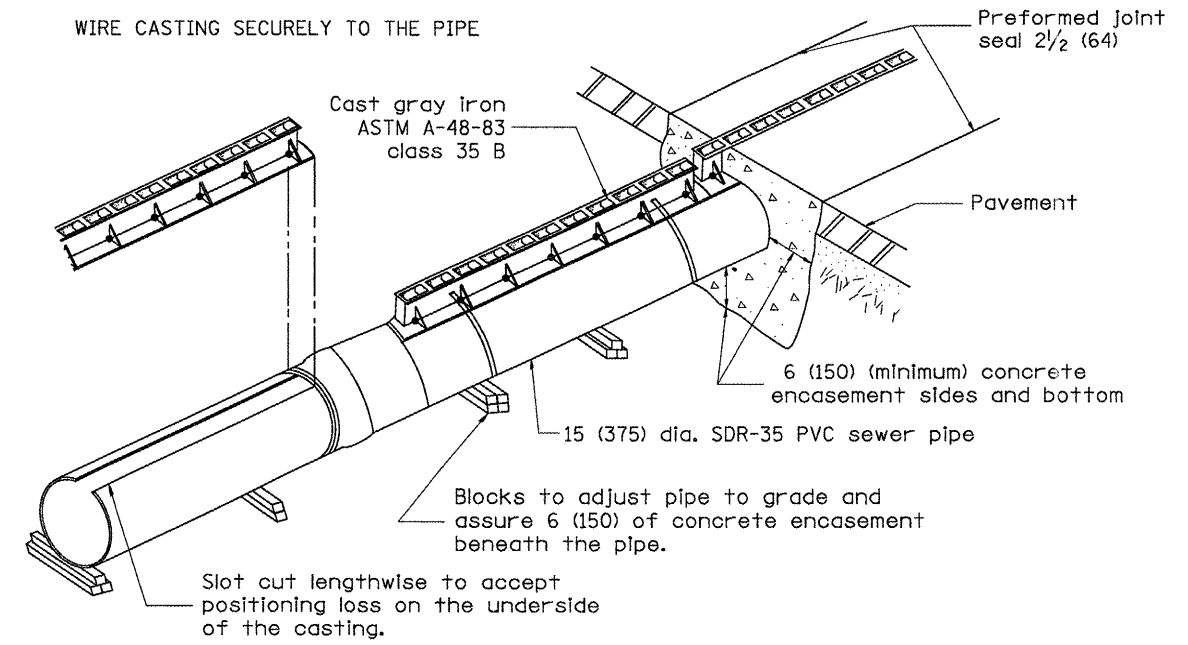
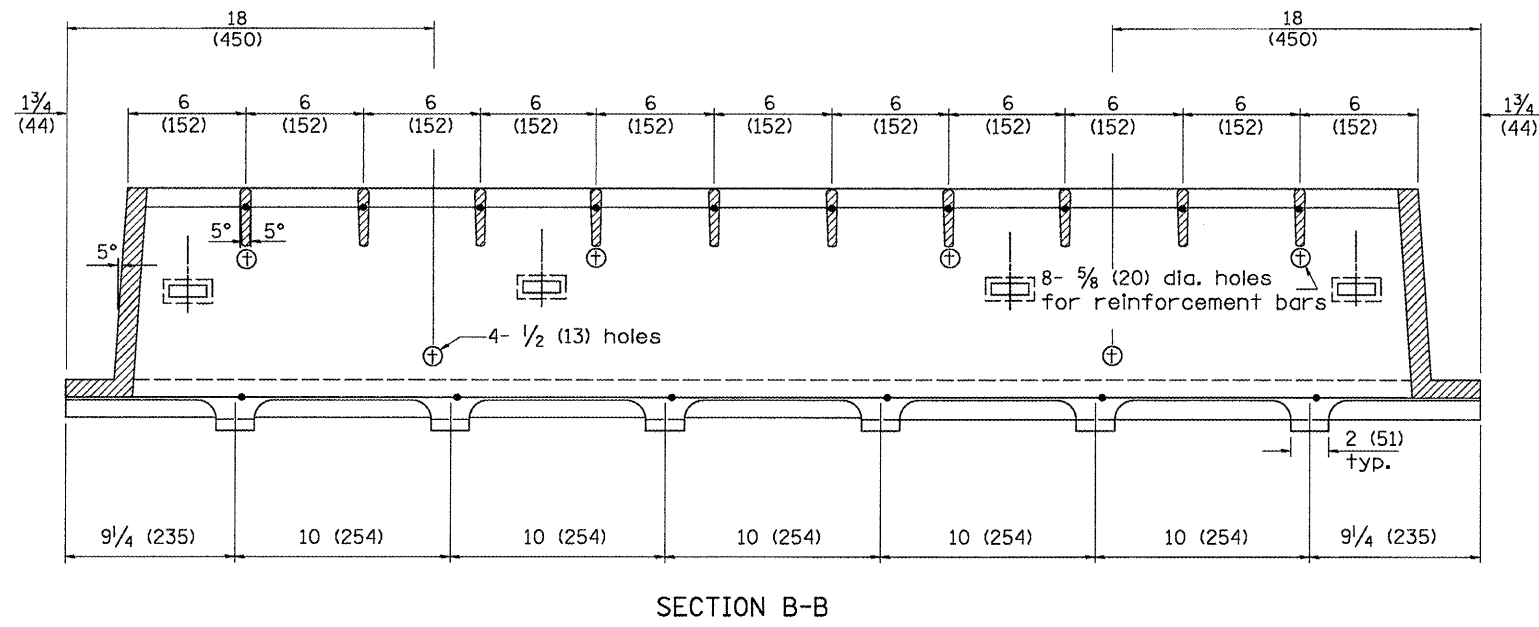
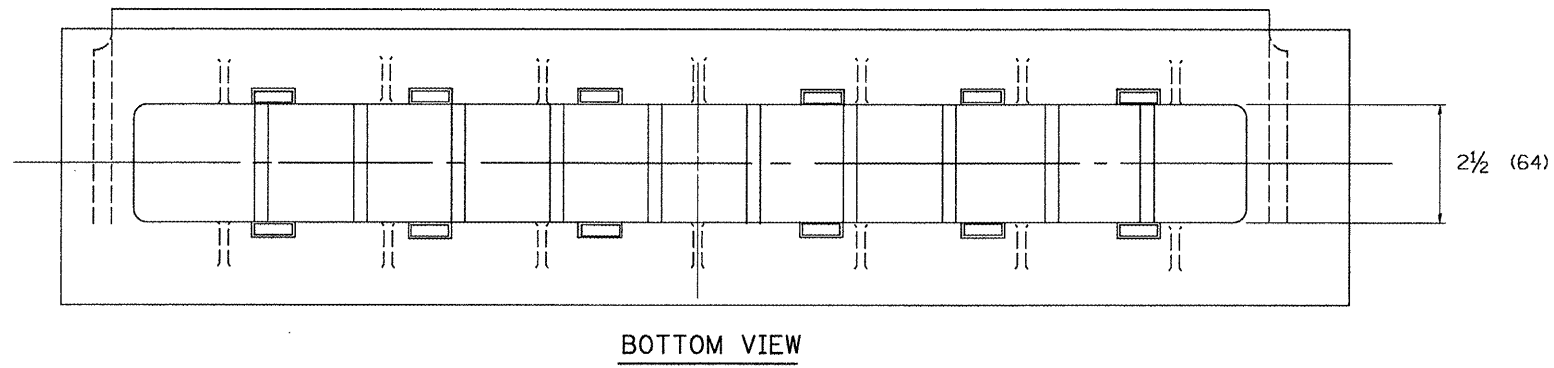
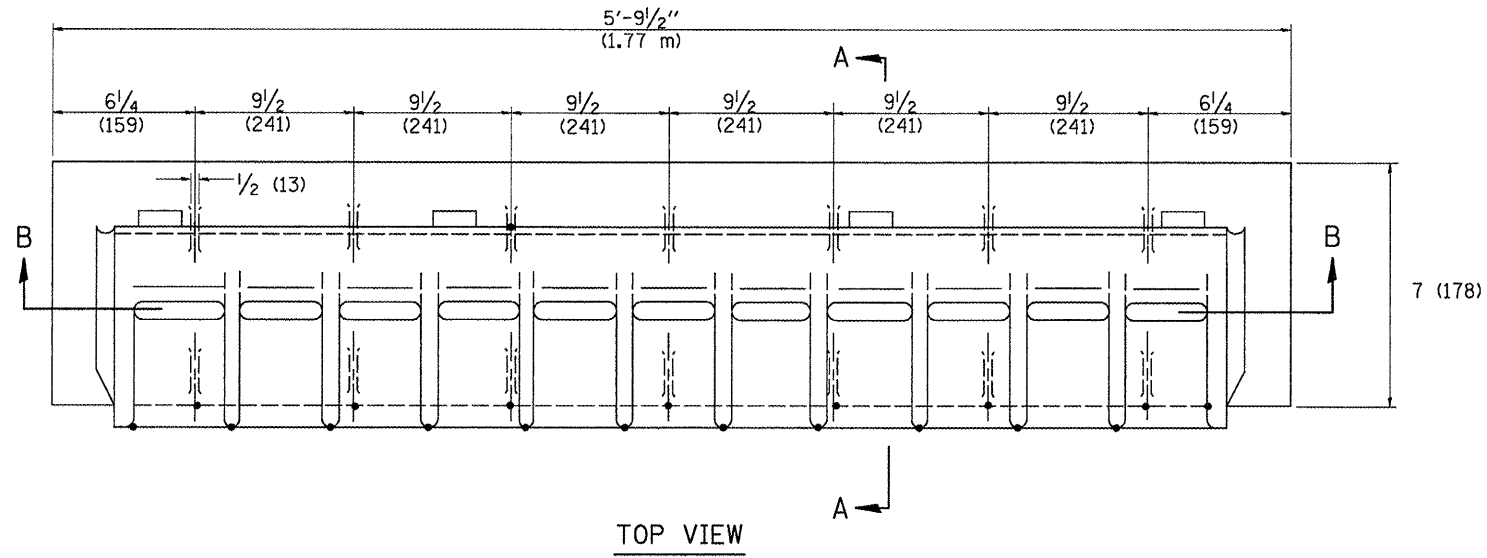
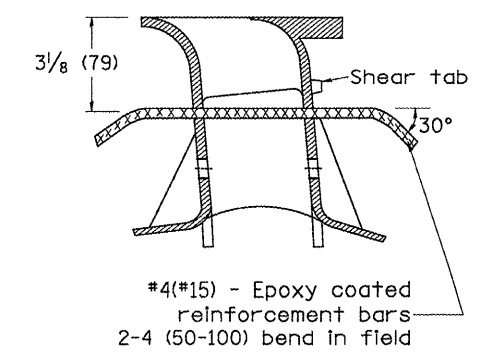
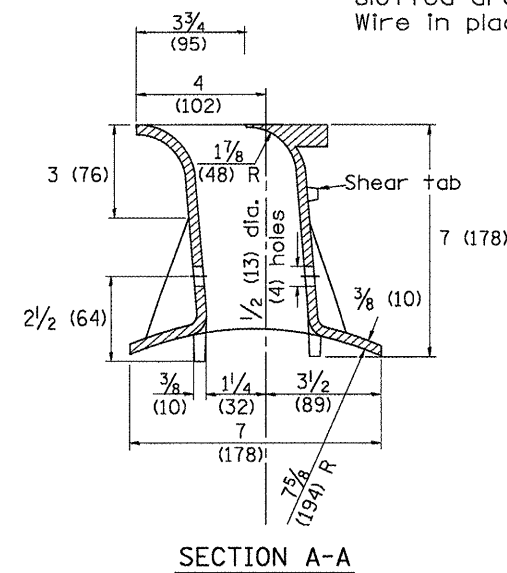


Designer Notes:
 1. This drawing is based upon a 1985 Neenah drawing (New Products D -0002). Contact Neenah for new shop drawing prior to inclusion in plans.



NOTE:
 Saw slot in pipe. Insert slotted drain in pipe. Wire in place.



All dimensions are in Inches (millimeters) unless otherwise noted.

01-01-97	RENUM. B-4.10, NEW REVISION BOX	T.P.
10-16-06	REVISED TO 2007 SPEC.	M.A.

STATE OF ILLINOIS
 DEPARTMENT OF TRANSPORTATION

SLOTTED VANE DRAIN

NOT TO SCALE

F.A. RTE.	SECTION	COUNTY	TOTAL SHEETS	SHEET NO.
685/22	(41Z, 135) R, N, (1CS) I	FULTON	125	99
CONTRACT NO. 68877			ILLINOIS FED. AID PROJECT D4-94-009-09	

CADD ST. 601701-D4