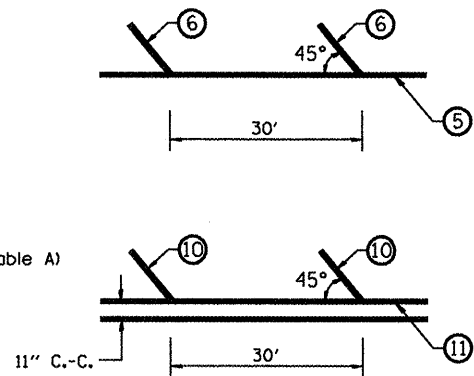


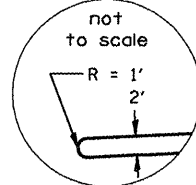
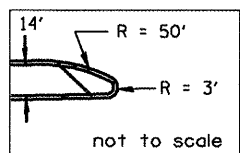
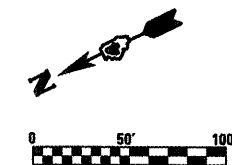
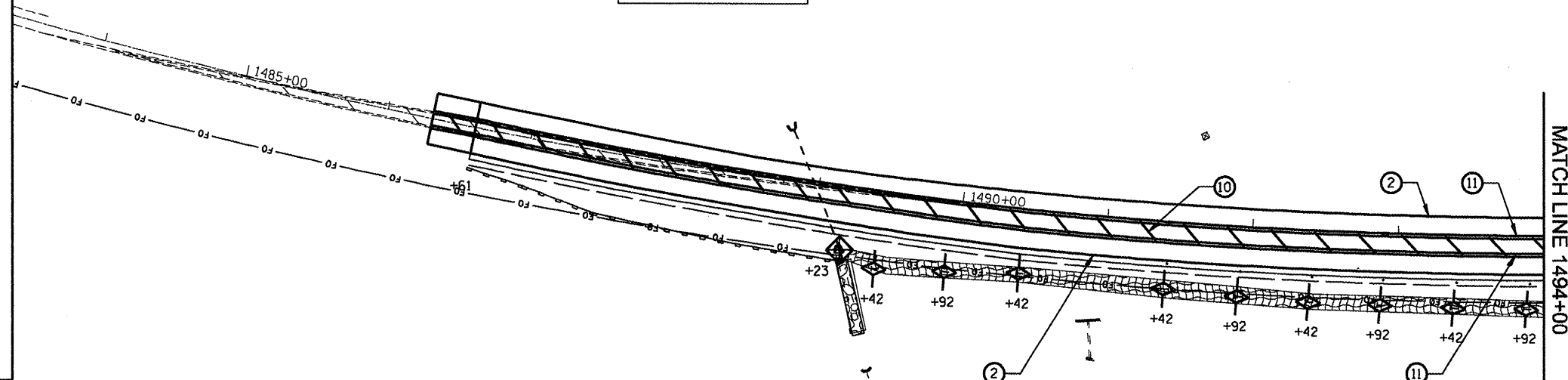
TYPICAL PAVEMENT MARKING LEGEND

- ① 4(100) Solid (Yellow)
- ② 4(100) Solid (White)
- ⑤ 8(200) Solid (White)
- ⑥ 12(300) Diagonal (White)
- ⑦ 24(600) Stop Line (White)
- ⑧ Letters & Arrows
- ⑩ 12(300) Diagonal (Yellow) (See Table A)
- ⑪ 4(100) Double Solid (Yellow)



- Perimeter Erosion Barrier
- Temporary Ditch Check
- Inlet & Pipe Protection

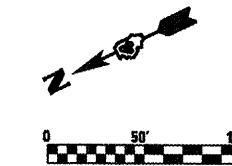
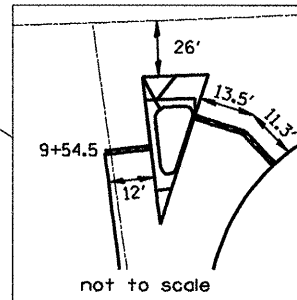
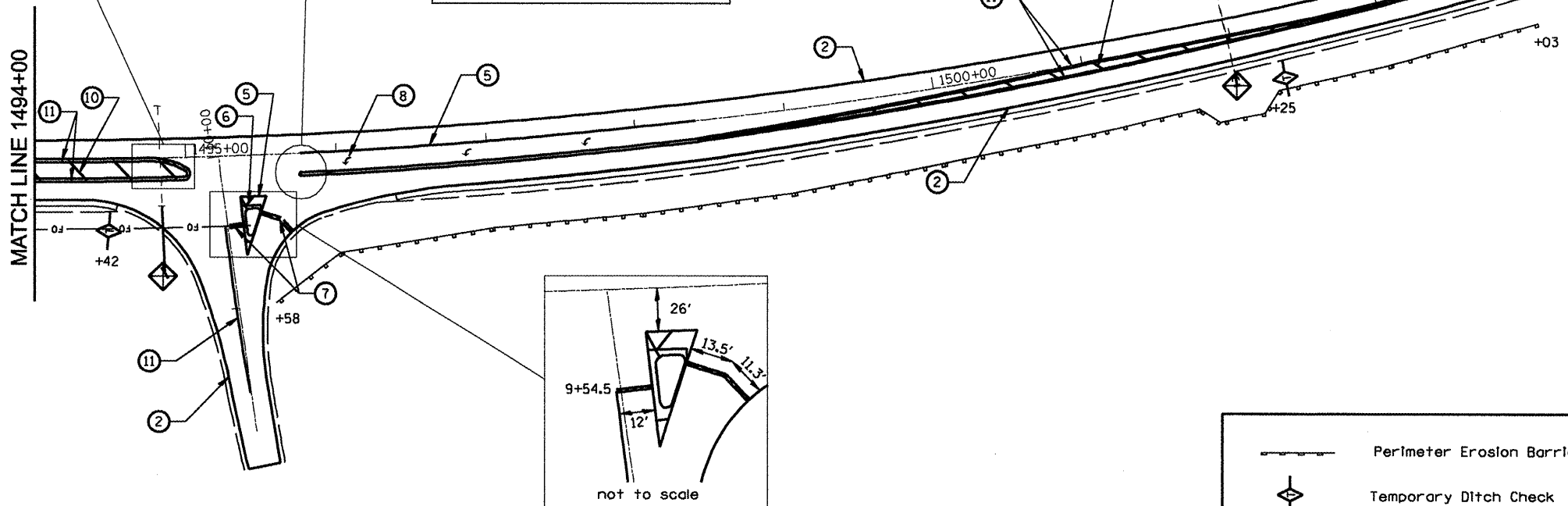
Median Taper 12' to 14'
1486+61 to 1490+46



Median Taper 2' to 7'
1498+43 to 1501+08

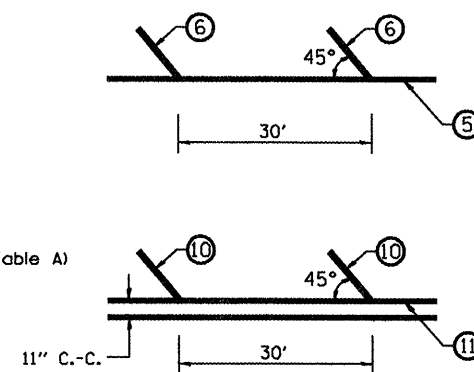
Median Taper 7' to 0'
1501+08 to 1504+03

Left Turn Lane
Full Lane (12') 1495+78 to 1498+43
Taper (12' to 0') 1498+43 to 1501+08



TYPICAL PAVEMENT MARKING LEGEND

- ① 4(100) Solid (Yellow)
- ② 4(100) Solid (White)
- ⑤ 8(200) Solid (White)
- ⑥ 12(300) Diagonal (White)
- ⑦ 24(600) Stop Line (White)
- ⑧ Letters & Arrows
- ⑩ 12(300) Diagonal (Yellow) (See Table A)
- ⑪ 4(100) Double Solid (Yellow)



- Perimeter Erosion Barrier
- Temporary Ditch Check
- Inlet & Pipe Protection

FILE NAME = 0468993-ah-plot.dgn

USER NAME = hudelsonne
PLOT SCALE = 100.0000' / IN.
PLOT DATE = 3/14/2011

DESIGNED -
DRAWN -
CHECKED -
DATE -

REVISED -
REVISED -
REVISED -
REVISED -

STATE OF ILLINOIS
DEPARTMENT OF TRANSPORTATION

PAVEMENT MARKING & EROSION CONTROL

SCALE: SHEET NO. OF SHEETS STA. TO STA.

F.A.P. RTE. 318	SECTION 4W-2, RS-3	COUNTY PEORIA	TOTAL SHEETS 37	SHEET NO. 14
CONTRACT NO. 68993				
ILLINOIS FED. AID PROJECT				