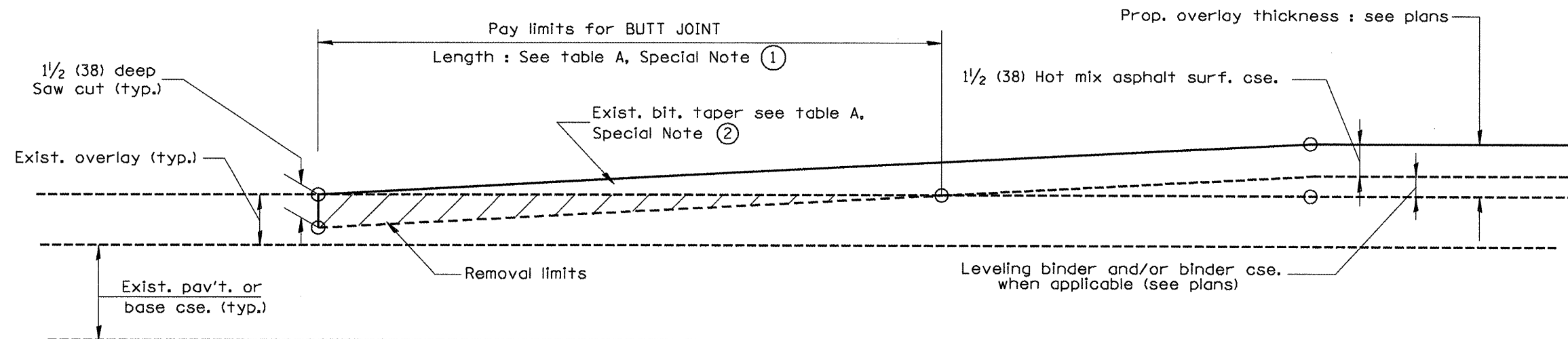
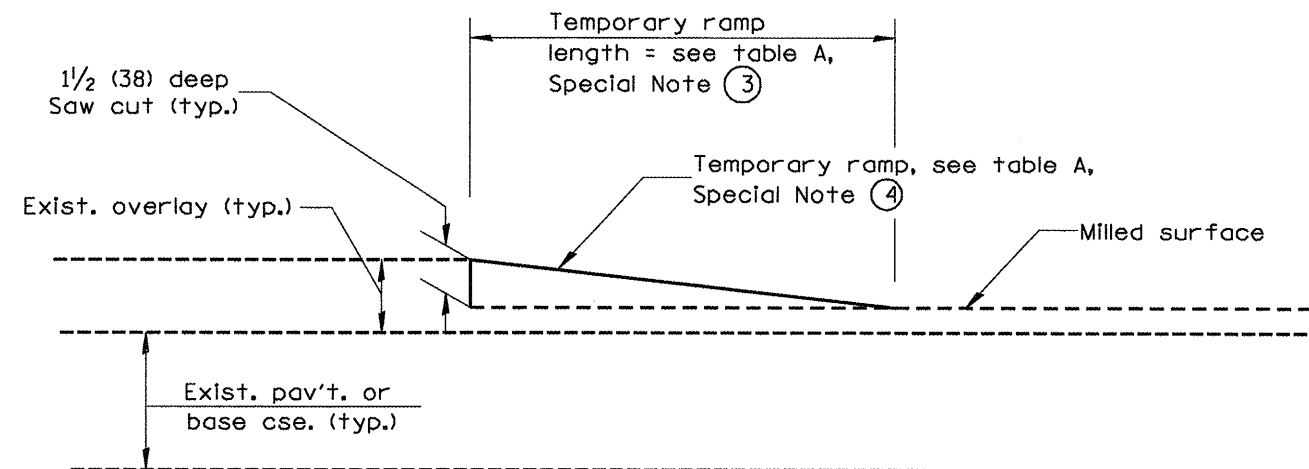


**CASE 3 : WITH HOT MIX ASPHALT SURFACE REMOVAL (COLD MILLING)  
TIE-IN TO EXISTING BITUMINOUS TAPER**



**CASE 4 : NO HOT MIX ASPHALT SURFACE REMOVAL (COLD MILLING)  
TIE-IN TO EXISTING BITUMINOUS TAPER**



**DETAIL TEMPORARY RAMP**

All dimensions are in inches (millimeters) unless otherwise noted.

				<b>STATE OF ILLINOIS DEPARTMENT OF TRANSPORTATION</b>		<b>BUTT JOINTS</b>		SHT. 2 OF 3 CADD STD. 406101-D4		F.A.P. RTE. 318		SECTION 4W-2, RS-3		COUNTY PEORIA		TOTAL SHEETS 37		SHEET NO. 19		CONTRACT NO. 68993	
				NOT TO SCALE						FED. ROAD DIST. NO.		ILLINOIS FED. AID PROJECT									