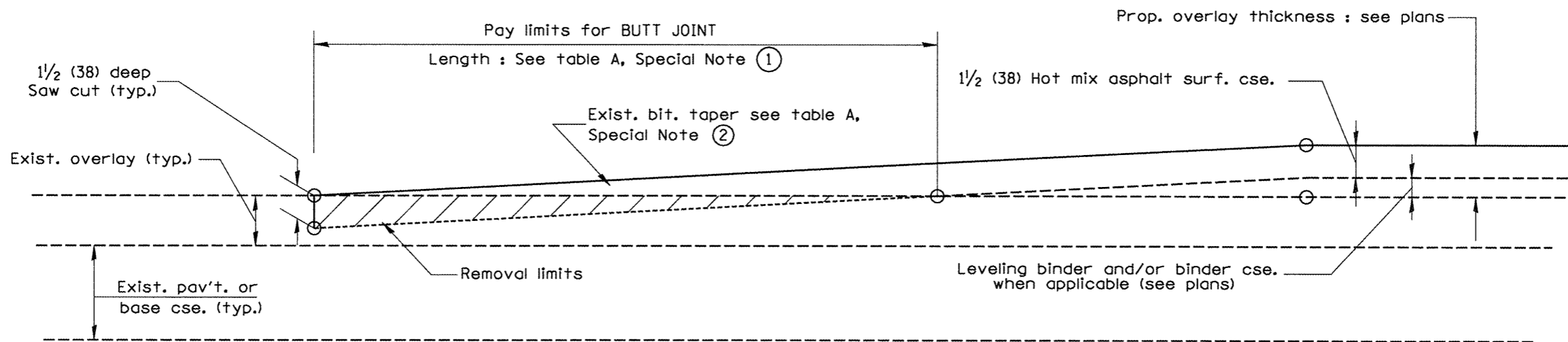
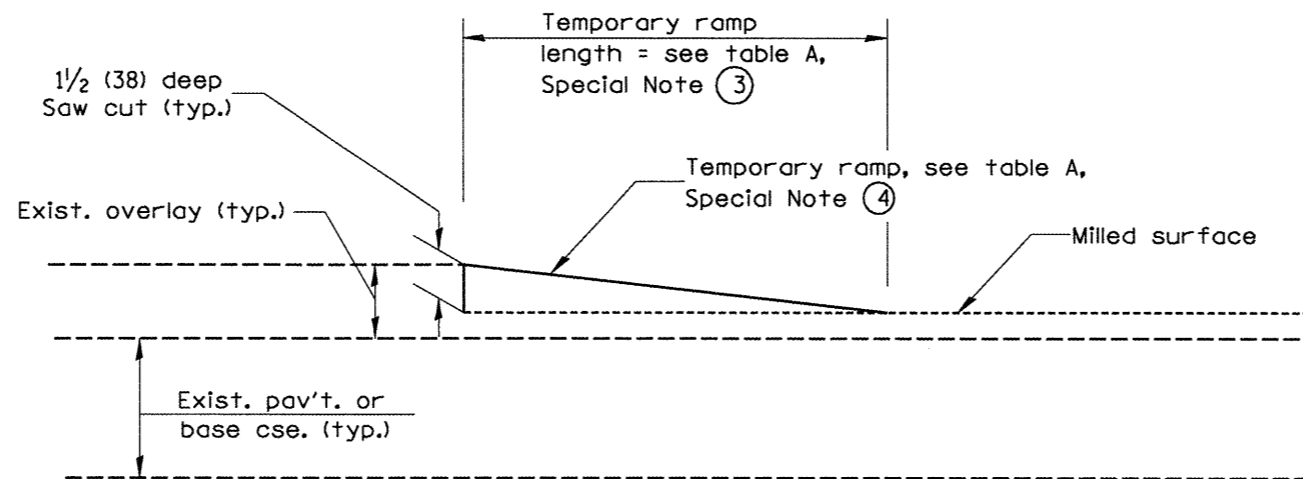


**CASE 3 : WITH HOT MIX ASPHALT SURFACE REMOVAL (COLD MILLING)
TIE-IN TO EXISTING BITUMINOUS TAPER**



**CASE 4 : NO HOT MIX ASPHALT SURFACE REMOVAL (COLD MILLING)
TIE-IN TO EXISTING BITUMINOUS TAPER**



DETAIL TEMPORARY RAMP

All dimensions are in inches (millimeters) unless otherwise noted.

STATE OF ILLINOIS
DEPARTMENT OF TRANSPORTATION

BUTT JOINTS

NOT TO SCALE

SHI_2_0E_3
CAD_01_406101-04

F.A.P. RTE.	SECTION	COUNTY	TOTAL SHEETS	SHEET NO.
22	135RS-7	FULTON	29	27
CONTRACT NO.				68A32
FED. ROAD DIST. NO. [ILLINOIS] FED. AID PROJECT				