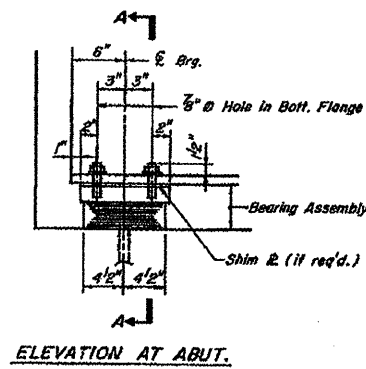
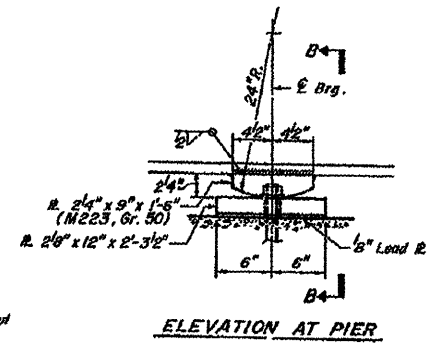
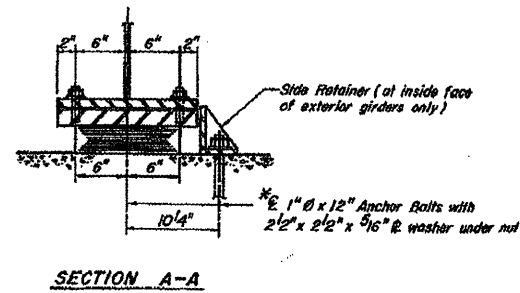


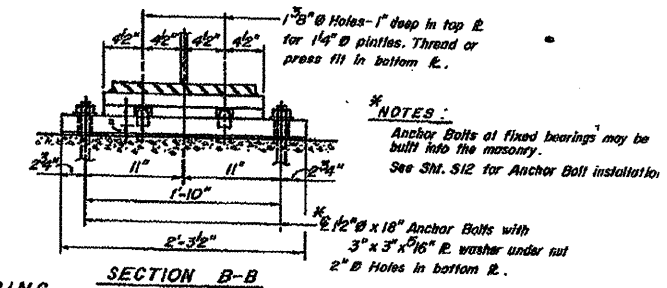
LOCATION 1 090-0138



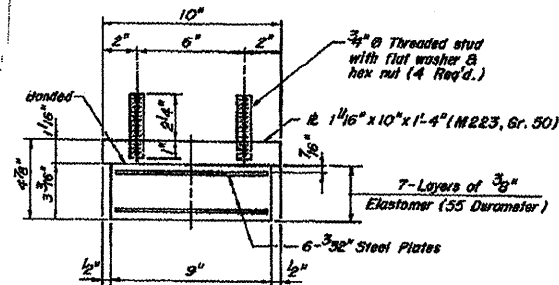
TYPE I ELASTOMERIC EXP. BRG.
(18 Required)



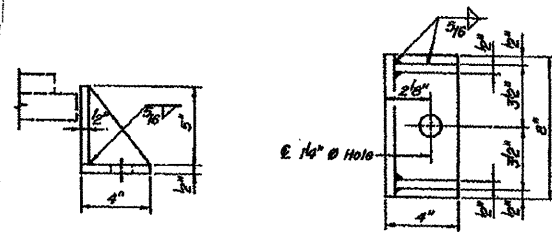
FIXED BEARING
(9 Required)



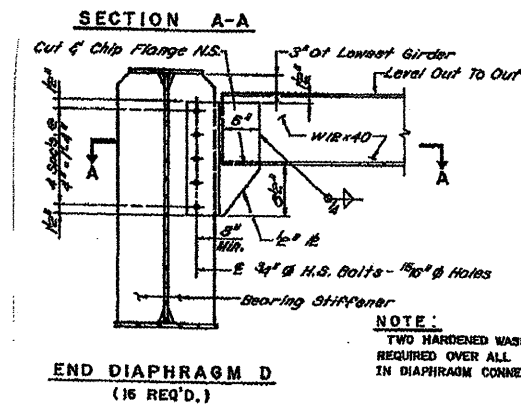
NOTES:
Anchor Bolts of fixed bearings may be built into the masonry.
See Sht. S12 for Anchor Bolt installation.



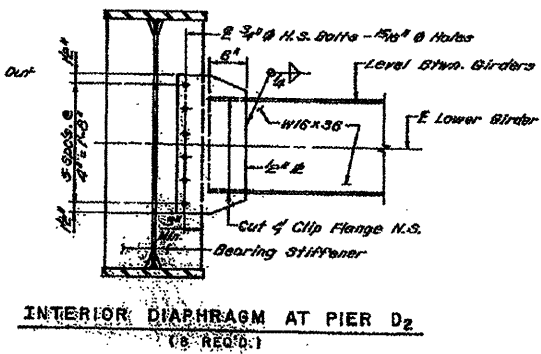
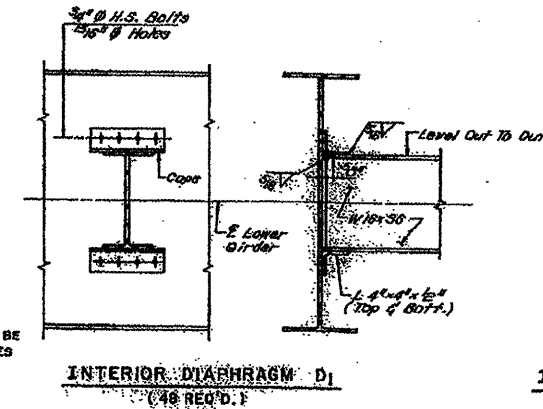
Note: Shim E's shall not be placed under Bearing Assembly.



Equivalent rolled angle with stiffeners will be allowed in lieu of welded plates.



NOTE:
TWO HARDENED WASHERS SHALL BE REQUIRED OVER ALL 1/2" Ø HOLES IN DIAPHRAGM CONNECTIONS.



Bearings and Diaphragms

FILE NAME = June 17 2011.dgn	USER NAME = ing1stj	DESIGNED - ---	REVISED - -----	STATE OF ILLINOIS DEPARTMENT OF TRANSPORTATION	SCALE: _____ SHEET NO. _____ OF _____ SHEETS STA. _____ TO STA. _____		F.A. - RTE. - I-155	SECTION 04 BRIDGE PAINTING 2011	COUNTY TAZEWELL	TOTAL SHEETS 10	SHEET NO. 6	
PLOT SCALE = 2.0031' / IN.	CHECKED - ---	REVISED - -----	REVISED - -----		CONTRACT NO. 68A39			ILLINOIS FED. AID PROJECT				
PLOT DATE = 3/3/2011	DATE - ---	REVISED - -----	REVISED - -----									