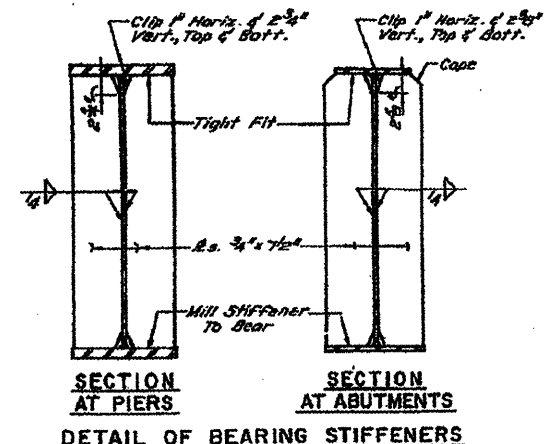
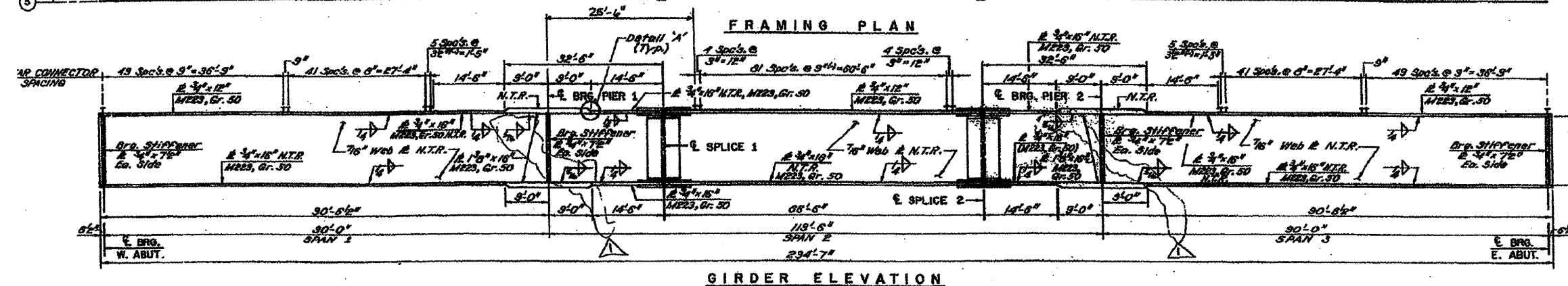
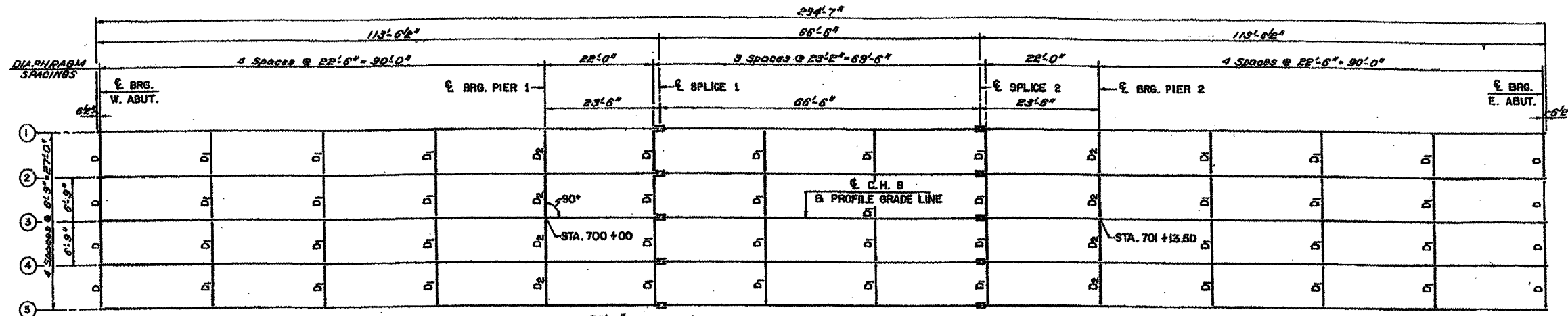


Information Only 090-0139 Location 2

42" PLATE GIRDER



Framing Plan

FILE NAME = June 17 2011.dgn	USER NAME = inglistj	DESIGNED -	REVISED -	STATE OF ILLINOIS DEPARTMENT OF TRANSPORTATION	SCALE: _____ SHEET NO. _____ OF _____ SHEETS STA. _____ TO STA. _____	F.A. RTE. =	SECTION	COUNTY	TOTAL SHEETS	SHEET NO.	
		DRAWN -	REVISED -			I-155	D4 BRIDGE PAINTING 2011	TAZEWELL	10	8	
		CHECKED -	REVISED -			CONTRACT NO. 68A39					
		DATE -	REVISED -			ILLINOIS FED. AID PROJECT					