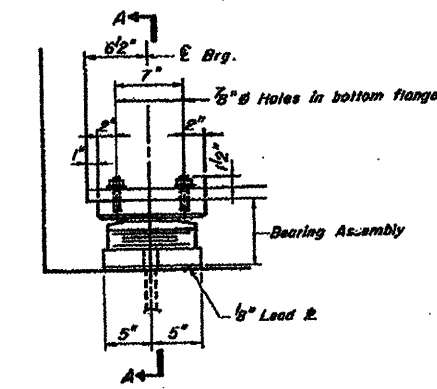
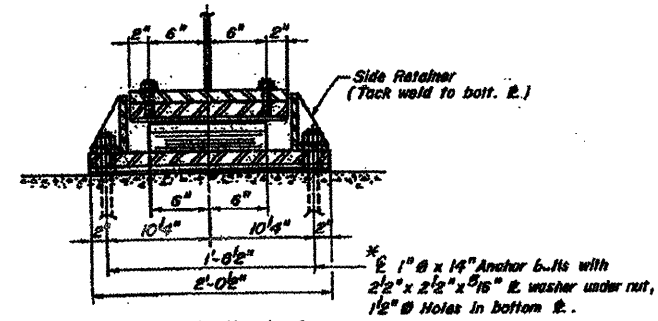


# Information Only 090-0139 Location 2



ELEVATION AT ABUT.

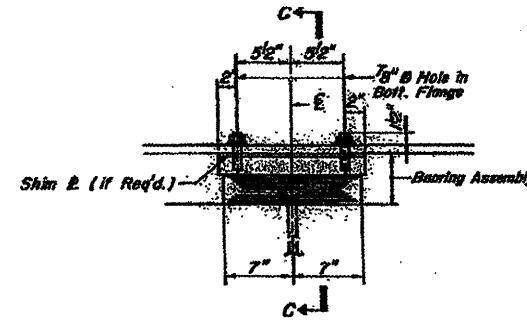
## TYPE II TFE ELASTOMERIC EXP. BRG.



SECTION A-A

### BILL OF MATERIAL

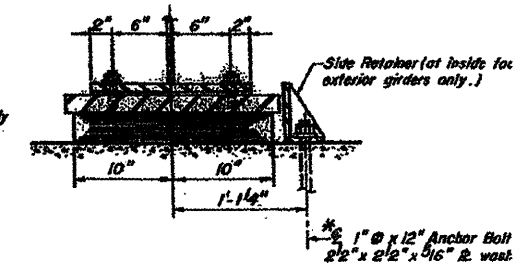
Item	Unit	Total
Elastomeric Bearing Assembly Type II	Each	10



ELEVATION AT PIER 1

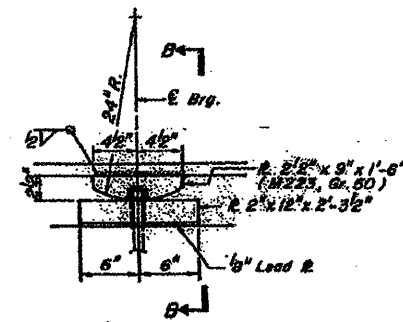
## TYPE I ELASTOMERIC EXP. BRG.

(5 Required)



SECTION C-C

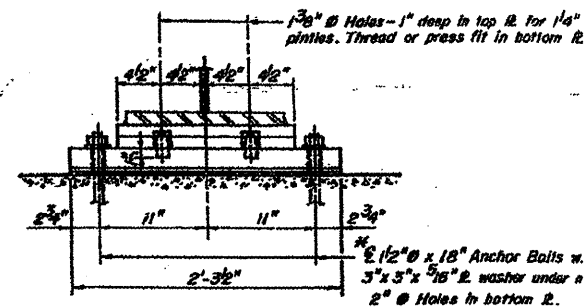
\*NOTES:  
Anchor bolts at bearings may be built into the masonry.  
See Sht. 511 for Anchor Bolt Install.



ELEVATION AT PIER 2

## FIXED BEARINGS

(5 Required)

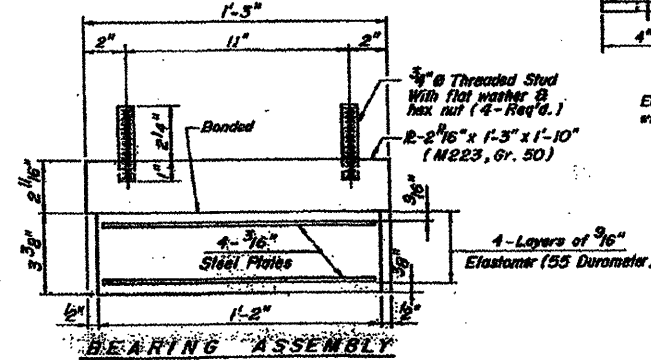


SECTION B-B

\*NOTES:  
Anchor bolts at fixed bearings may be built into the masonry.  
See Sht. 511 for Anchor Bolt Install.

### BILL OF MATERIAL

Item	Unit	Total
Elastomeric Bearing Assembly Type I	Each	5



**SIDE RETAINER**  
Equivalent rolled angle with stiffeners will be allowed in lieu of welded plates.

# Bearings