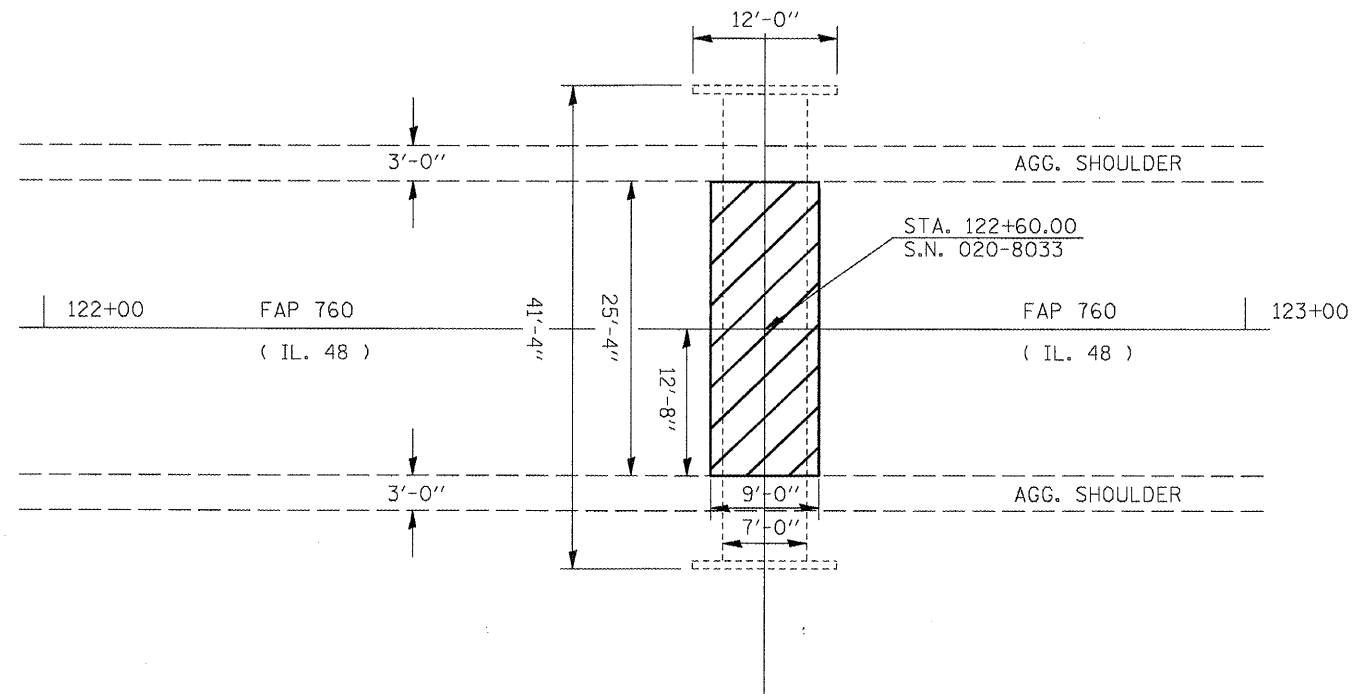


LOCATION #1

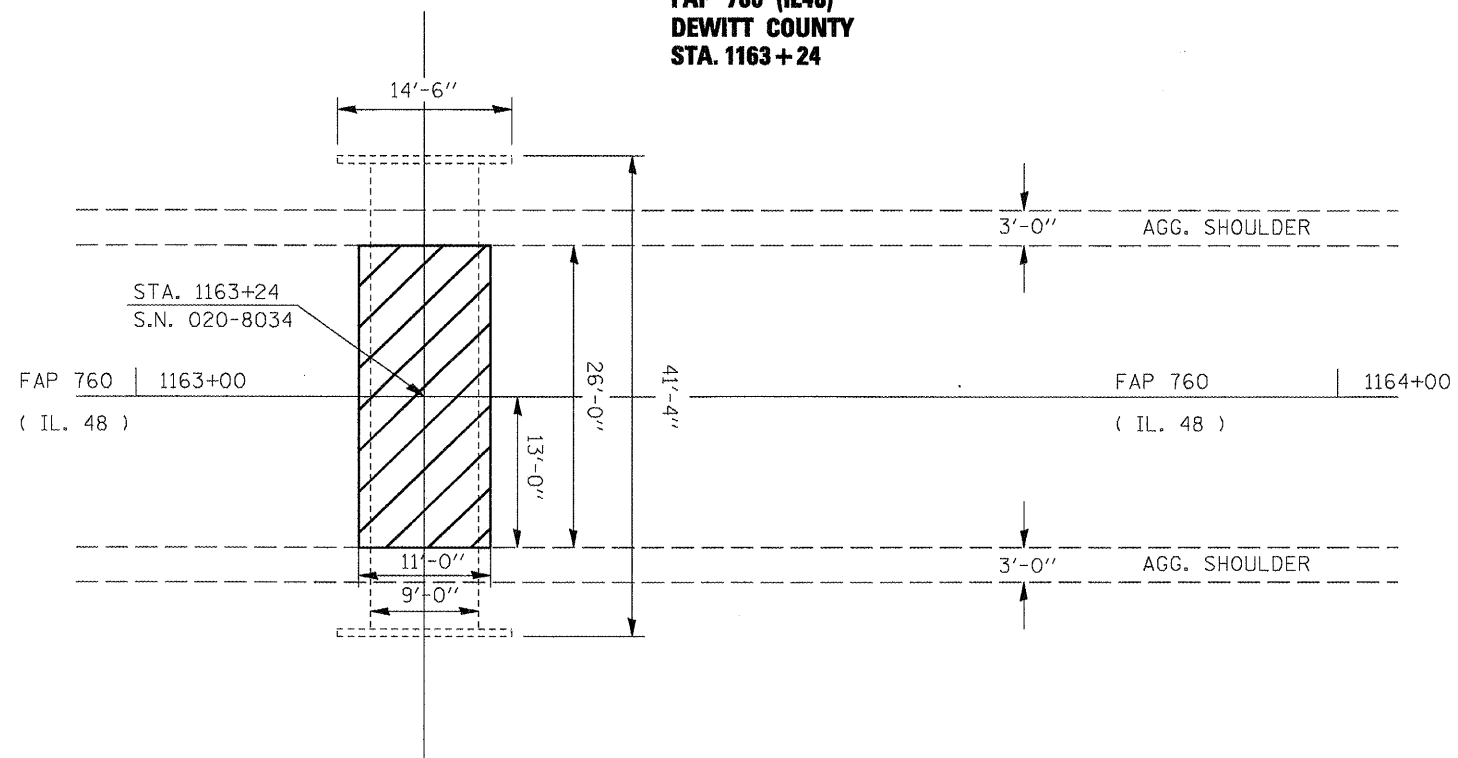
S.N. 020-8033
FAP 760 (IL48)
DEWITT COUNTY
STA. 122+60



AREA OF IMPROVEMENT
(SEE SLAB DETAILS)

LOCATION #2

S.N. 020-8034
FAP 760 (IL48)
DEWITT COUNTY
STA. 1163+24



AREA OF IMPROVEMENT
(SEE SLAB DETAILS)

• ROUTES VARIOUS
•• POSTING MITIGATION FY2011-1
••• DEWITT / MCLEAN

FILE NAME =	USER NAME = keyar-b	DESIGNED -	REVISED -
c:\pwwork\pwwork\keyar-b\0248678\0578874-shr-Plan.dgn		DRAWN -	REVISED -
		CHECKED -	REVISED -
		DATE -	REVISED -

STATE OF ILLINOIS
DEPARTMENT OF TRANSPORTATION

PLAN SHEET - LOCATION #1 & #2

SCALE: SHEET NO. OF SHEETS STA. TO STA.

F.A. RTE.	SECTION	COUNTY	TOTAL SHEETS	SHEET NO.
•	••	•••	23	7
CONTRACT NO. 70894			ILLINOIS FED. AID PROJECT	