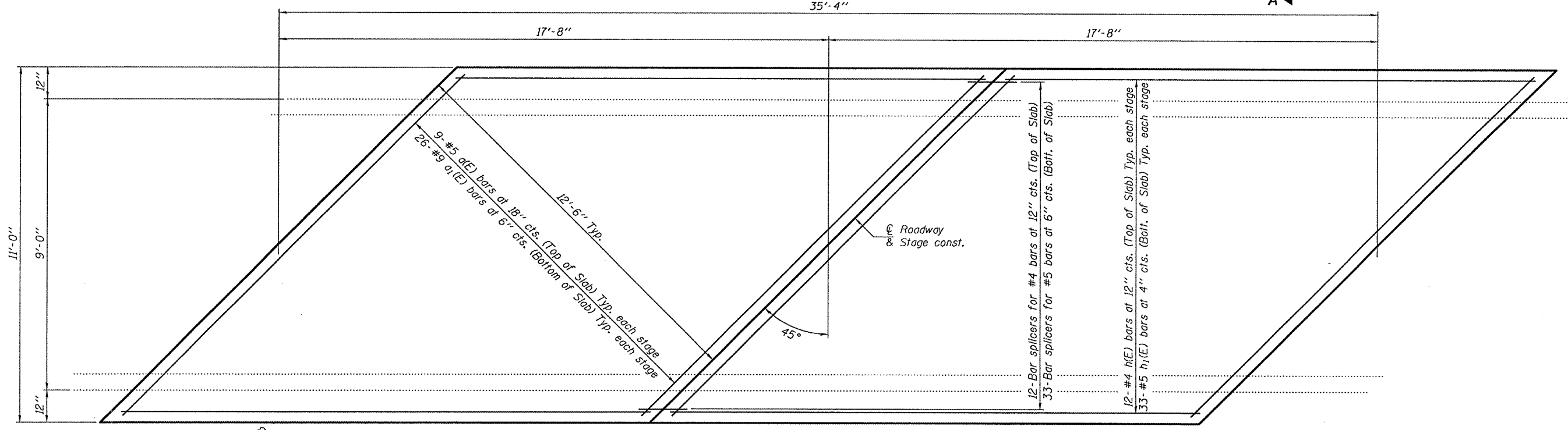


LONGITUDINAL SECTION

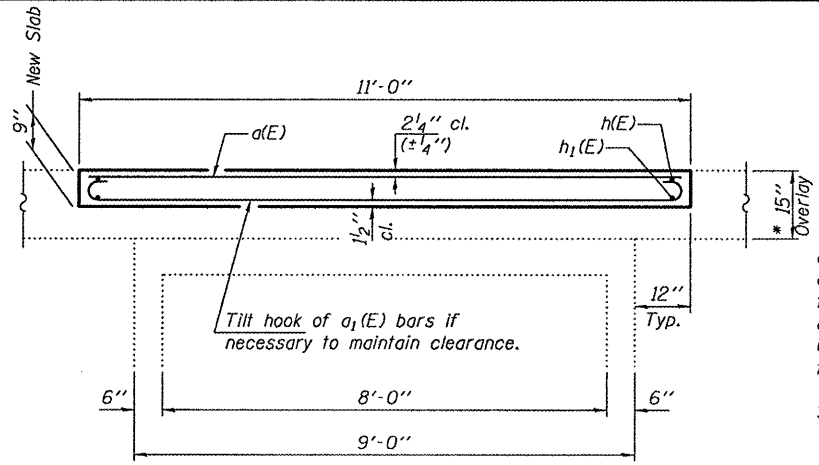


PLAN

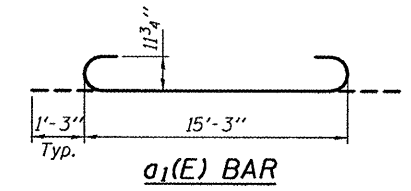
\* Remove 9" of existing HMA overlay and replace with 9" concrete slab as shown. Slope to match roadway. Cost of removal included with Hot-Mix Asphalt Surface Removal, 9"

GENERAL NOTES

Plan dimensions and details relative to existing plans are subject to nominal construction variations. The Contractor shall field verify existing dimensions and details affecting new construction and make necessary approved adjustments prior to construction or ordering of materials. Such variations shall not be cause for additional compensation for a change in scope of the work, however, the Contractor will be paid for the quantity actually furnished at the unit price bid for the work.  
 Reinforcement bars shall conform to the requirements of ASTM A 706 Gr 60. See Special Provisions.  
 Reinforcement bars designated (E) shall be epoxy coated.  
 The slab surface shall have its final finish tined according to Article 420.09(e)(1) of the Standard Specifications. Cost included with Concrete Superstructures.



SECTION A-A



DESIGN STRESSES

FIELD UNITS  
 $f'_c = 3,500$  psi  
 $f_y = 60,000$  psi (Reinf.)

BILL OF MATERIAL

Bar	No.	Size	Length	Shape	
a(E)	18	#5	15'-3"	—	
a1(E)	52	#9	17'-9"	—	
h(E)	24	#4	17'-4"	—	
h1(E)	66	#5	17'-4"	—	
Bar Splicers				Each	45
Hot-Mix Asphalt Surface Removal, 9"				Sq. Yds.	43.2
Reinforcement Bars, Epoxy Coated				Pound	4900
Concrete Superstructure				Cu. Yds.	10.8



DESIGNED <i>David Carl Puzey</i>	EXAMINED <i>John F. Kelly</i>	DATE	MARCH 14, 2011
CHECKED <i>Victor H. Jelic</i>	PASSED <i>John Carl Puzey</i>	STATE OF ILLINOIS DEPARTMENT OF TRANSPORTATION	
DRAWN <i>baliva</i>	ACTING ENGINEER OF BRIDGES AND STRUCTURES		
CHECKED <i>VH</i>	SHEET NO. 1 OF 2 SHEETS		

STATE OF ILLINOIS  
 DEPARTMENT OF TRANSPORTATION

SLAB DETAILS  
 LOCATION 3  
 SN 057-8003  
 SHEET NO. 1 OF 2 SHEETS

F.A.P. RTE. 71	SECTION POSTING MITIGATION FY2011-1	COUNTY MCLEAN	TOTAL SHEETS 23	SHEET NO. 14
CONTRACT NO. 70894			ILLINOIS FED. AID PROJECT	