

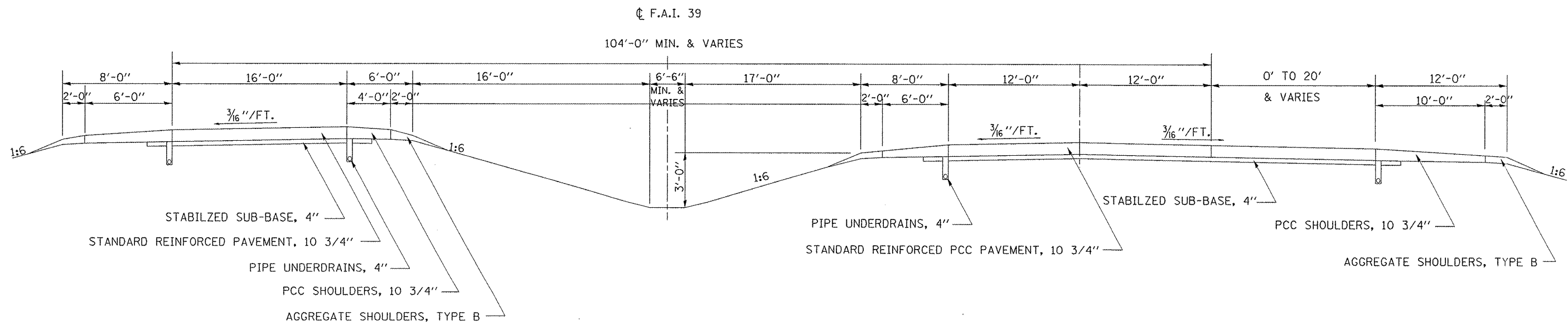
EXISTING TYPICAL SECTION F.A.I. 39

I-39 A-55 INTERCHANGE

TYPICAL I-39 RAMPS AND I-39 MAINLINE WITH AUXILIARY LANE

STA. 41+92.00 I-39 NB TO STA. 110+00.00 I-39 NB

STA. 77+32.00 I-39 SB TO STA. 110+00.00 I-39 SB



| | | | | | | | | | | |
|---|-----------------------------|----------------|-----------|---|---------------------------------|---------------------------|-------------------------|----------|--------------|-----------|
| FILE NAME = | USER NAME = berganaj | DESIGNED - AJB | REVISED - | STATE OF ILLINOIS DEPARTMENT OF TRANSPORTATION | EXISTING TYPICAL SECTION | F.A.I. RTE. | SECTION | COUNTY | TOTAL SHEETS | SHEET NO. |
| cs:\pwwork\pwwork\berganaj\0262495\0570928-eh-typical.CEL | PLOT SCALE = 40.0000' / IN. | DRAWN - AJB | REVISED - | | | 39 | D5 PATCHING 2012-2 | MCLEAN | 13 | 4 |
| PLOT DATE = 3/16/2011 | DATE = 3/4/2011 | CHECKED - | REVISED - | | | CONTRACT NO. 70928 | | | | |
| | | | | | | ILLINOIS FED. AID PROJECT | | | | |
| | | | | | | SCALE: N/A | SHEET NO. 1 OF 6 SHEETS | STA. N/A | TO STA. N/A | |