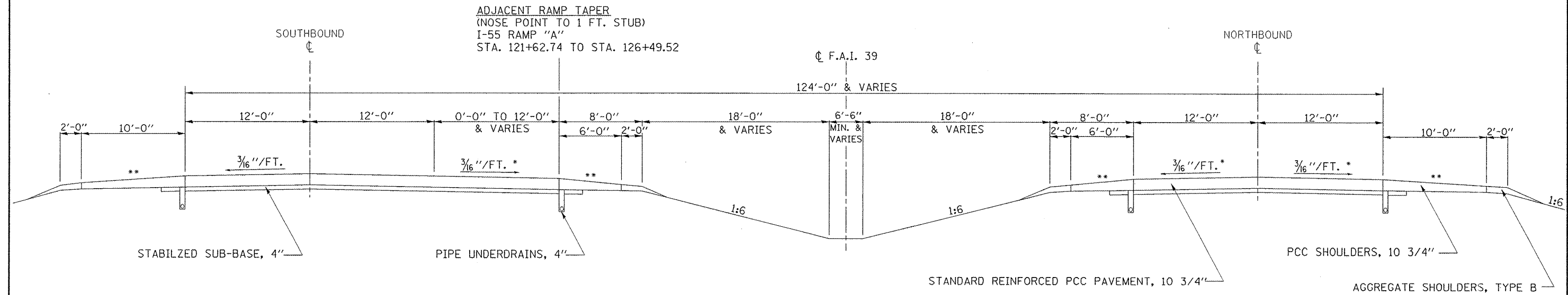


EXISTING TYPICAL SECTION F.A.I. 39

STA. 110+00.00 TO STA. 144+50.00



- * SLOPE VARIES FOR SUPERELEVATION IN CURVES
- ** SLOPE VARIES IN SUPERELEVATION WITH MAXIMUM OF 0.08 FT/FT DIFFERENCE

FILE NAME =	USER NAME = bergena.j	DESIGNED - AJB	REVISED -
ct:\pwork\p\ridot\bergena.j\d0262495\050928-shr-typical.CEL		DRAWN - AJB	REVISED -
PLOT SCALE = 40.0000" / IN.		CHECKED -	REVISED -
PLOT DATE = 3/16/2011		DATE - 3/4/2011	REVISED -

STATE OF ILLINOIS
DEPARTMENT OF TRANSPORTATION

EXISTING TYPICAL SECTION

SCALE: N/A SHEET NO. 2 OF 6 SHEETS STA. N/A TO STA. N/A

F.A.I. RTE.	SECTION	COUNTY	TOTAL SHEETS	SHEET NO.
39	D5 PATCHING 2012-2	MCLEAN	13	5
CONTRACT NO. 70928			ILLINOIS FED. AID PROJECT	