

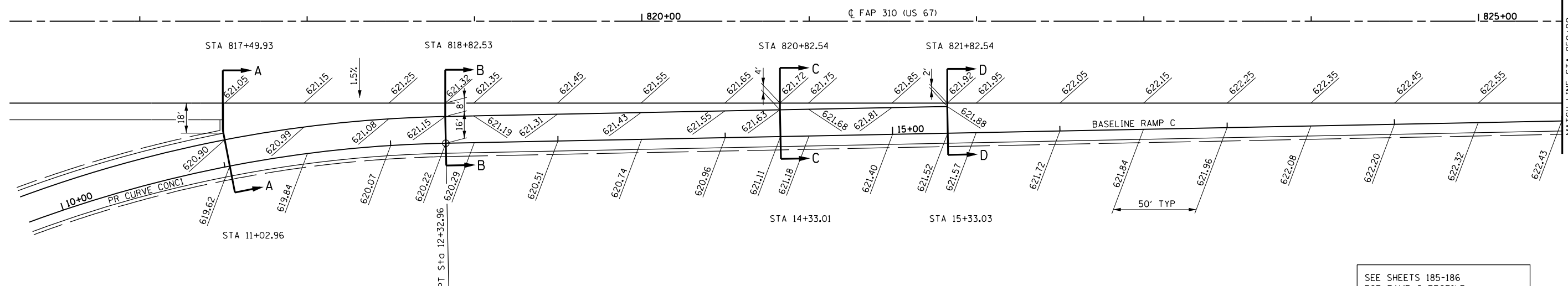
9:39:04 AM

Mar-30-2011 09:39:04AM

\$FILE\$

CONTRACT NO. 72667

F.A.P. RTE.	SECTION	COUNTY	TOTAL SHEETS	SHEET NO.
310	69-3(3HB)	MORGAN	793	318
STA.		TO STA.		
FED. ROAD DIST. NO.		ILLINOIS	FED. AID PROJECT	

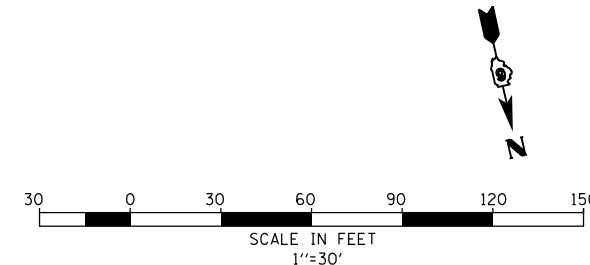
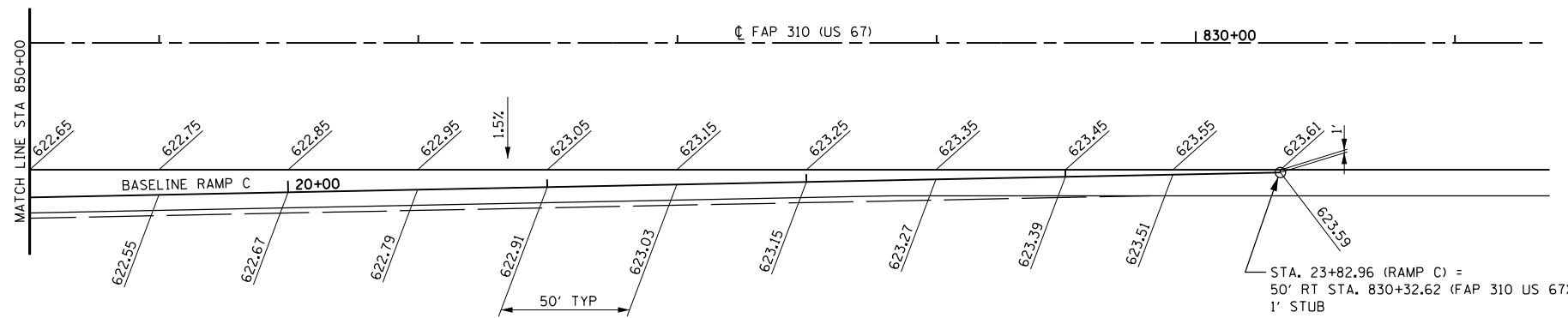


PROP. CURVE CONC1
 P.I. STA. = 10+45.63
 $\Delta = 28^\circ 52' 16''$ (RT)
 $D = 07^\circ 32' 20''$
 $R = 760.00'$
 $T = 195.64'$
 $L = 382.96'$
 $E = 24.78'$
 $e = 0.080$
 P.C. STA. = 8+50.00
 P.T. STA. = 12+32.96
 S.E. TRANSITION
 STA 7+11.00 TO STA 9+19.00

SEE SHEETS 185-186
 FOR RAMP C PROFILE

SEE STANDARD 420201 FOR ENTRANCE
 TERMINAL SECTIONS & NOTES

NOTE:
 INSIDE RAMP EDGE OF PAVEMENT ELEVATIONS ARE AT 90° ANGLES TO RAMP BASELINE. OUTSIDE MAINLINE EDGE OF PAVEMENT ELEVATIONS ARE AT 90° ANGLES FROM THE MAINLINE CENTERLINE TO THE INSIDE RAMP EDGE OF PAVEMENT ELEVATIONS.



REVISIONS	
NAME	DATE

ILLINOIS DEPARTMENT OF TRANSPORTATION
 RAMP TERMINAL DETAILS
 ENTRANCE RAMP C
 FAP 310 (US 67/IL 104)

DATE 7/06
 DRAWN BY BCJ
 CHECKED BY

SECTION 69-3(3HB)

MORGAN COUNTY