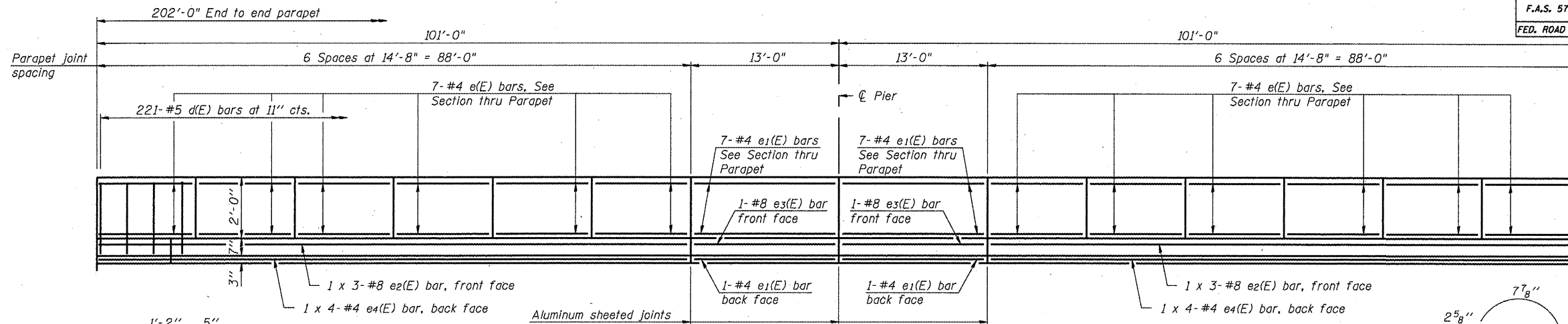


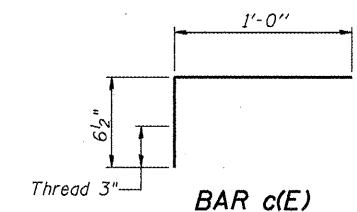
ROUTE NO.	SECTION	COUNTY	TOTAL SHEETS	SHEET NO.
F.A.S. 579	69-3(3HB)	MORGAN	793	332
FED. ROAD DIST. NO.	ILLINOIS	FED. AID PROJECT		

SHEET NO. 9
OF 20 SHEETS

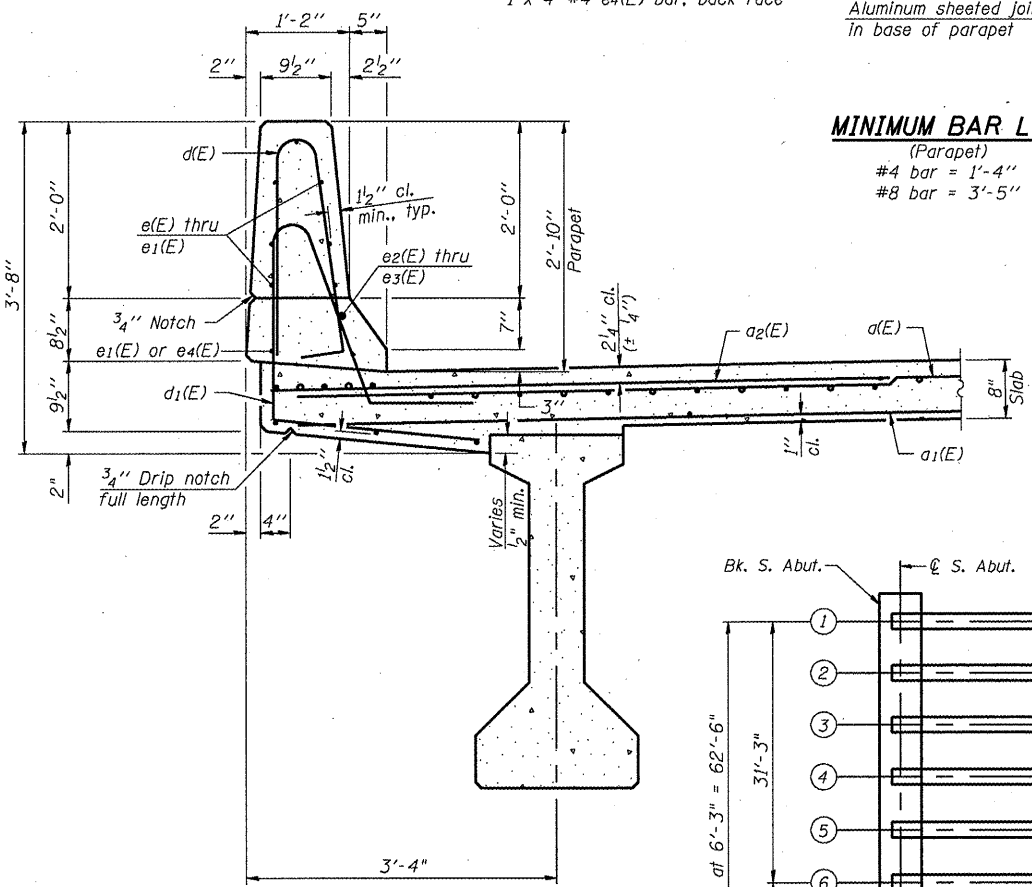
Contract No. 72667



INSIDE ELEVATION OF PARAPET

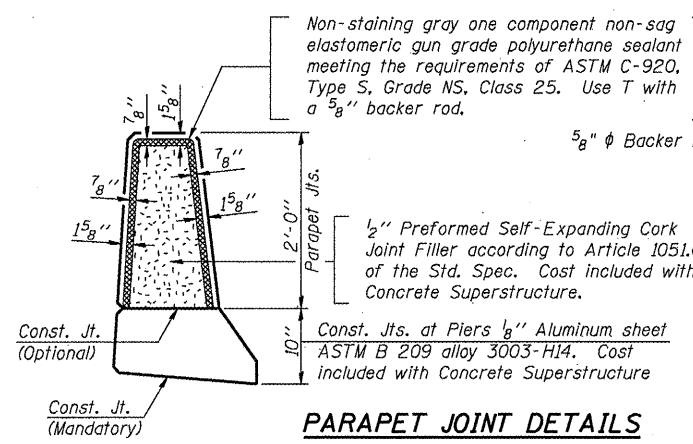


BAR c(E)

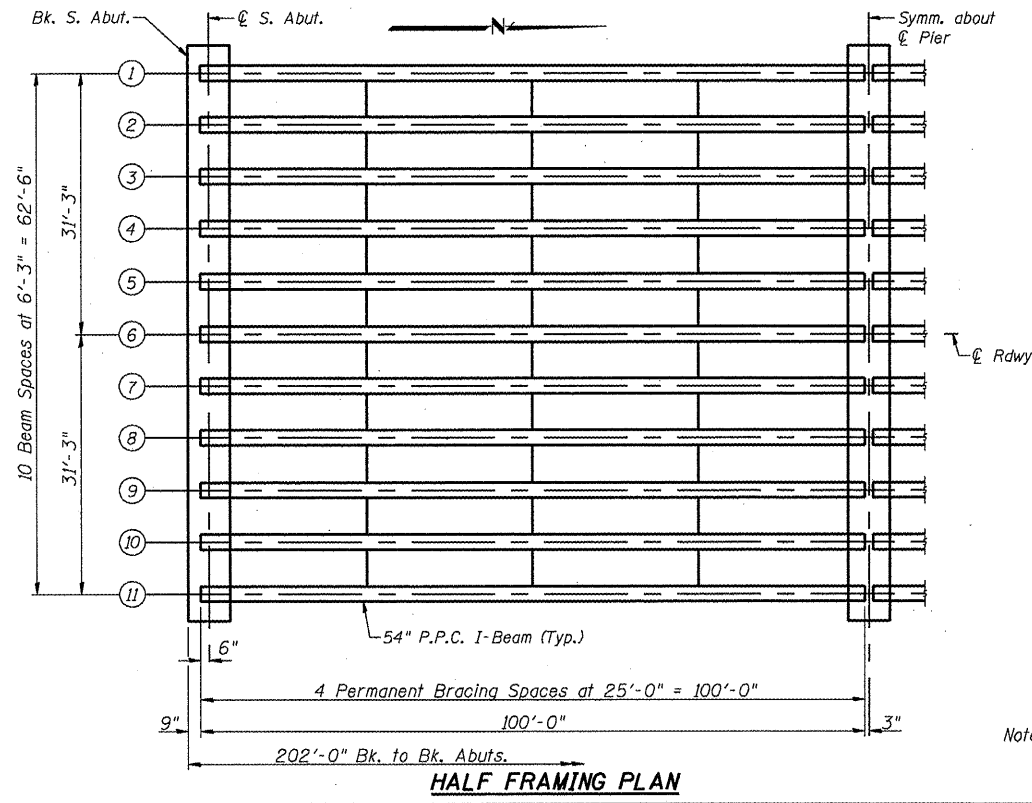


SECTION THRU PARAPET

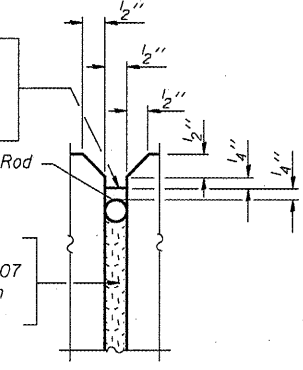
MINIMUM BAR LAP
(Parapet)
#4 bar = 1'-4"
#8 bar = 3'-5"



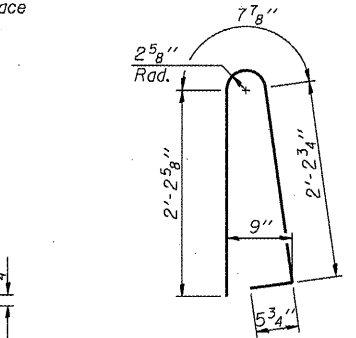
PARAPET JOINT DETAILS



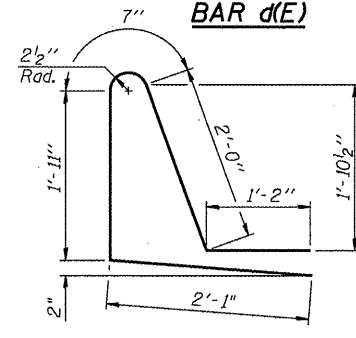
HALF FRAMING PLAN



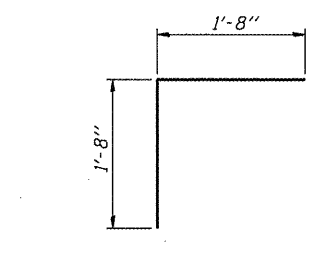
BAR s(E)



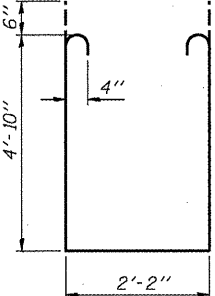
BAR d(E)



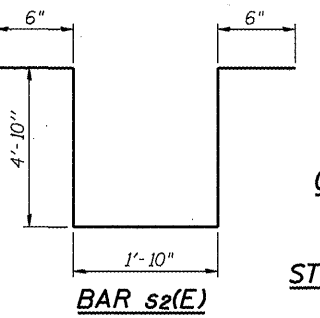
BAR d1(E)



BAR v(E)



BAR s1(E)



BAR s2(E)

**SUPERSTRUCTURE
BILL OF MATERIAL**

Bar	No.	Size	Length	Shape
a(E)	540	#5	35'-0"	—
a1(E)	729	#5	24'-9"	—
a2(E)	540	#6	6'-6"	—
b(E)	777	#5	30'-6"	—
b1(E)	102	#7	40'-0"	—
b2(E)	528	#5	26'-10"	—
c(E)	324	#5	1'-6"	┌
c1(E)	162	#5	5'-2"	—
d(E)	442	#5	5'-7"	┌
d1(E)	442	#5	7'-9"	┌
e(E)	168	#4	14'-4"	—
e1(E)	32	#4	12'-8"	—
e2(E)	12	#8	32'-8"	—
e3(E)	4	#8	12'-8"	—
e4(E)	16	#4	23'-3"	—
m(E)	8	#6	34'-11"	—
m1(E)	12	#6	35'-10"	—
m2(E)	44	#6	9'-0"	—
m3(E)	40	#6	4'-1"	—
m4(E)	4	#6	2'-1"	—
m5(E)	40	#4	5'-5"	—
m6(E)	11	#8	5'-10"	—
s(E)	132	#5	6'-1"	┌
s1(E)	112	#4	12'-10"	┌
s2(E)	50	#4	12'-6"	┌
v(E)	138	#5	3'-4"	┌
Reinforcement Bars, Epoxy Coated			Lbs.	107410
Concrete Superstructure			Cu. Yds.	503.0

Bars Indicated thus 1 x 3-#5 etc. indicates 1 line of bars with 3 lengths per line.

SUPERSTRUCTURE DETAILS
C.H. 7 (CONCORD RD.) (F.A.S. 579)
OVER U.S. 67/IL 104 (F.A.P. 310)
MORGAN COUNTY
STA. 807+81.68 - SECTION 69-3(3HB)
S.N. 069-0513

Note: See Sheet 13 of 20 for details of Permanent Bracing.