

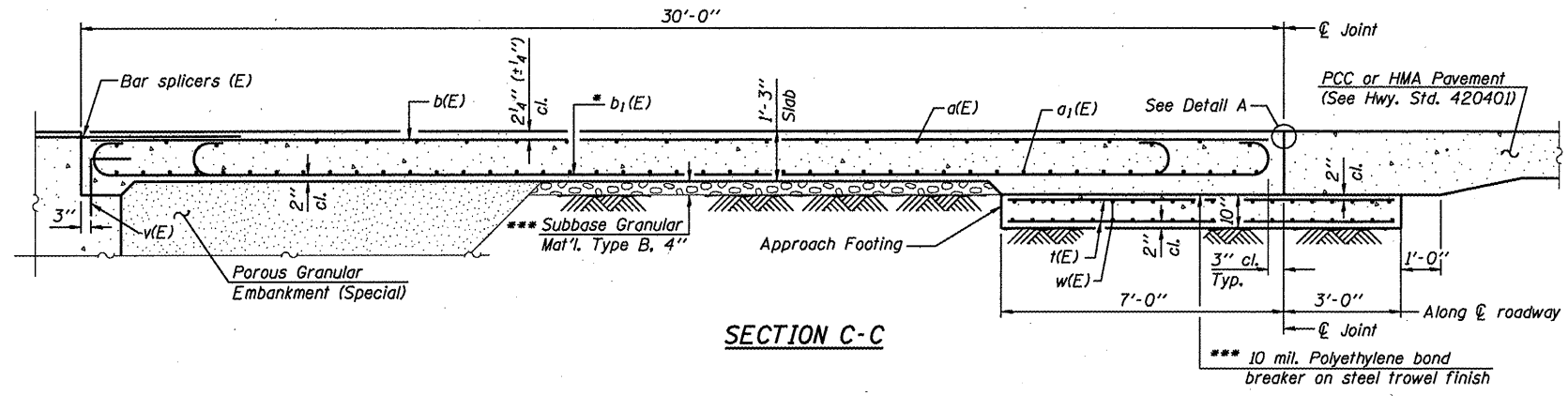
ROUTE NO.	SECTION	COUNTY	TOTAL SHEETS	SHEET NO.
F.A.S. 579	69-3(3HB)	MORGAN	793	334
FED. ROAD DIST. NO.	ILLINOIS	FED. AID PROJECT		

SHEET NO. 11
OF 20 SHEETS

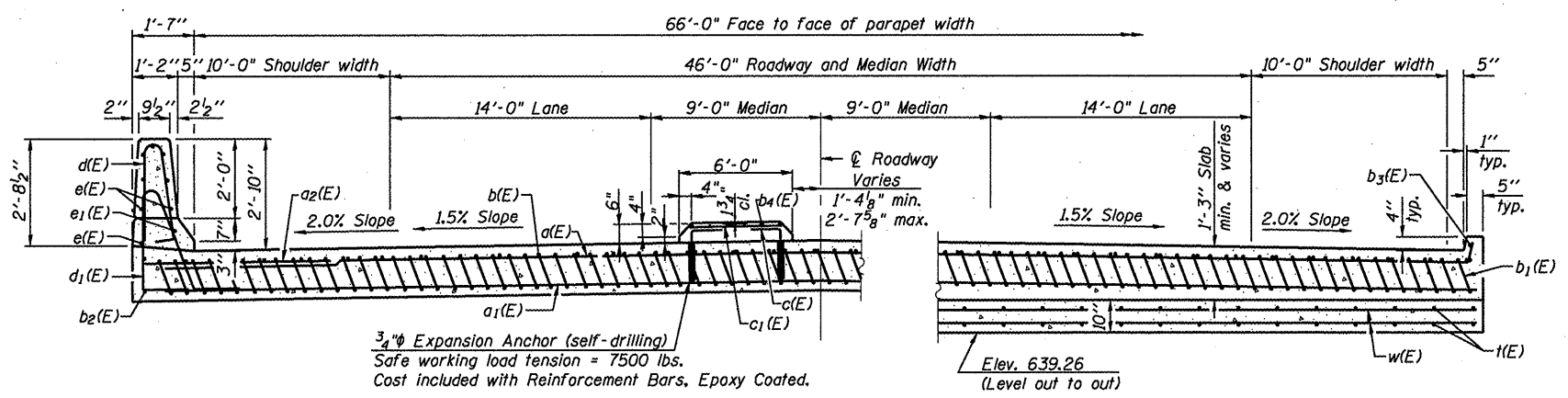
Contract No. 72667

Notes:

See sheet 10 of 20 for Detail A and View B-B.
 Approach slab and parapet concrete shall be paid for as Concrete Superstructure.
 Approach footing concrete shall be paid for as Concrete Structures.
 Reinforcement shall be paid for as Reinforcement Bars, Epoxy Coated.
 For v(E) bar details, see sheet 9 of 20.
 The approach footing maximum applied service bearing pressure (Qmax) = 2.0 ksf.
 For bar splicer details, see sheet 17 of 20.
 Cost of excavation for approach footing included with Concrete Structures.
 For Porous Granular Embankment (Special) and drainage treatment details, see sheet 1 of 20.
 For additional parapet details, see sheet 9 of 20.



SECTION C-C

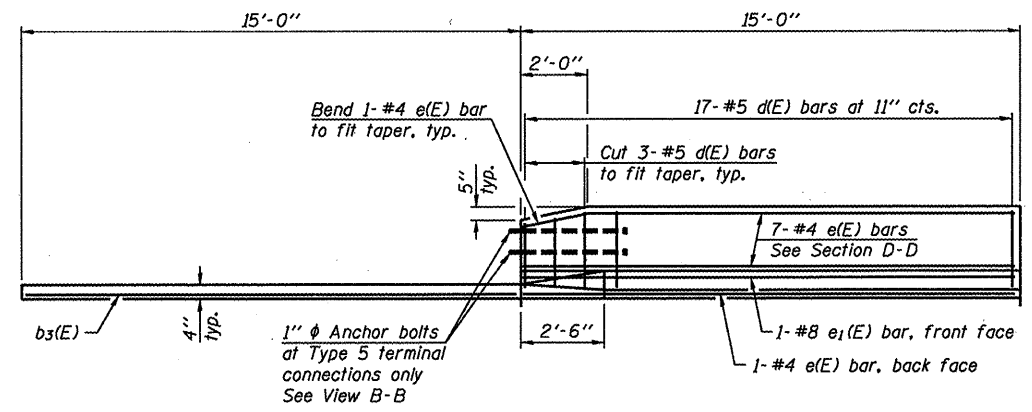


NEAR ABUTMENT

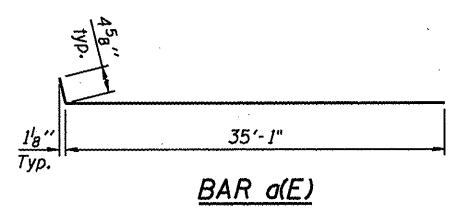
SECTION D-D

AT APPROACH FOOTING

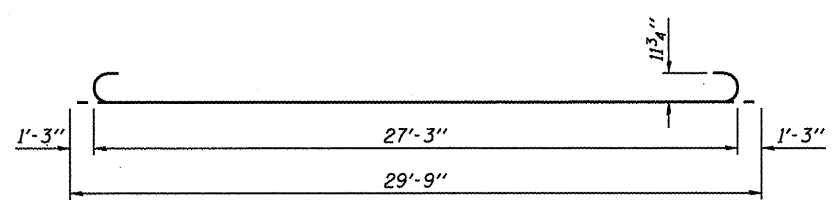
(North Approach - Looking North)
 (South Approach - Looking South)
 (See Plan for dimensions not shown)



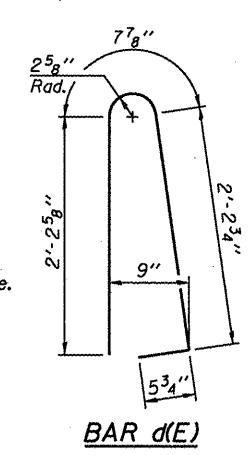
VIEW E-E



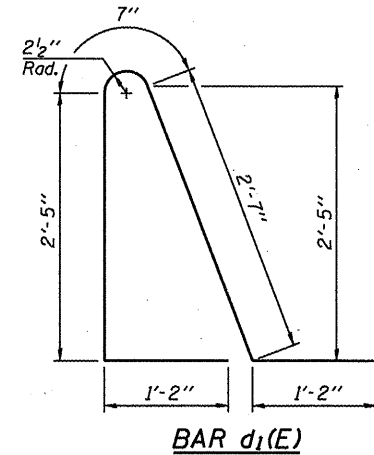
BAR d(E)



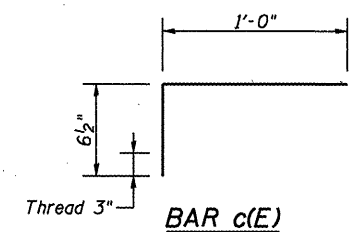
BAR b1(E)



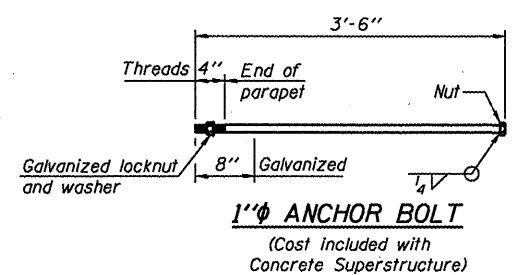
BAR d(E)



BAR d1(E)



BAR c(E)



1" ANCHOR BOLT

(Cost included with Concrete Superstructure)

**TWO APPROACHES
BILL OF MATERIAL**

Bar	No.	Size	Length	Shape
a(E)	100	#4	35'-6"	—
a1(E)	184	#5	35'-3"	—
a2(E)	48	#6	6'-6"	—
b(E)	108	#4	29'-8"	—
b1(E)	324	#9	29'-9"	—
b2(E)	4	#4	14'-8"	—
b3(E)	4	#4	14'-7"	—
b4(E)	12	#5	29'-8"	—
c(E)	100	#5	1'-7"	—
c1(E)	50	#5	5'-2"	—
d(E)	68	#5	5'-7"	—
d1(E)	68	#5	7'-11"	—
e(E)	32	#4	14'-8"	—
e1(E)	4	#8	14'-8"	—
f(E)	272	#4	9'-8"	—
w(E)	160	#5	34'-8"	—
Concrete Superstructure		Cu. Yd.	218.4	
Concrete Structures		Cu. Yd.	42.4	
Reinforcement Bars, Epoxy Coated		Pound	54370	

(Sheet 2 of 2)

APPROACH SLAB DETAILS
C.H. 7 (CONCORD RD.) (F.A.S. 579)
OVER U.S. 67/IL 104 (F.A.P. 310)
MORGAN COUNTY
STA. 807+81.68 - SECTION 69-3(3HB)
S.N. 069-0513