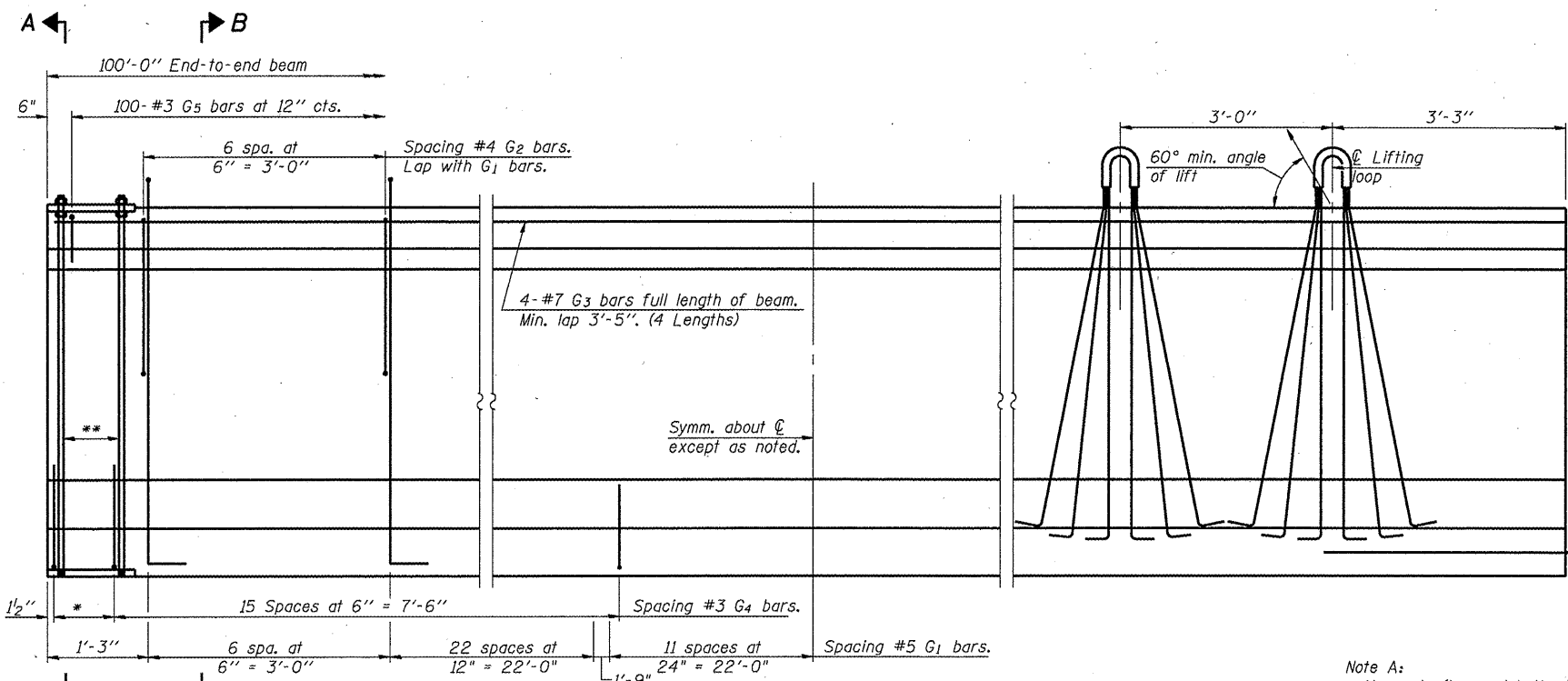


ROUTE NO.	SECTION	COUNTY	TOTAL SHEETS	SHEET NO.
F.A.S. 579	69-3(3HB)	MORGAN	793	335
FED. ROAD DIST. NO.	ILLINOIS	FED. AID PROJECT	Contract No. 72667	

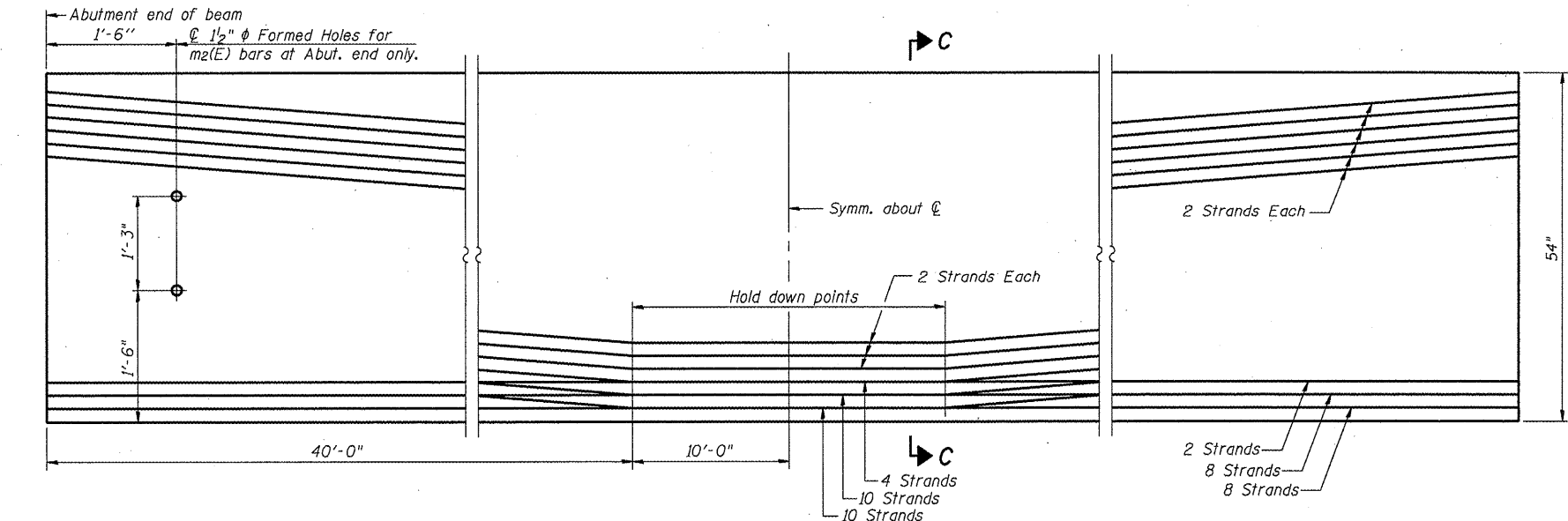
SHEET NO. 12
OF 20 SHEETS



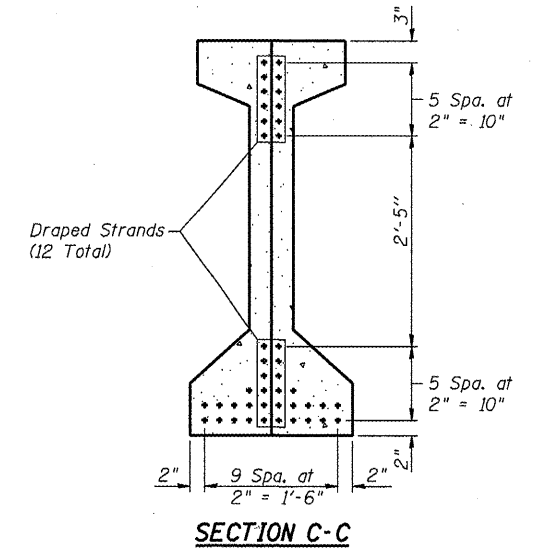
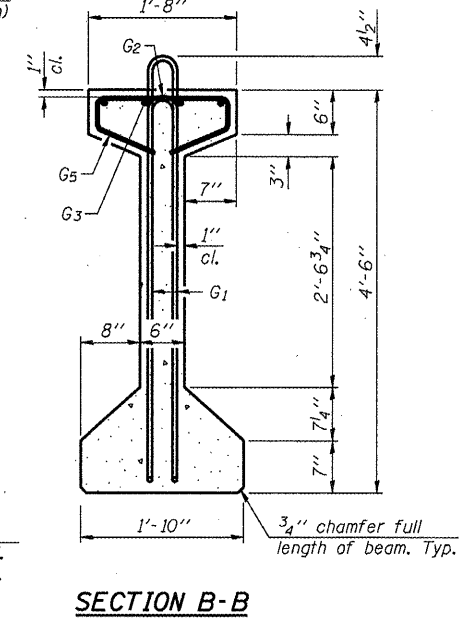
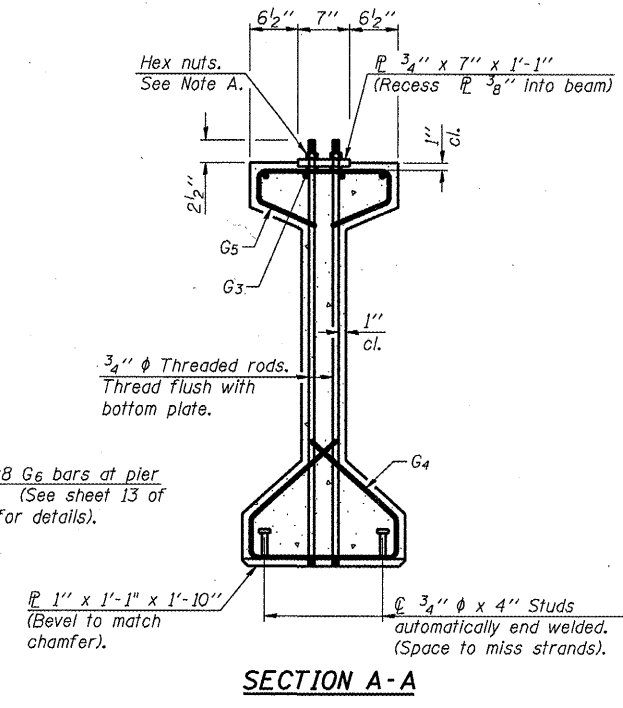
ELEVATION OF BEAM
(Showing reinforcement & dimensions)

A ← B
* 3 spaces at 3" = 9".
** 4-3/4" ϕ threaded dowel rods at 3" cts., each face.

Note A:
Hex nuts (top and bottom) with lock washers (top). Only tighten sufficiently to compress lock washers.



ELEVATION OF BEAM
(Showing prestressing steel)



*** BAR LIST
ONE BEAM ONLY

Bar	No.	Size	Length	Shape
G1	81	#5	10'-5"	nl
G2	14	#4	8'-8"	n
G3	16	#7	28'-4"	—
G4	38	#3	4'-11"	—
G5	100	#3	3'-5"	—
G6	2	#8	3'-9"	—

*** For information only

Notes:
See sheet 13 of 20 for additional details and Bill of Material.
Required release strength, f'cl, shall be 5000 psi.

54" PPC I-BEAM DETAILS
C.H. 7 (CONCORD RD.) (F.A.S. 579)
OVER U.S. 67/IL 104 (F.A.P. 310)
MORGAN COUNTY
STA. 807+81.68 - SECTION 69-3(3HB)
S.N. 069-0513