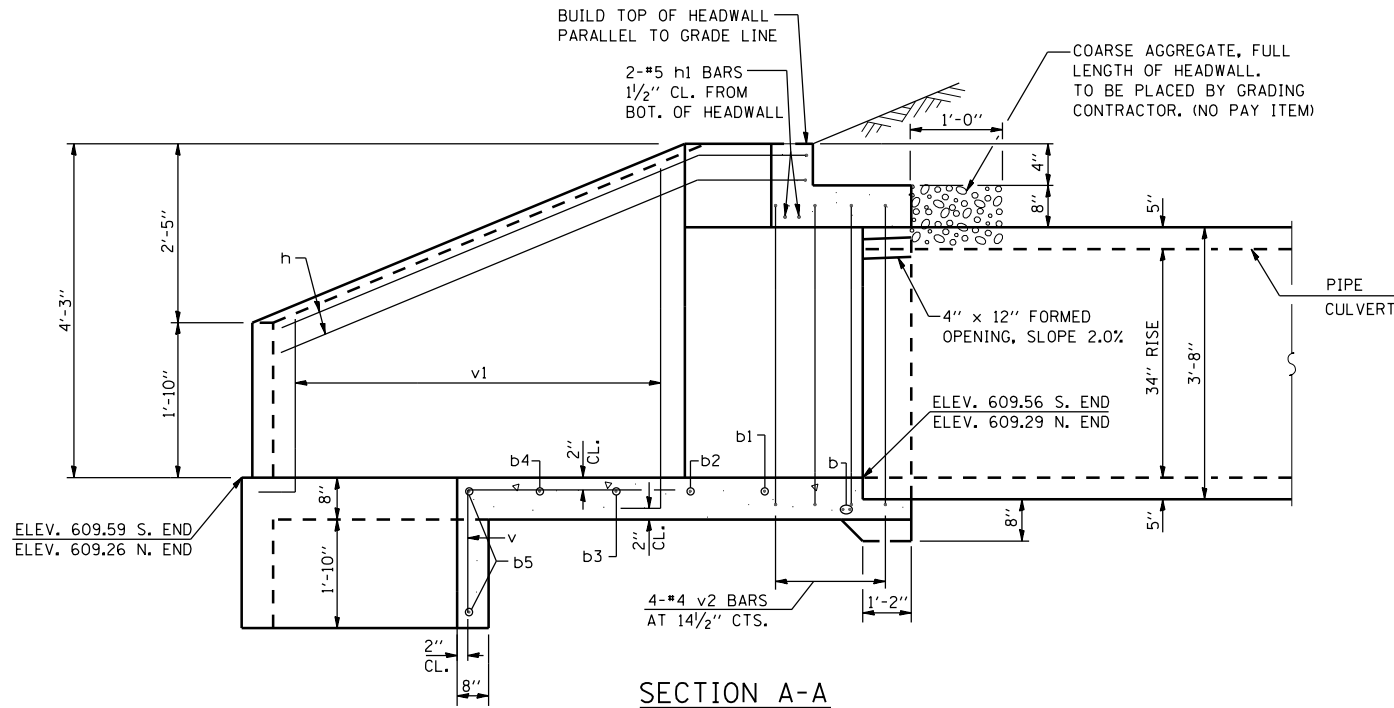


F.A.P. RTE.	SECTION	COUNTY	TOTAL SHEETS	SHEET NO.
310	69-3(3HB)	MORGAN	793	357
STA.		TO STA.		
FED. ROAD DIST. NO.		ILLINOIS FED. AID PROJECT		

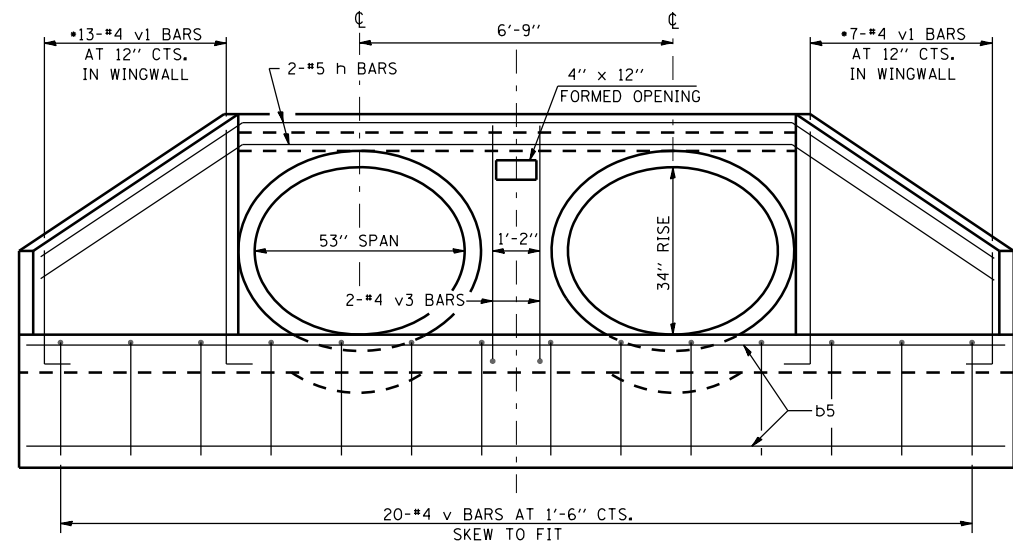
9:40:47 AM

Mar-30-2011 09:40:47 AM

\$FILE\$

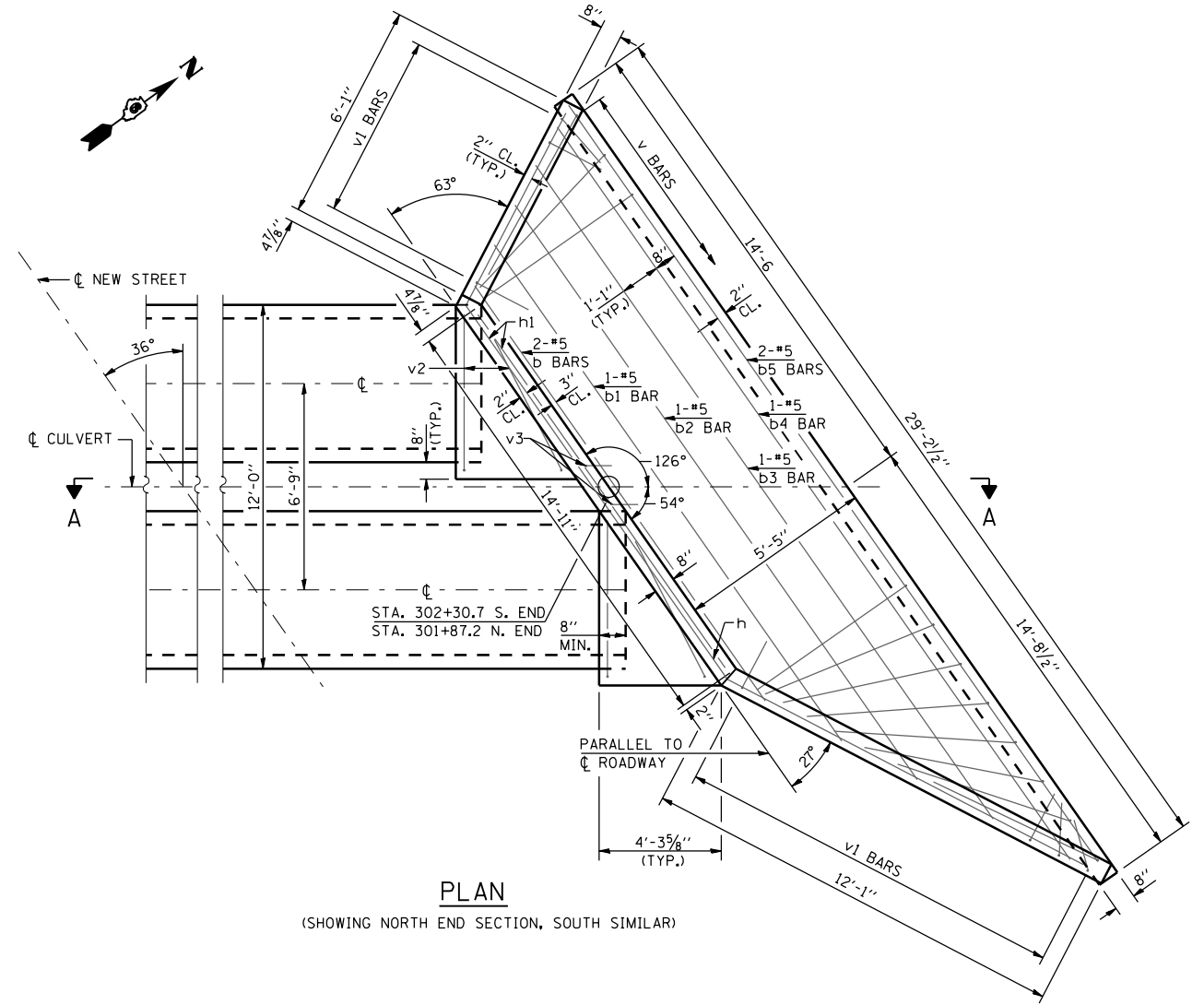


SECTION A-A



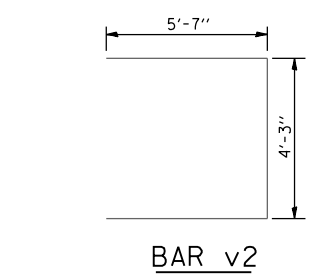
END ELEVATION

• SEE FIELD CUTTING DIAGRAM

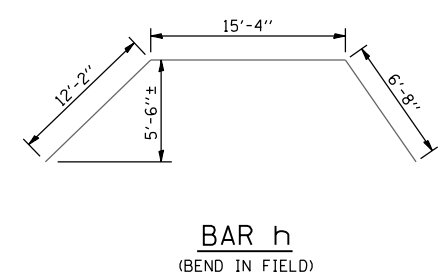


PLAN

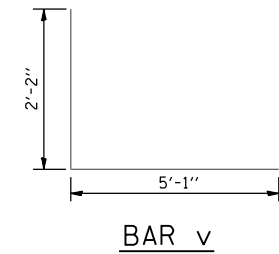
(SHOWING NORTH END SECTION, SOUTH SIMILAR)



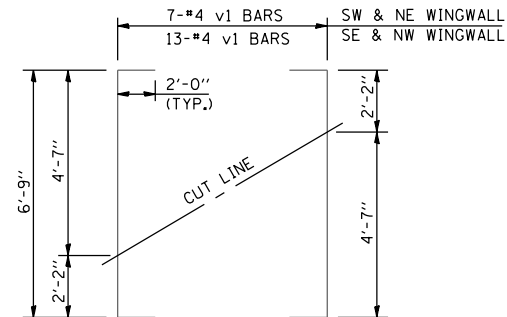
BAR v2



BAR h
(BEND IN FIELD)

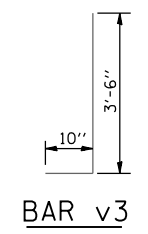


BAR v



FIELD CUTTING DIAGRAM

ORDER v1 BARS FULL LENGTH



BAR v3

BILL OF MATERIAL
(2 END SECTIONS)

BAR	NO.	SIZE	LENGTH	SHAPE
b	4	#5	17'-2"	—
b1	2	#5	19'-10"	—
b2	2	#5	22'-6"	—
b3	2	#5	25'-2"	—
b4	2	#5	27'-10"	—
b5	4	#5	28'-10"	—
h	4	#5	34'-2"	∩
h1	4	#5	14'-7"	—
v	40	#4	7'-3"	∩
v1	20	#4	10'-9"	∩
v2	16	#4	15'-5"	∩
v3	4	#4	4'-4"	∩

•• FOR INFORMATION ONLY

REVISIONS	
NAME	DATE

ILLINOIS DEPARTMENT OF TRANSPORTATION
CULVERT END SECTIONS
STATION 302+09.00
NEW STREET

DATE 10/07
DRAWN BY ADB
CHECKED BY MTH