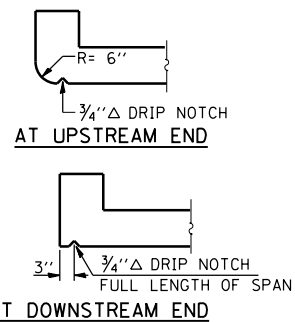


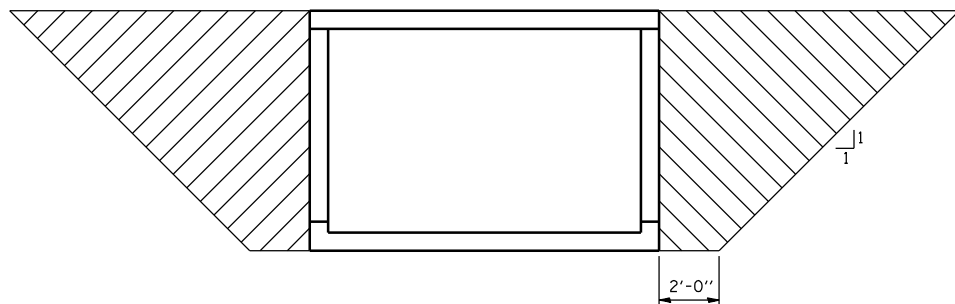
9:40:53 AM
 Mar-30-2011 09:40:53 AM

CONTRACT NO. 72667

F.A.P. RTE.	SECTION	COUNTY	TOTAL SHEETS	SHEET NO.
310	69-3(3HB)	MORGAN	793	359
STA.		TO STA.		
FED. ROAD DIST. NO.		ILLINOIS FED. AID PROJECT		

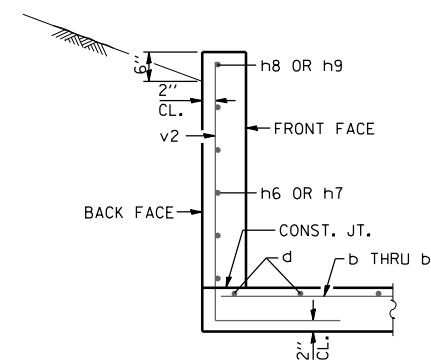


SECTION THRU HEADWALL

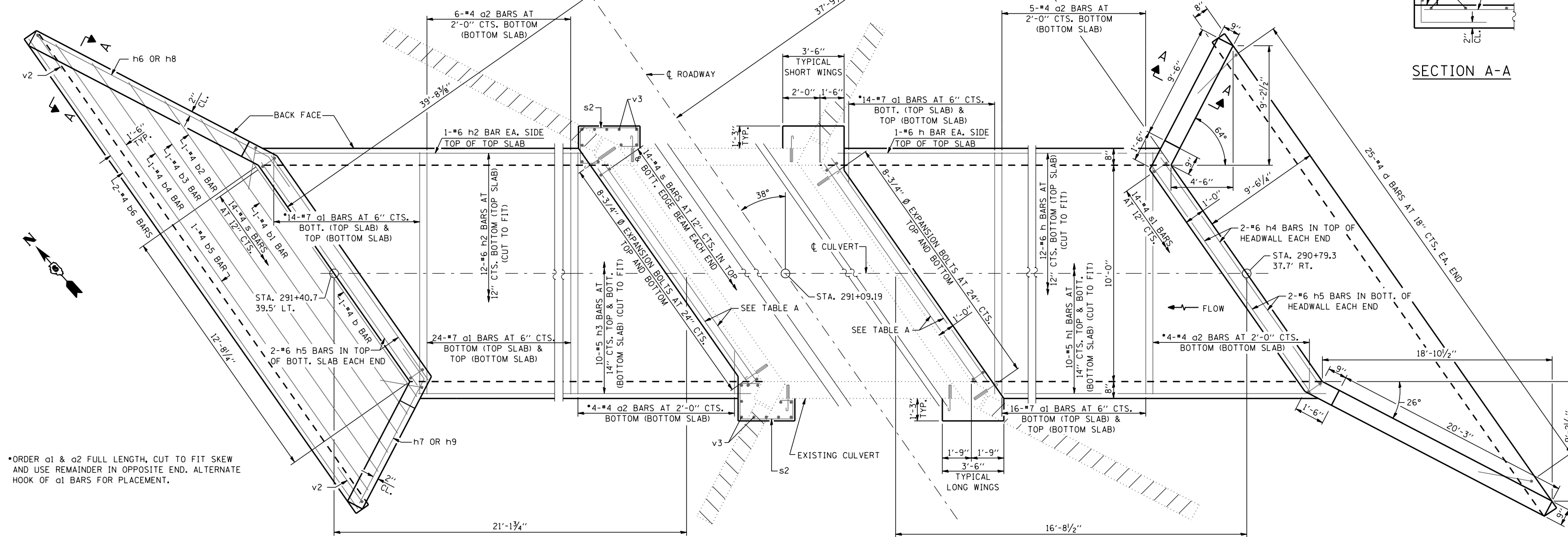


GRANULAR CULVERT BACKFILL DETAIL

NOTE:
 THE GRANULAR CULVERT BACKFILL SHALL EXTEND 2'-0" FROM THE END OF EACH WINGWALL.



SECTION A-A



*ORDER a1 & a2 FULL LENGTH, CUT TO FIT SKEW AND USE REMAINDER IN OPPOSITE END. ALTERNATE HOOK OF a1 BARS FOR PLACEMENT.

NOTE:
 HATCHED AREA INDICATES CONCRETE REMOVAL. COST INCLUDED WITH CONCRETE BOX CULVERTS.

PLAN

TABLE A

LOCATION	NO. OF BARS	BAR
TOP OF TOP EDGE BEAM	2	h4
BOTT. OF TOP EDGE BEAM	2	h5
TOP OF BOTT. EDGE BEAM	2	h5
BOTT. OF BOTT. EDGE BEAM	2	h4

REVISIONS	
NAME	DATE

ILLINOIS DEPARTMENT OF TRANSPORTATION
 BOX CULVERT EXTENSIONS
 STATION 291+09.19
 TR 18 (HART'S GRAVEL ROAD)

DATE 5/09
 DRAWN BY RJP
 CHECKED BY ADL