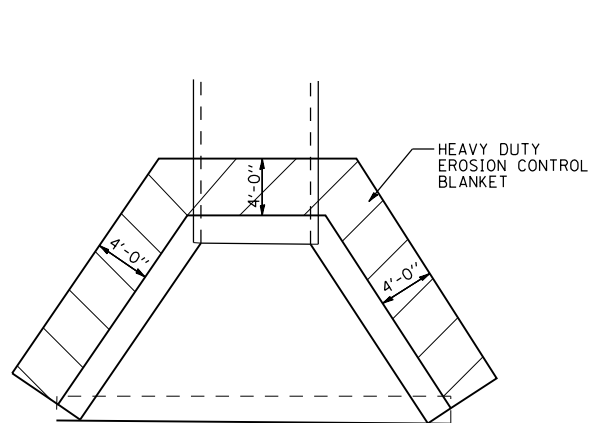


9:45:38 AM

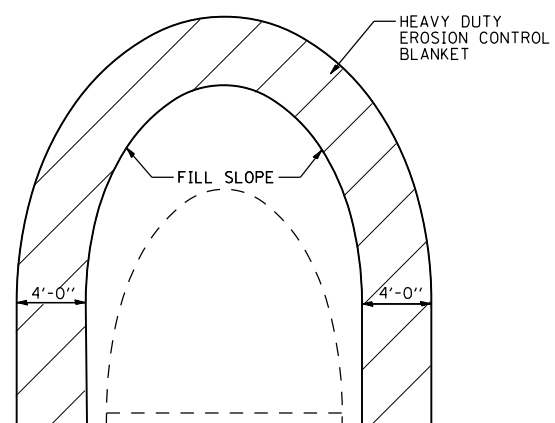
Mar-30-2011 09:45:38AM

\$FILE\$

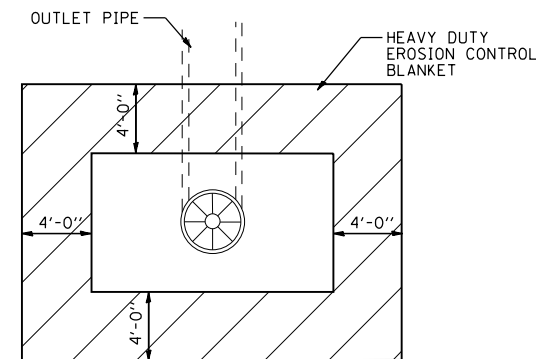
F.A.P. RTE.	SECTION	COUNTY	TOTAL SHEETS	SHEET NO.
310	69-3(3HB)	MORGAN	793	437
STA.		TO STA.		
FED. ROAD DIST. NO.	ILLINOIS	FED. AID PROJECT		



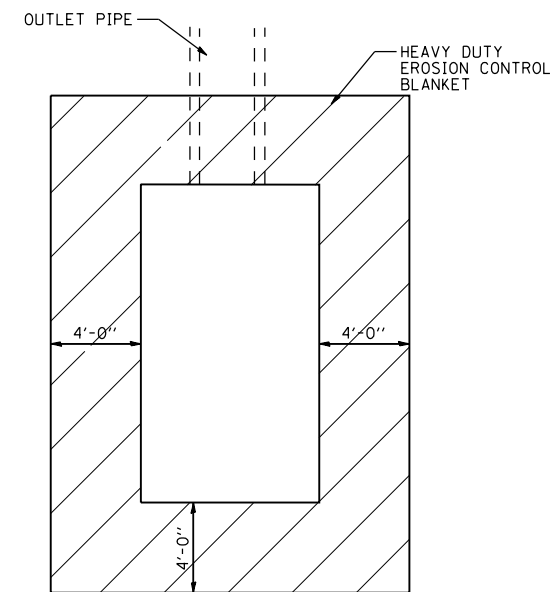
EROSION CONTROL BLANKET AROUND HEADWALLS & CULVERT WINGWALLS



EROSION CONTROL BLANKET AROUND FLARED END SECTION STD. 542301



EROSION CONTROL BLANKET AROUND MEDIAN INLETS STD. 604101 & STD. 604106



EROSION CONTROL BLANKET AROUND HEADWALL FOR PIPE UNDERDRAIN STD. 601101

REVISIONS	
NAME	DATE

ILLINOIS DEPARTMENT OF TRANSPORTATION
MISCELLANEOUS DETAILS
EROSION CONTROL BLANKET
FAP 310 (US 67/IL 104)

DRAWN BY EBB
CHECKED BY
DATE 9/06