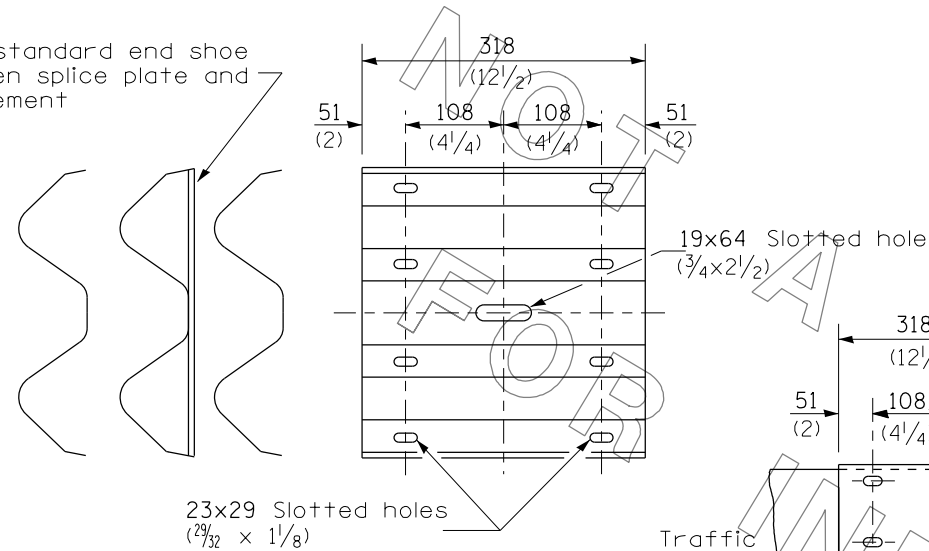
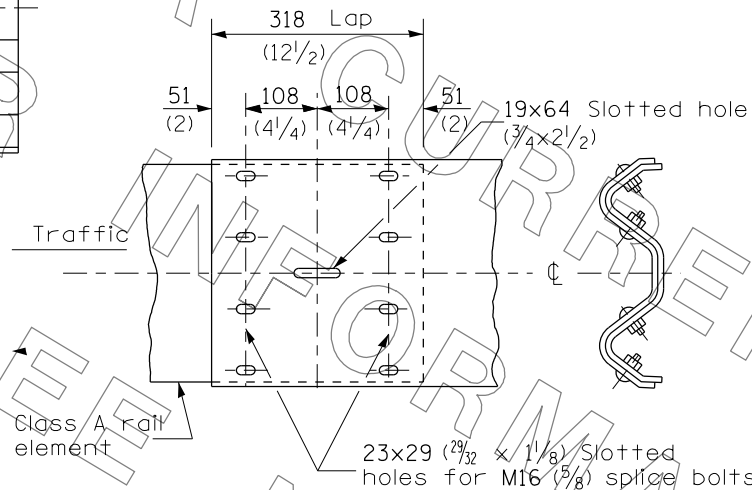


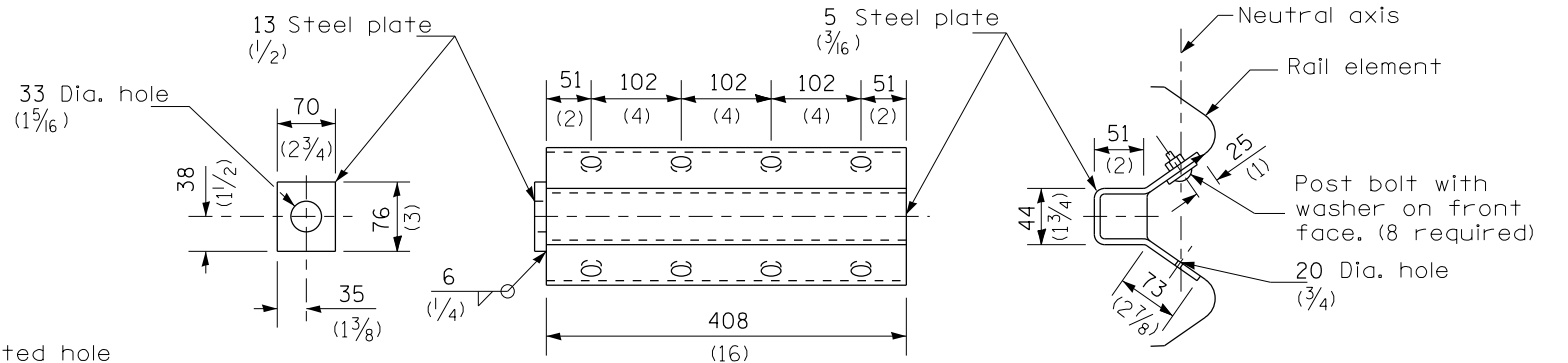
Place standard end shoe between splice plate and rail element



SPLICE PLATE

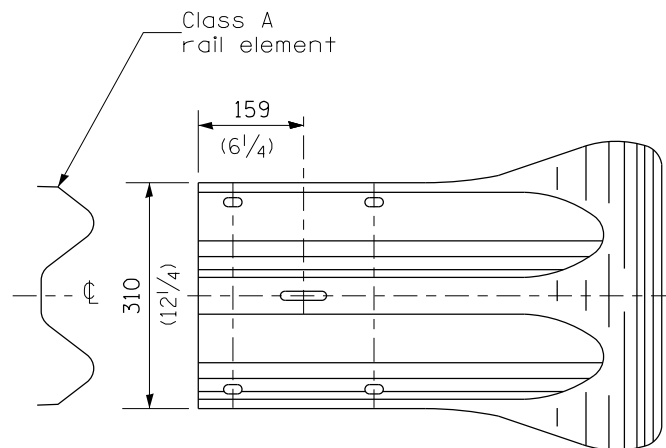
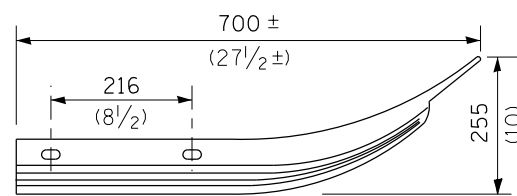


RAIL ELEMENT SPLICE

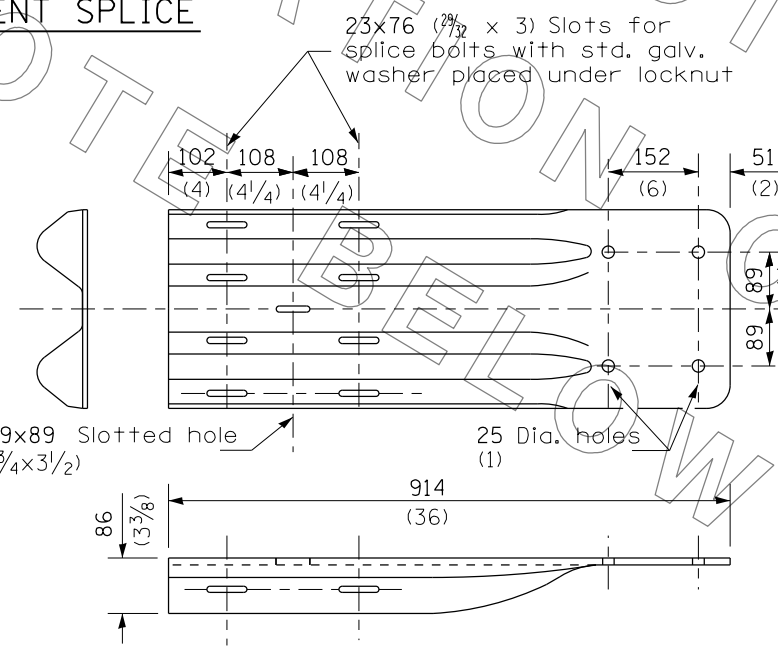


NOTE
Anchor plate T shall be used to attach cable assembly to guardrail when required on traffic barrier terminals.

ANCHOR PLATE T DETAILS



END SECTION



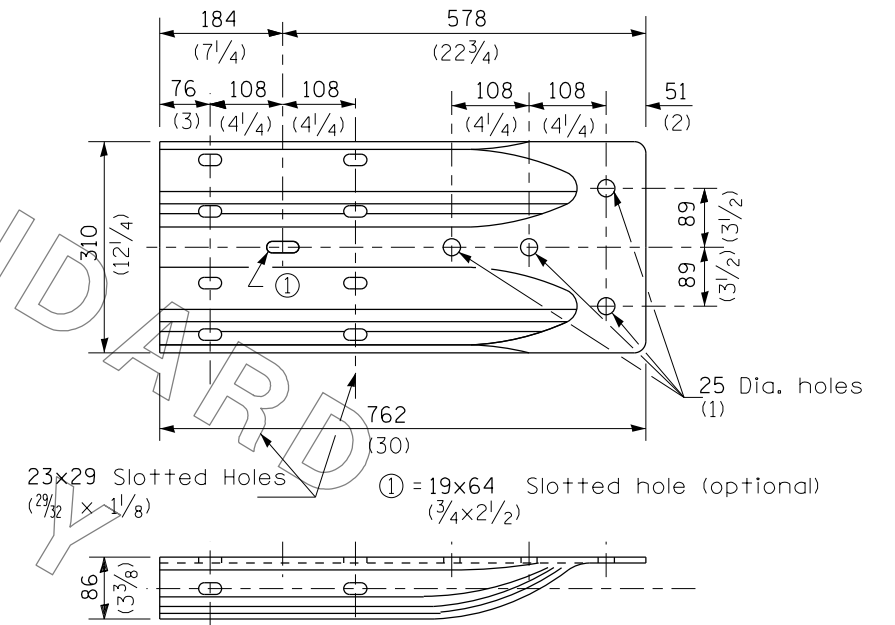
NOTE

When end shoe is attached to a bridge parapet which has an expansion joint, the bolts shall be provided with a locknut or double nut and shall be tightened only to a point that will allow guardrail movement.

The standard end shoe shall be attached to the concrete with pre-drilled or self-drilling anchor bolts. The anchor cone shall be set flush with the surface of the concrete.

Externally threaded studs protruding from the surface of the concrete will not be permitted.

END SHOE



ALTERNATE END SHOE

NOTE:

THIS DETAIL SHALL BE USED FOR GUARDRAIL REPAIRS WHERE NEW STEEL PLATE BEAM GUARDRAIL AND TERMINAL SECTIONS WILL BE TIED INTO EXISTING STEEL PLATE BEAM GUARDRAIL AS WELL AS FOR REMOVING AND RE-ERECTING THE RAIL ELEMENT.

FILE NAME =	USER NAME = Sparksgw	DESIGNED -	REVISED -	STATE OF ILLINOIS DEPARTMENT OF TRANSPORTATION	D6 GUARDRAIL END REPL GUARDRAIL MODIFICATION SHEETS				F.A.P. RE.	SECTION	COUNTY	TOTAL SHEETS	SHEET NO.
c:\pwwork\pwwork\sparksgw\10247485\0672E17-sht-guardrail-modification.dgn		DRAWN -	REVISED -		VAR.	**	*	19	17				
PLOT SCALE = 100.0000' / 1in.		CHECKED -	REVISED -		CONTRACT NO. 72E17				ILLINOIS FED. AID PROJECT				
PLOT DATE = Mar-24-2011 08:32:25AM		DATE -	REVISED -		SCALE:	SHEET NO.	OF SHEETS	STA.	TO STA.	ILLINOIS FED. AID PROJECT • D6 GUARDRAIL END REPL 2011-3 • ADAMS, HANCOCK & SCHUYLER CO.			