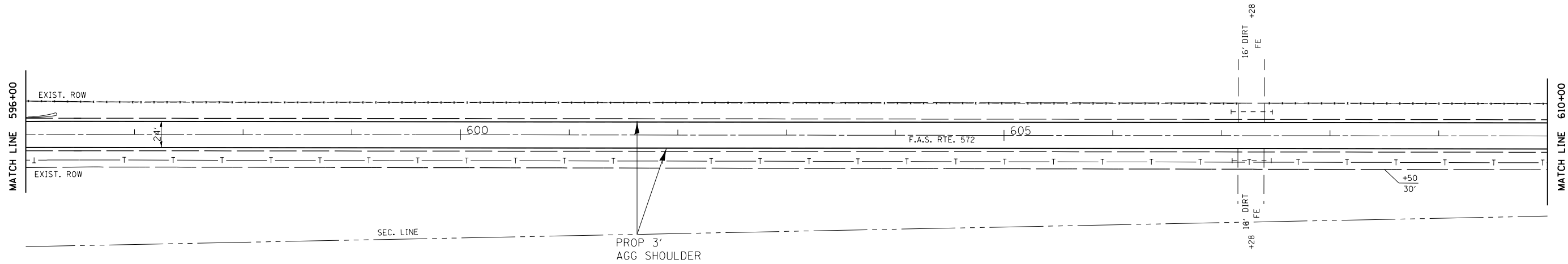


SEC. 12  
T 21 N.,R 7 W.,3rd P.M.

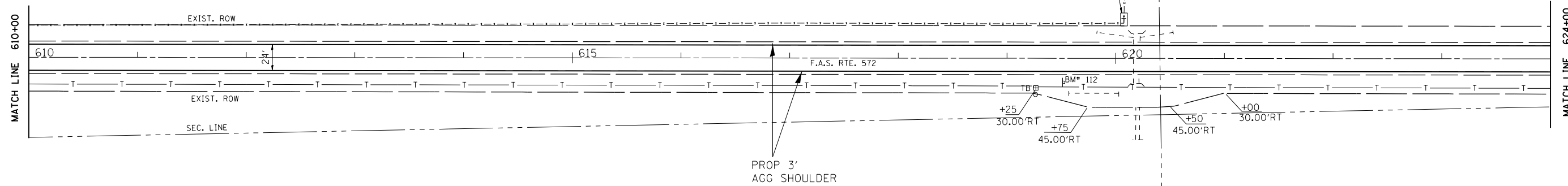


SEC. 11  
T 21 N.,R 7 W.,3rd P.M.

W 1/2, NW 1/4, SEC. 12  
T 21 N.,R 7 W.,3rd P.M.



W 1/2, SW 1/4, SEC. 12  
T 21 N.,R 7 W.,3rd P.M.



E 1/2, NE 1/4, SEC. 11  
T 21 N.,R 7 W.,3rd P.M.

E 1/2, SE 1/4, SEC. 11  
T 21 N.,R 7 W.,3rd P.M.

FILE NAME =	USER NAME = Sparksgw	DESIGNED -	REVISED -
ei:\pw\work\p\idot\sparksgw\0258631\0672E32-sht-plansheets.dgn		DRAWN -	REVISED -
PLOT SCALE = 100.0000' / in.		CHECKED -	REVISED -
PLOT DATE = Mar-25-2011 04:19:36PM		DATE -	REVISED -

STATE OF ILLINOIS  
DEPARTMENT OF TRANSPORTATION

PLAN SHEETS

SCALE: SHEET NO. OF SHEETS STA. TO STA.

F.A. RTE.	SECTION	COUNTY	TOTAL SHEETS	SHEET NO.
572	3RS-4	MASON	38	14
CONTRACT NO. 72E32				
ILLINOIS FED. AID PROJECT				