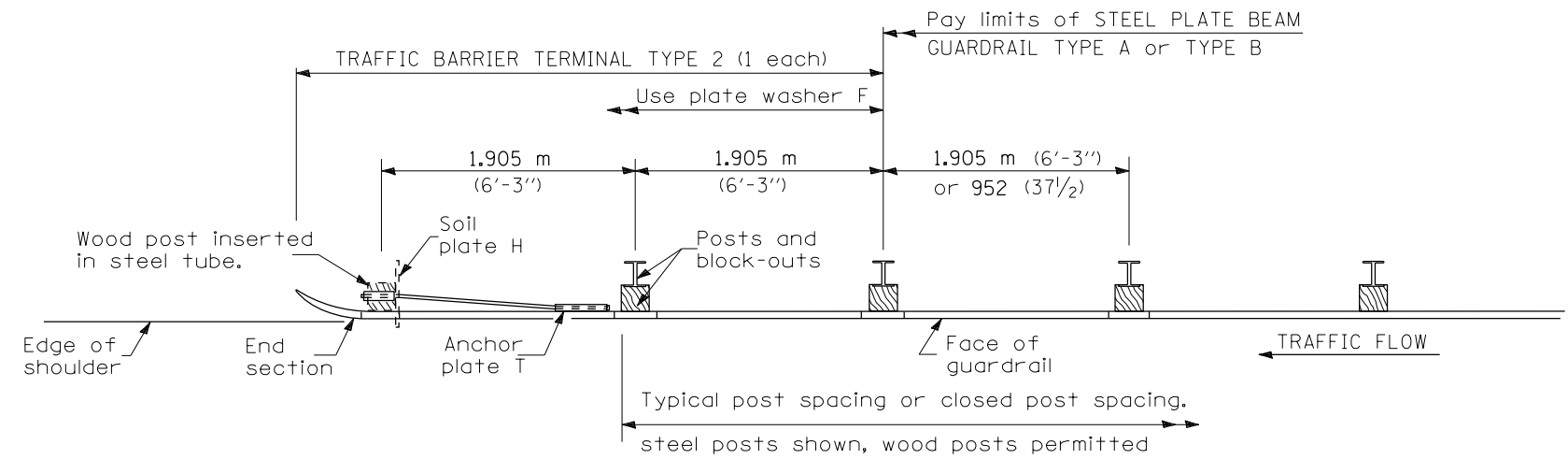
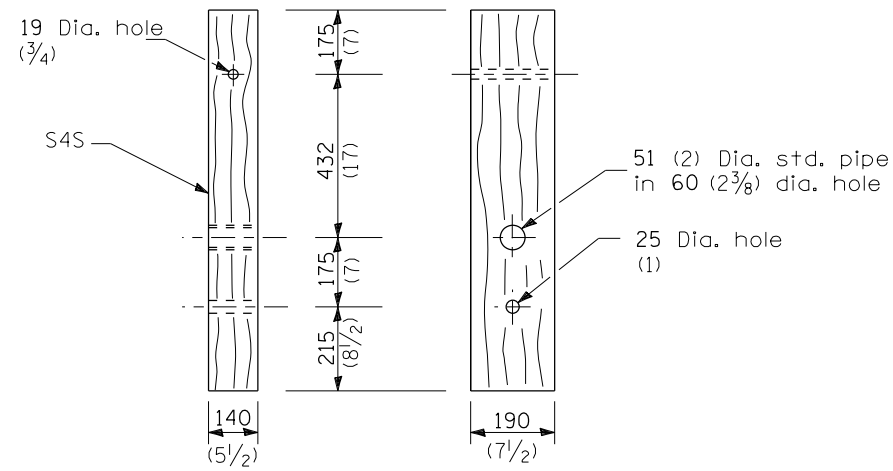


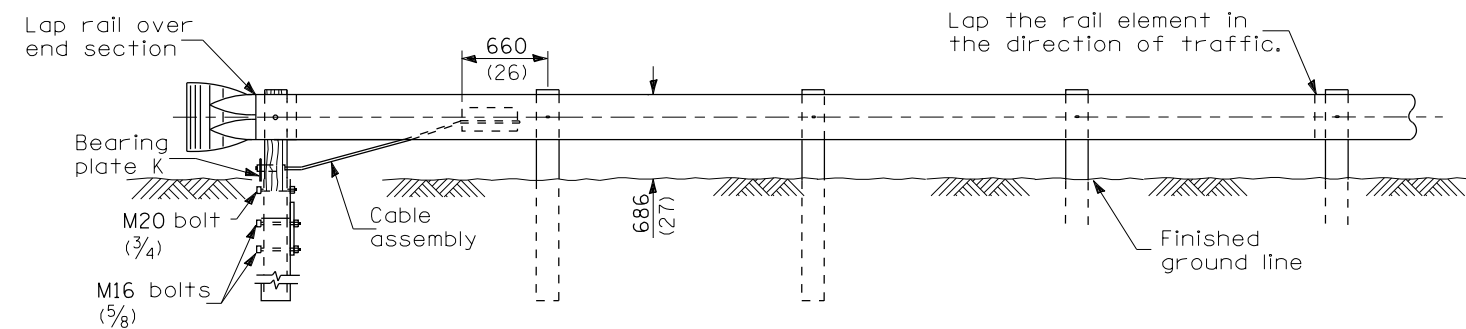
**BEARING PLATE K**



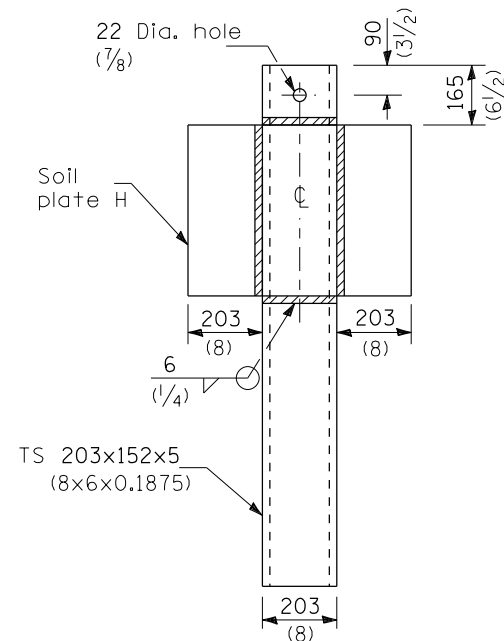
**PLAN**



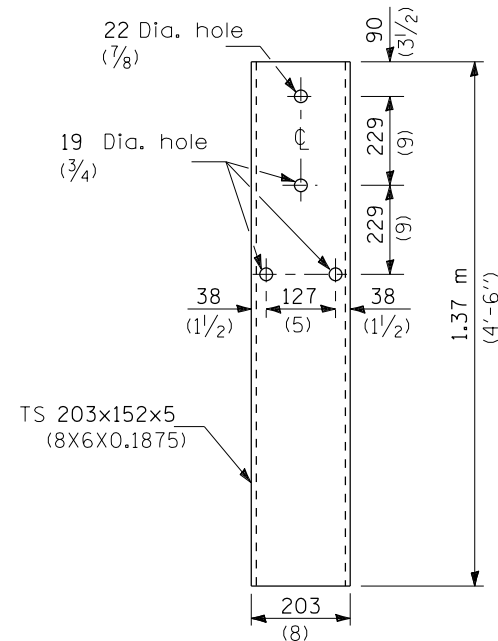
**WOOD POST**



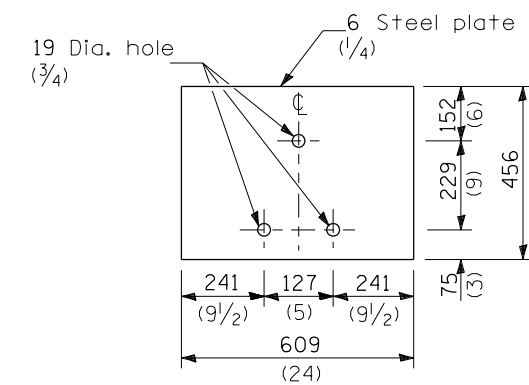
**ELEVATION**



**ALTERNATE SOIL PLATE CONNECTION**



**STEEL TUBE**



**SOIL PLATE H**

**GENERAL NOTES**

See Standard 630001 for details of guardrail not shown.

Use plate washer F at all posts.

The bearing plate K shall be held in position by (2) two eight penny nails driven into the post and bent over the top of the plate.

All dimensions are in millimeters (inches) unless otherwise shown.

FILE NAME =	USER NAME = Sparksgw	DESIGNED -	REVISED -	<b>STATE OF ILLINOIS DEPARTMENT OF TRANSPORTATION</b>	<b>PRE-MGS HIGHWAY STANDARD 631011-02 TRAFFIC BARRIER TERMINAL TYPE 2 EFFECTIVE 4-1-06</b> <small>(SHEET 1 OF 1)</small>	F.A. RTE.	SECTION	COUNTY	TOTAL SHEETS	SHEET NO.
et:\pw\work\p\idot\sparksgw\0262291\067239-sht-207-631011-02_TrafBarTermType2.dgn	PLOT SCALE = 0:26.000 m / in.	DRAWN -	REVISED -			VAR		VAR	18	13
PLOT DATE = Apr-01-2011 09:44:04AM	DATE -	CHECKED -	REVISED -			SCALE: SHEET NO. OF SHEETS STA. TO STA.		CONTRACT NO. 72E39		
						ILLINOIS FED. AID PROJECT		• D6 CABLE/GUARDRAIL REPAIR 2011		