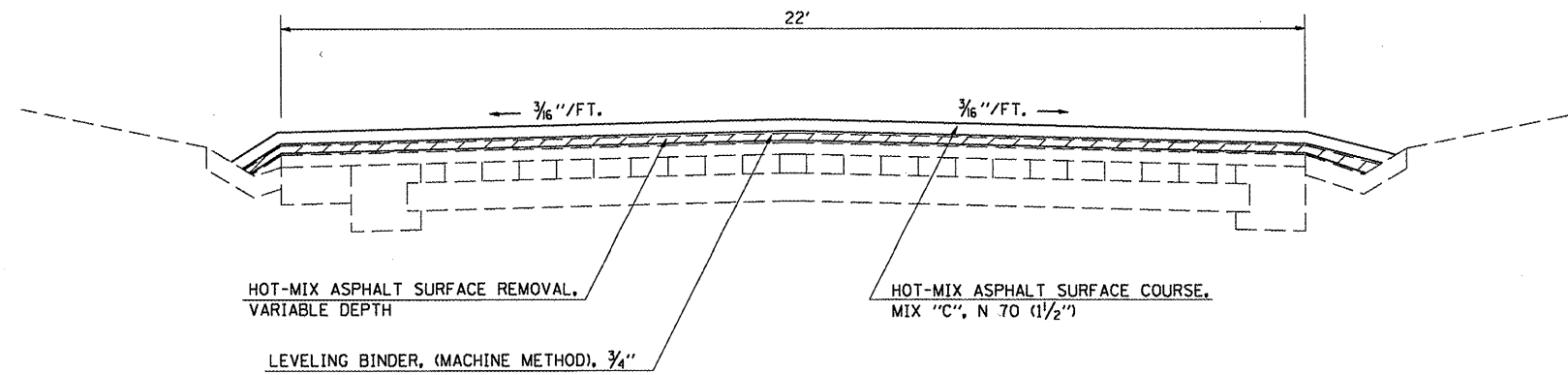



PROPOSED TYPICAL CROSS SECTIONS

S.B.I. 11 (OLD RTE. 40)

CLARK COUNTY

STATION 462+00 TO STATION 519+07



 HOT-MIX ASPHALT SURFACE REMOVAL, VARIABLE DEPTH

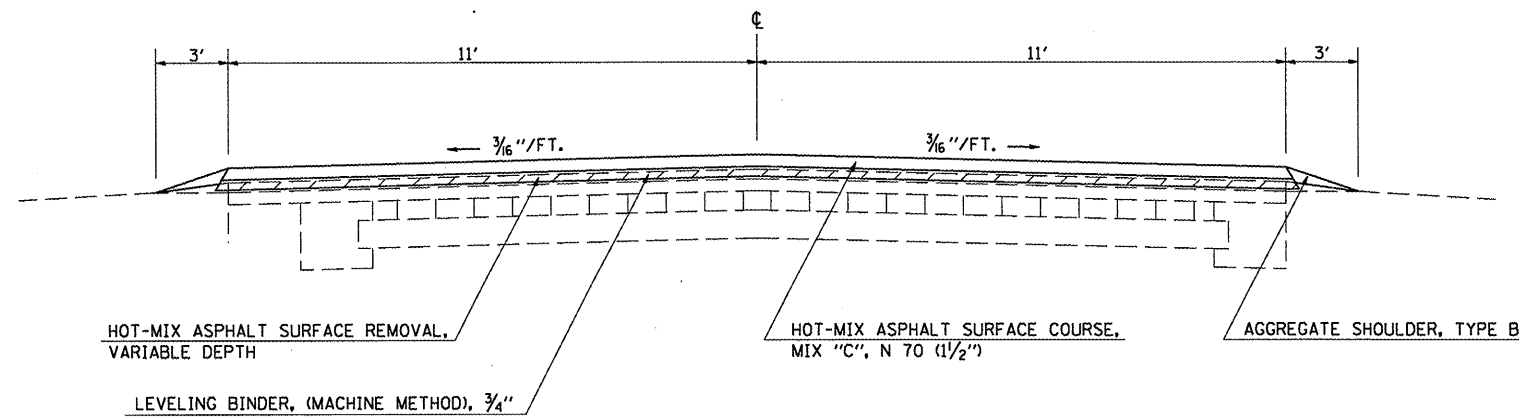
NOTE: NOT DRAWN TO SPECIFIC SCALE


PROPOSED TYPICAL CROSS SECTIONS

S.B.I. 11 (OLD RTE. 40)

CLARK COUNTY

STATION 575+00 TO STATION 619+49



 HOT-MIX ASPHALT SURFACE REMOVAL, VARIABLE DEPTH

NOTE: NOT DRAWN TO SPECIFIC SCALE

**STATE OF ILLINOIS
DEPARTMENT OF TRANSPORTATION**

EXISTING TYPICAL CROSS SECTIONS

FILE NAME =
c:\pw_work\pwidot\swartzr\0211382\d774\88-sht-typicals.dgn

USER NAME = swartzr
PLOT SCALE = 48.0000 ' / IN.
PLOT DATE = 2/14/2011

DESIGNED -	REVISED -
DRAWN -	REVISED -
CHECKED -	REVISED -
DATE -	REVISED -

STATE OF ILLINOIS
DEPARTMENT OF TRANSPORTATION

SCALE: NA	SHEET NO. 2 OF 2 SHEETS	STA.	TO STA.
-----------	-------------------------	------	---------

S.B.I. RTE.	SECTION	COUNTY	TOTAL SHEETS	SHEET NO.
11A	D7 HMA RESURF 2011-1	CLARK	13	5
CONTRACT NO. 74488				
ILLINOIS FED. AID PROJECT				