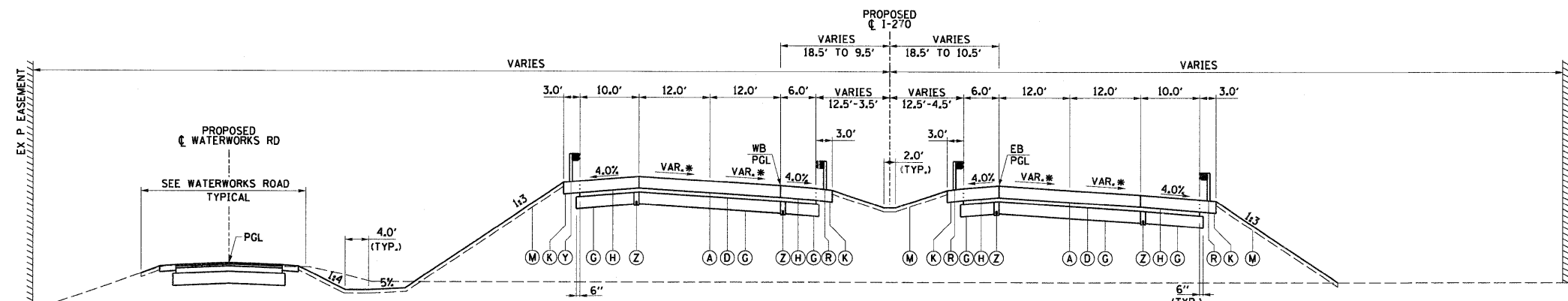


I-270 PROPOSED MAINLINE

WEST END SECTION
STA 1158+00 TO STA 1161+14.45

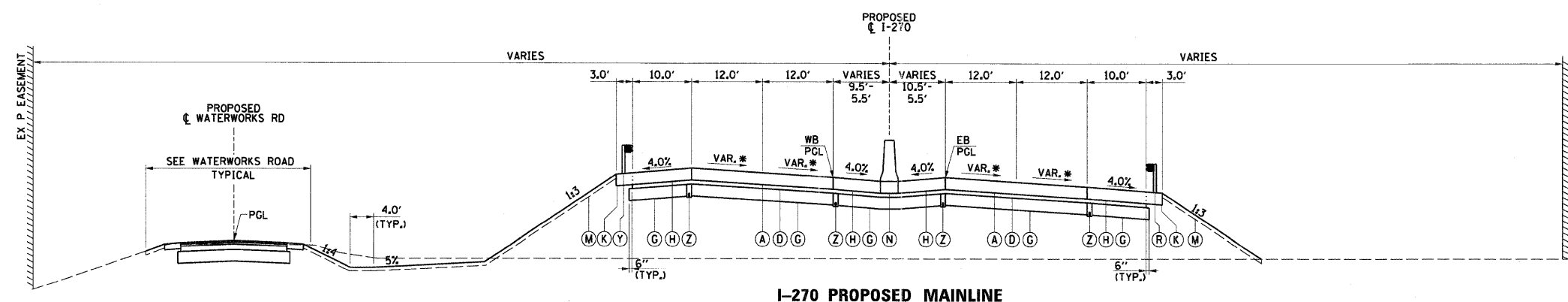
* SEE SUPERELEVATION TRANSITION DETAILS



I-270 PROPOSED MAINLINE

SUPERELEVATED SECTION
STA 1161+14.45 TO STA 1178+13.50

* SEE SUPERELEVATION TRANSITION DETAILS



I-270 PROPOSED MAINLINE

SUPERELEVATED SECTION
STA 1178+13.50 TO STA 1185+65.25

* SEE SUPERELEVATION TRANSITION DETAILS

- PROPOSED LEGEND**
- (A) CONT REINF PCC PVT 12
 - (B) HMA SC "D" N50
 - (C) HMA BC IL-12.5 N50
 - (D) STABILIZED SUBBASE 4"
 - (E) BIT SURF TREAT CL A-3
 - (F) AGG BASE CSE A 8
 - (G) SUB GRAN MAT A 12
 - (H) PCC SHOULDERS 12
 - (I) PCC SHOULDERS 12 SPL
 - (J) HMA SHOULDERS 10 1/2
 - (K) SHLDR STABILIZATION (NOTE 1)
 - (L) AGGREGATE SHLDS A 6
 - (M) TOPSOIL EXC & PLAC
 - (N) CONC BAR 2F 42HT
 - (O) CONC BAR 1F 42HT SPL
 - (P) MECH ST EARTH RET WL
 - (R) SPBGR TY A 6FT POSTS
 - (S) PCC PVT 12 JOINTED
 - (T) HMA PAVT FD 13
 - (V) PROCESS MOD SOIL 12 AND LIME
 - (W) SUB GRAN MAT C
 - (Y) SPBGR TY A 9FT POST
 - (Z) PIPE UNDERDRAINS 4
- NOTE 1) (K) PAID FOR AS (H) OR (J) TO MATCH ADJACENT SHOULDER

FILE NAME = 0876A91-Sht-Typica102.DGN

USER NAME = malopez
PLOT SCALE = *SCALE*
PLOT DATE = 3/17/2011

DESIGNED - SJM
DRAWN - BAH
CHECKED - SJM
DATE - 06-30-10

REVISED - 12-30-2010
REVISED -
REVISED -
REVISED -

**STATE OF ILLINOIS
DEPARTMENT OF TRANSPORTATION**

**PROPOSED TYPICAL SECTIONS
INTERSTATE 270**

SCALE: SHEET NO. 2 OF 5 SHEETS STA. TO STA.

F.A.I. RTE.	SECTION	COUNTY	TOTAL SHEETS	SHEET NO.
270	60-1B-1	MADISON	712	16
			CONTRACT NO. 76A91	
ILLINOIS FED. AID PROJECT				