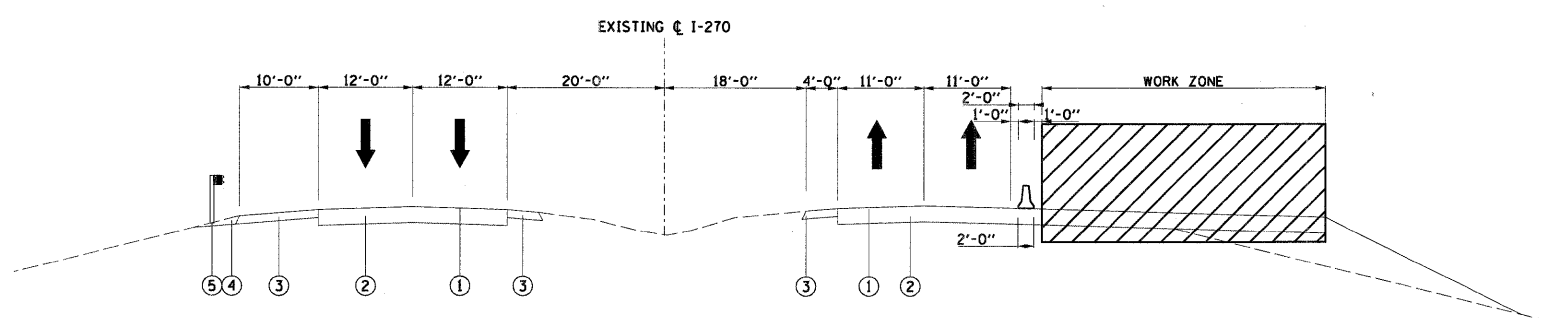


I-270 STAGE 1
WEST END SECTION
APPROXIMATE STA 149+00 TO STA 177+00



I-270 PRESTAGE
WEST END SECTION
APPROXIMATE STA 150+00 TO STA 177+00

- MOT LEGEND**
- WORK ZONE AREA
 - TEMPORARY PAVEMENT
 - DIRECTION OF TRAFFIC
 - MOVEABLE CONCRETE BARRIER
 - TYPE II WITH STEADY BURNING MONODIRECTIONAL LIGHT

- EXISTING LEGEND**
- ① EX HOT-MIX ASPHALT OVERLAY
 - ② EX PCC PAVEMENT, 10"
 - ③ EX HOT-MIX ASPHALT SHOULDER
 - ④ EX AGGREGATE SHOULDER
 - ⑤ EX STEEL PLATE BEAM GUARDRAIL
 - ⑥ EX CABLE ROAD GUARD

NOTE:
SEE SUGGESTED MAINTENANCE OF TRAFFIC PLANS FOR ADDITIONAL INFORMATION.

FILE NAME = D876A91-SH-L-MOTTYP01.DGN	USER NAME = malopez	DESIGNED - SJM	REVISED - 07-30-10	STATE OF ILLINOIS DEPARTMENT OF TRANSPORTATION	SUGGESTED MAINTENANCE OF TRAFFIC TYPICAL SECTIONS - PRE-STAGE AND STAGE 1	F.A.I. RTE. = 270	SECTION = 60-1B-1	COUNTY = MADISON	TOTAL SHEETS = 712	SHEET NO. = 90
	PLOT SCALE = #SCALE#	CHECKED - SJM	REVISED -			SCALE: SHEET NO. 1 OF 7 SHEETS	STA. TO STA.	CONTRACT NO. 76A91		ILLINOIS FED. AID PROJECT
PLOT DATE = 3/16/2011	DATE = 06-30-10	REVISED -	REVISED -							