

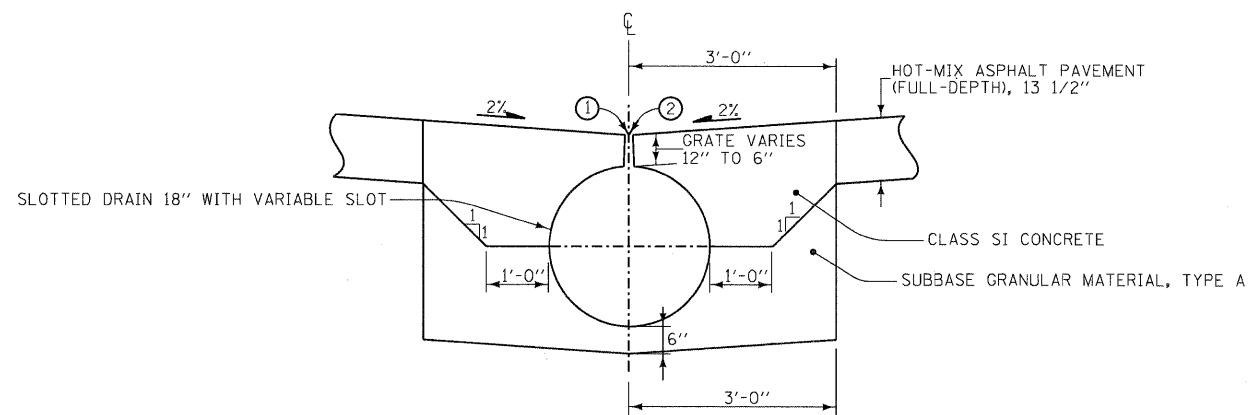
LONGITUDINAL SECTION THROUGH SLOTTED DRAIN ASSEMBLY

THIS PLAN SHOWS THE CONSTRUCTION DETAILS FOR A SLOTTED DRAIN TO BE PLACED UNDER THE MEDIAN CROSSOVER. THE CONSTRUCTION PROCEDURE WILL INCLUDE THE PLACEMENT OF COURSE AGGREGATE BACKFILL TO THE PROPER ELEVATION FOR THE CORRECT PLACEMENT OF THE PIPE. AFTER THE PLACEMENT OF THE PIPE THE COURSE AGGREGATE BACKFILL WILL BE SHAPED AS DETAILED TO ACCOMMODATE THE THICKENED PAVEMENT OVER THE PIPE. CLASS SI CONCRETE PAVEMENT WILL BE REQUIRED FOR THE THICKENED AREA OVER THE PIPE FOR BOTH THE BITUMINOUS AND PCC CROSSOVER PAVEMENT OPTION.

CONTRACT ITEMS

- PIPE CULVERTS, CLASS D, TYPE I 18", PER LINEAR FOOT
- SLOTTED DRAIN 18" WITH VARIABLE SLOT, PER LINEAR FOOT
- CLASS SI, CONCRETE (MISCELLANEOUS), PER CUBIC YARD
- SUBBASE GRANULAR MATERIAL, TYPE A, PER CUBIC YARD

- ① DUCT TAPE OR WOOD BLOCKS SHALL BE USED TO COVER SLOTTED DRAIN DURING CONSTRUCTION OF CROSSOVER PAVEMENT.
- ② SLOTTED GRATE 12" TO 6" HIGH x 1-3/4" OPENING WIDTH. THE SPACER AND BEARING BARS (SIDES) SHALL BE 3/16" MATERIAL.



SECTION THROUGH SLOTTED DRAIN ASSEMBLY

TABLE OF QUANTITIES

LOCATION	150+00	173+30
SLOTTED DRAIN SIZE	18"	18"
SDL SLOTTED DRAIN 18" WITH VARIABLE SLOT	500'	403'
PL-1 PIPE CULVERTS, CLASS D, TYPE I 18"	17'	72'
PL-2 PIPE CULVERTS, CLASS D, TYPE I 18"	17'	160'
BID ITEMS		
CLASS SI CONCRETE (MISCELLANEOUS)	150 CY	120.9 CY
SUBBASE GRANULAR MATERIAL, TYPE A	153 CY	124 CY

NOTE: STATIONING BASE ON EXISTING CENTERLINE (I-270)

FILE NAME = DB76A91-Sht-MDTDET04.dgn

USER NAME = malopez
PLOT SCALE = #SCALE#
PLOT DATE = 3/16/2011

DESIGNED - JC
DRAWN - BH
CHECKED -
DATE - 1-01-11

REVISED -
REVISED -
REVISED -
REVISED -

**STATE OF ILLINOIS
DEPARTMENT OF TRANSPORTATION**

**SUGGESTED MAINTENANCE OF TRAFFIC
MISCELLANEOUS DETAIL**

SCALE: 1" = 40' SHEET NO. 4 OF 9 SHEETS STA. TO STA.

F.A.I. RTE.	SECTION	COUNTY	TOTAL SHEETS	SHEET NO.
270	60-1B-1	MADISON	712	205
CONTRACT NO. 76A91				
ILLINOIS FED. AID PROJECT				