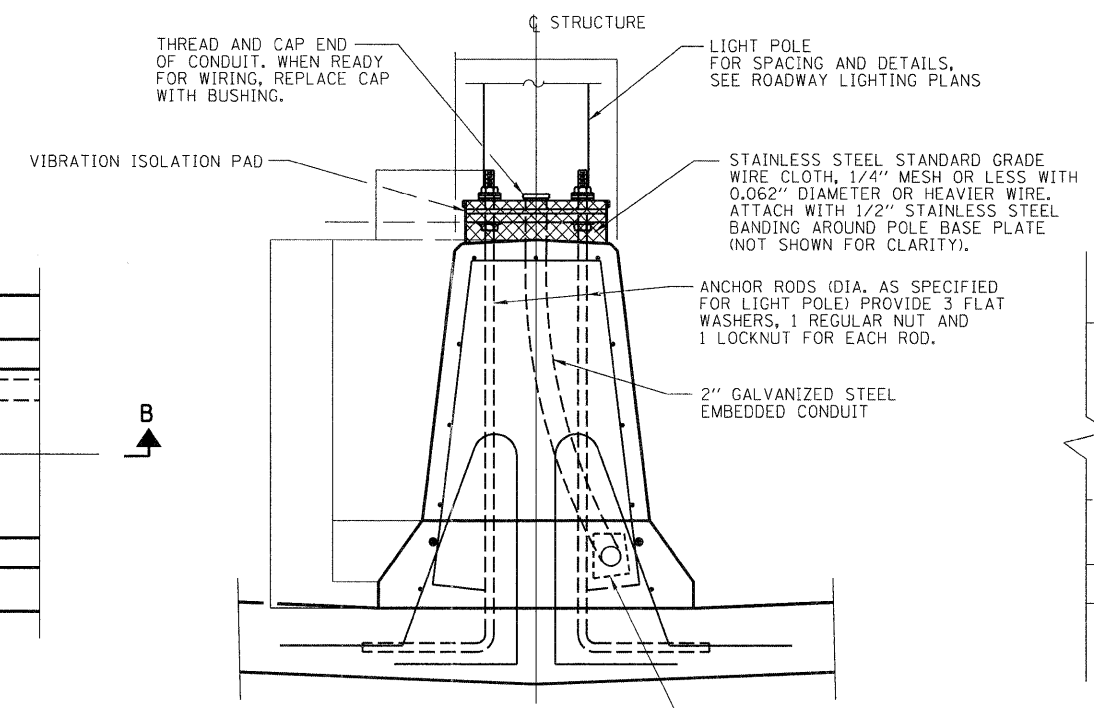
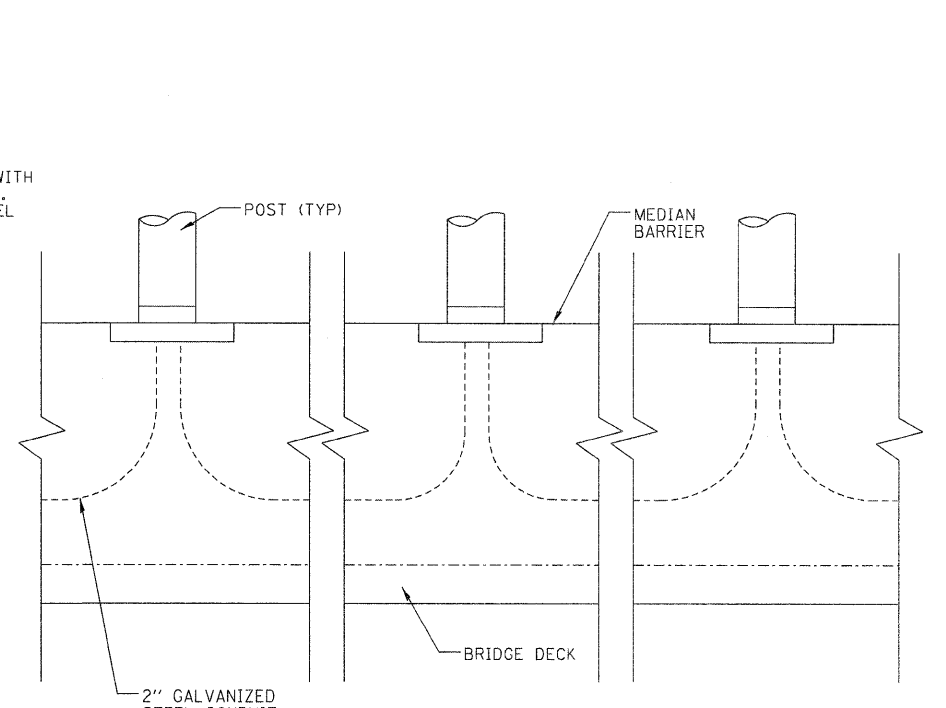


NOTE:
COST OF ANCHOR RODS AND
CONDUIT IS INCLUDED WITH
CONCRETE SUPERSTRUCTURE.

PLAN

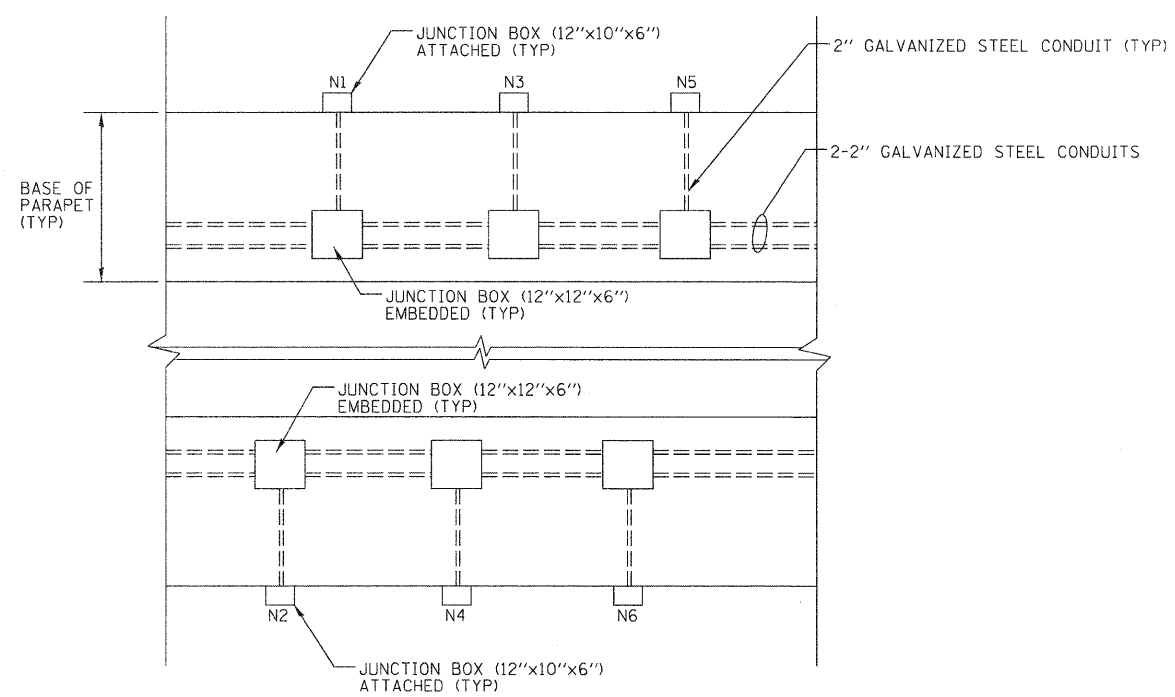


SECTION A-A

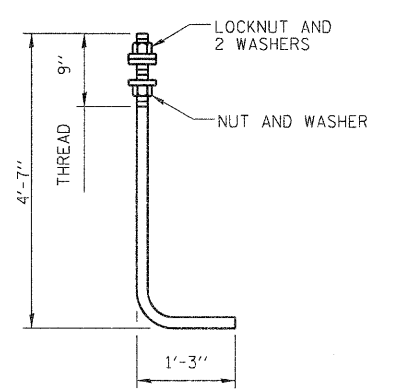


SECTION B-B

POLE LOCATION ON MEDIAN
(SEE NOTE 1) N.T.S.



DETAIL A
N.T.S.



ANCHOR ROD

NOTES:
1. SEE SHEET 340 FOR POLE BASE WIRING DETAIL.

DIAMETER AS SPECIFIED FOR LIGHT POLES.
(ASTM F 1554 GRADE 105)

FILE NAME = *FILEL*	USER NAME = #USER#	DESIGNED -	REVISED -	STATE OF ILLINOIS DEPARTMENT OF TRANSPORTATION	LIGHTING DETAILS INTERSTATE 270	FAI	SECTION	COUNTY	TOTAL SHEETS	SHEET NO.
	PLOT SCALE = #SCALE#	CHECKED -	REVISED -			270	60-1B-1	MADISON	712	339
ABNA engineering	PLOT DATE = #DATE#	DATE 3/18/11	REVISED -	SCALE:	SHEET NO. 1 OF 10 SHEETS	STA.	TO STA.	CONTRACT NO. 76A91		
								ILLINOIS FED. AID PROJECT		