

\* Center of horizontal to center of splice dimension may vary. Verify before drilling holes in mounting tube.

**PLAN DETAIL "A"**  
 ☐ Span between Panel Points

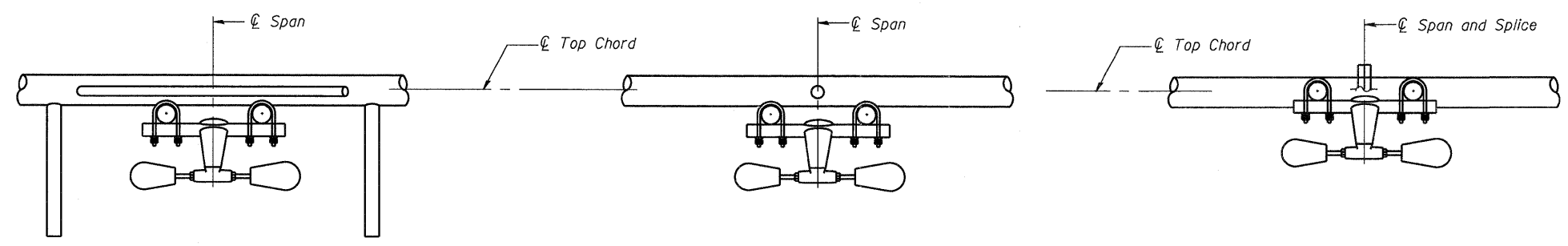
**PLAN DETAIL "B"**  
 ☐ Span at Panel Point

**PLAN DETAIL "C"**  
 ☐ Span at ☐ Chord Splice

**NOTES**

**Damper:** One damper per truss. (31 lbs. minimum Stockbridge-Type Aluminum - 29" minimum between ends of weights) Cost included in Overhead Sign Structure...

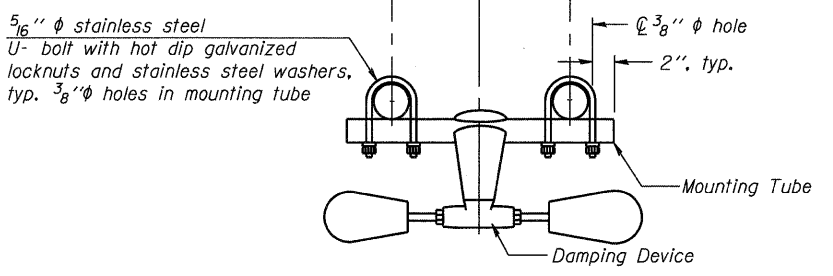
**Materials:** Materials: Aluminum tubes shall be ASTM B221 alloy 6061 temper T6. Cost included in Overhead Sign Structure...



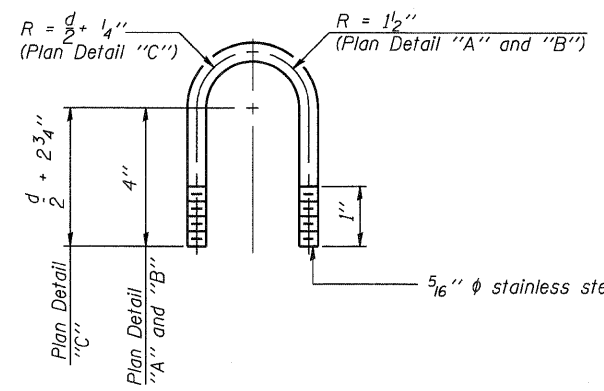
**SECTION A-A**

**SECTION B-B**

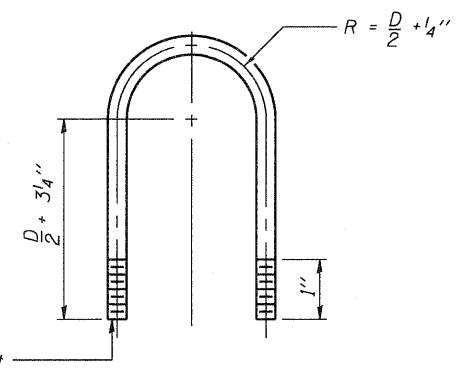
**SECTION C-C**



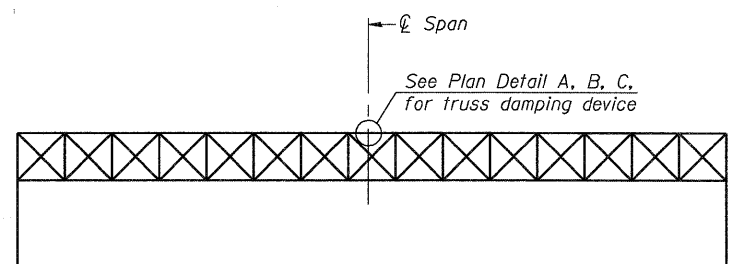
**TRUSS DAMPING DEVICE CONNECTION DETAIL**  
 (Typical)



**DAMPING DEVICE MOUNTING TUBE U-BOLT DETAIL**  
 (Typical)



**TOP CHORD TO CROSS TUBE U-BOLT DETAIL**  
 (Typical - Detail "A" and "B")



**ELEVATION**  
 Aluminum Overhead Sign Truss

OS-A-D

1-20-11

FILE NAME = ... \0876A91-004-sign-08-a-d.dgn	USER NAME = .CFC.	DESIGNED - MCB	REVISED -
		CHECKED - GJB	REVISED -
		DRAWN - CFC	REVISED -
		CHECKED - MCB	REVISED -
CB PROJECT NO. 08029	PLOT SCALE = 0:1.000000 ' = 1" IN.		
	PLOT DATE = 3/14/2011		

STATE OF ILLINOIS  
 DEPARTMENT OF TRANSPORTATION

OVERHEAD SIGN STRUCTURE  
 DAMPING DEVICE

SHEET NO. 4 OF 11 SHEETS

<b>CB</b> Coombe-Bloxdorf P.C. - CIVIL ENGINEERS - - STRUCTURAL ENGINEERS - - LAND SURVEYORS - Design Firm License No. 184-002703				
F.A.I. RTE.	SECTION	COUNTY	TOTAL SHEETS	SHEET NO.
270	60-1B-1	MADISON	712	370
			CONTRACT NO. 76A91	
ILLINOIS FED. AID PROJECT				