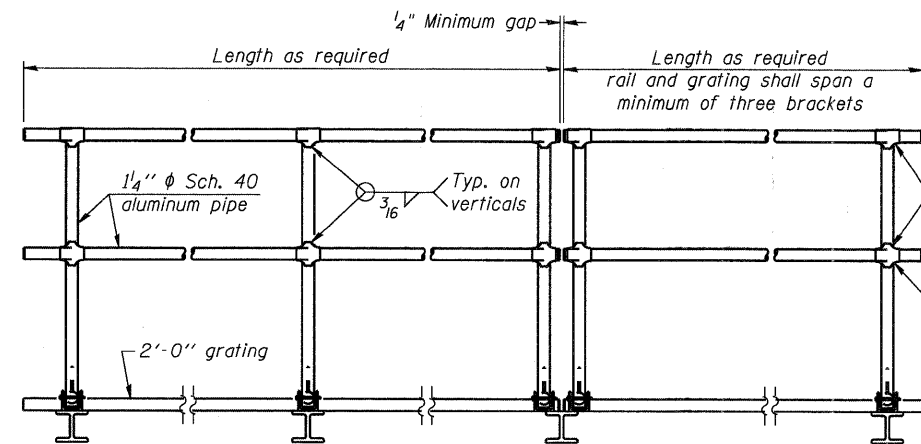


SIDE ELEVATION
(Showing safety chain w/o sign)

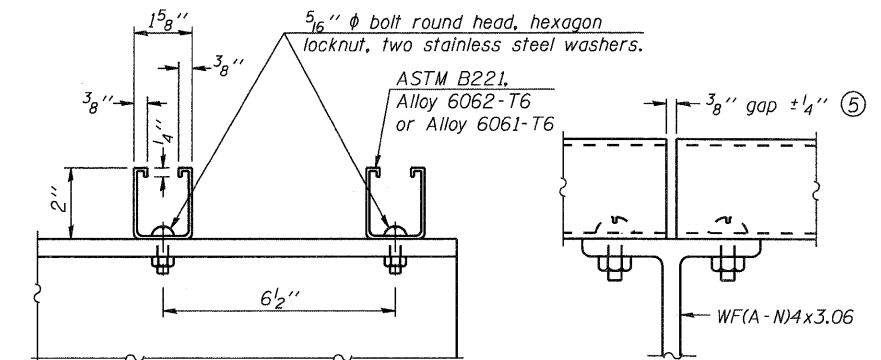
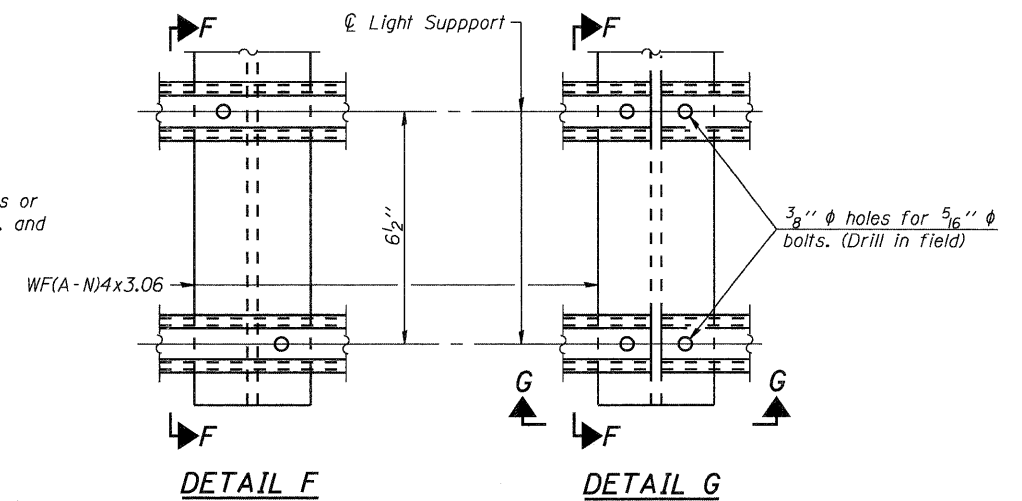


FRONT ELEVATION

HANDRAIL DETAILS

Handrail pipe shall be ASTM B241 or B429, Alloy 6063-T6 or Alloy 6061-T6.

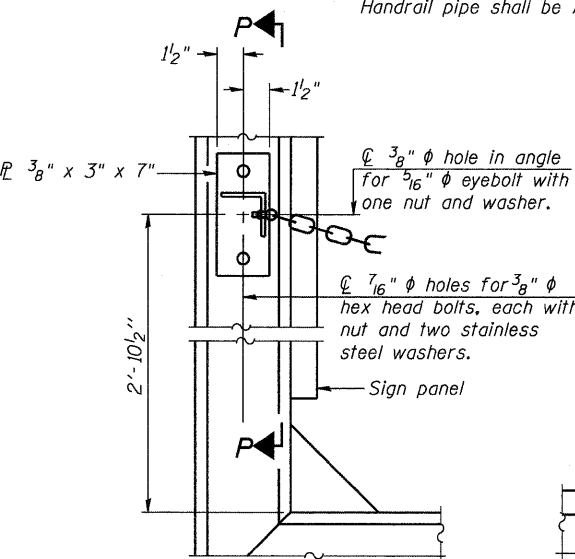
- Install standard force-fit end caps or weld 1/8" end plates with 3/8" c.f.w. and grind smooth. (All rail ends)
- Horizontal handrail member shall be continuous thru fitting. Provide 7/16" hole in fitting for 3/8" bolt. Field drill 7/16" hole in horizontal rail member. Provide locknut and two stainless steel washers for bolt. (Use 5/16" eyebolts in 7/16" holes on top rail at ends only.)



SECTION F-F **SECTION G-G**

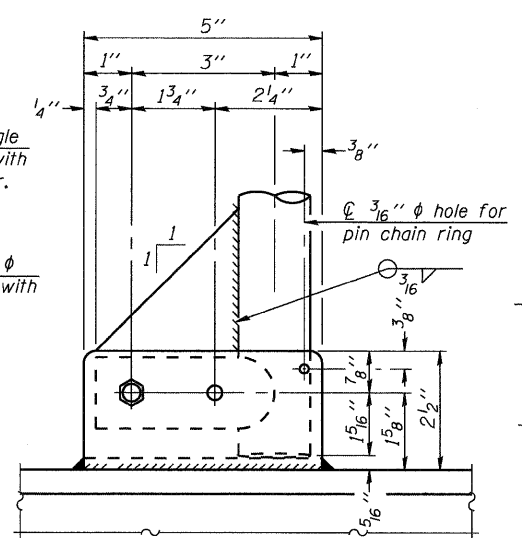
LIGHTING FIXTURE MOUNTS (IF REQUIRED)

- Field cut ends of light support channels shall be free of burrs or hazardous projections and coated with zinc-rich primer or equivalent.

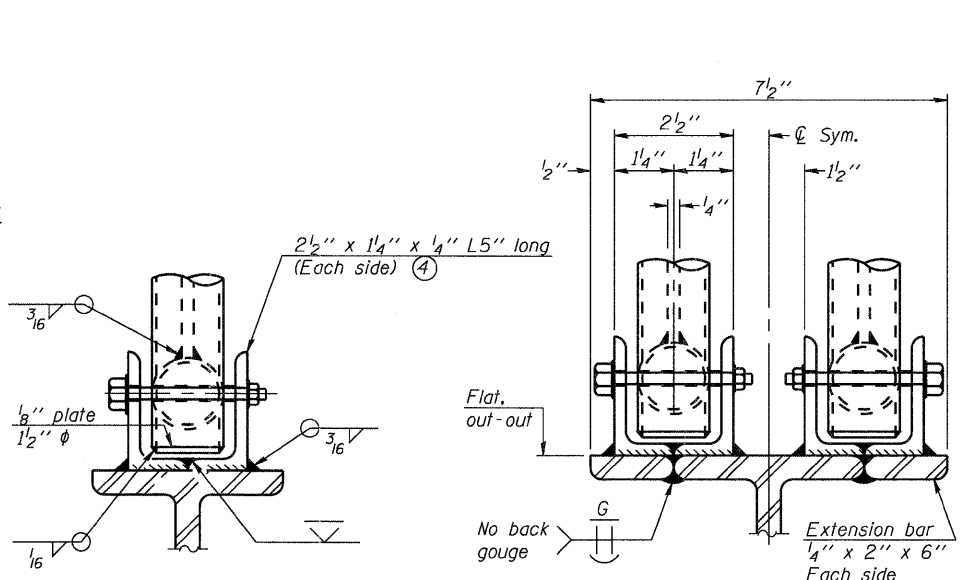


ALTERNATE SAFETY CHAIN ATTACHMENT
(With Sign Present)

Items not shown same as "Side Elevation" of "Handrail Details"

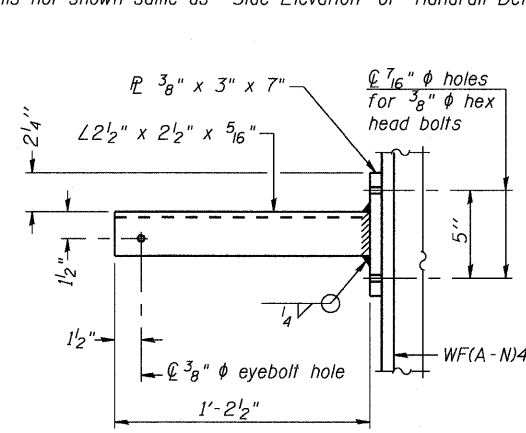


SIDE ELEVATION

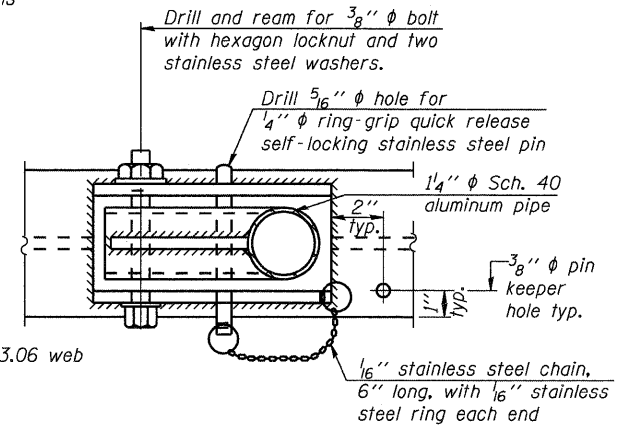


FRONT ELEVATION
See "Elevation" at right for dimensions.

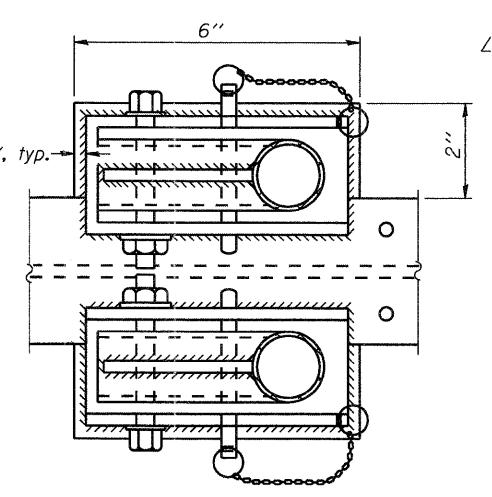
ELEVATION AT HANDRAIL JOINT ④



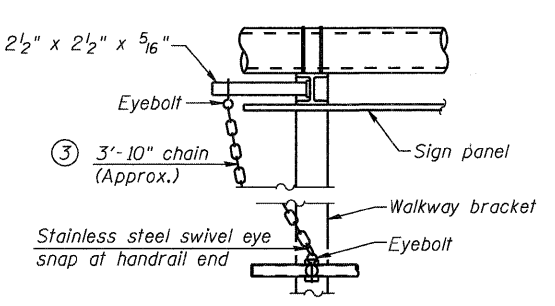
SECTION P-P



PLAN DETAIL E HANDRAIL HINGE

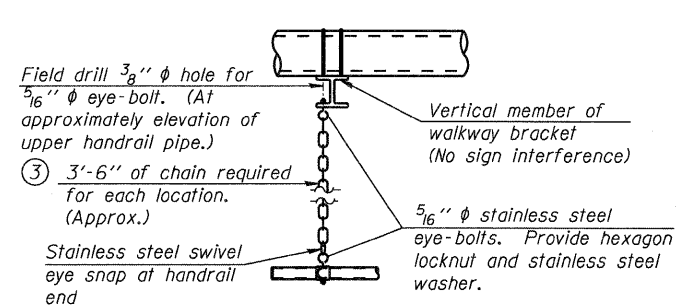


PLAN AT HANDRAIL JOINT
Details not shown same as "PLAN"



ALTERNATE SAFETY CHAIN ATTACHMENT
Details not shown similar to "Safety Chain" Details (Walkway omitted for clarity)

- 3/16" Type 304L stainless steel chain, approximately 12 links per foot.
- Extrusions may be used in lieu of the details shown, with approval of the Engineer.



SAFETY CHAIN

One required for each end of each walkway.

OS-A-11

1-20-11

FILE NAME = ...ND876A91-009-sign-os-a-11.dgn	USER NAME = .CFC.	DESIGNED - MCB	REVISED -
		CHECKED - GJB	REVISED -
	PLOT SCALE = 0:1.000000 1' / IN.	DRAWN - CFC	REVISED -
CB PROJECT NO. 88829	PLOT DATE = 3/14/2011	CHECKED - MCB	REVISED -

STATE OF ILLINOIS
DEPARTMENT OF TRANSPORTATION

OVERHEAD SIGN STRUCTURES
ALUMINUM HANDRAIL DETAILS
SHEET NO. 9 OF 11 SHEETS

CB Coombe-Bloxdorf P.C.
- CIVIL ENGINEERS -
- STRUCTURAL ENGINEERS -
- LAND SURVEYORS -
Design Firm License No. 184-002703

F.A.I. RTE.	SECTION	COUNTY	TOTAL SHEETS	SHEET NO.
270	60-1B-1	MADISON	712	375
			CONTRACT NO. 76A91	

ILLINOIS FED. AID PROJECT