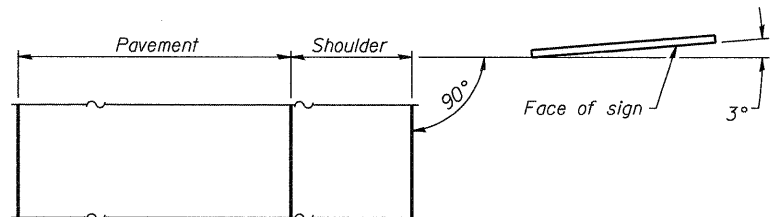
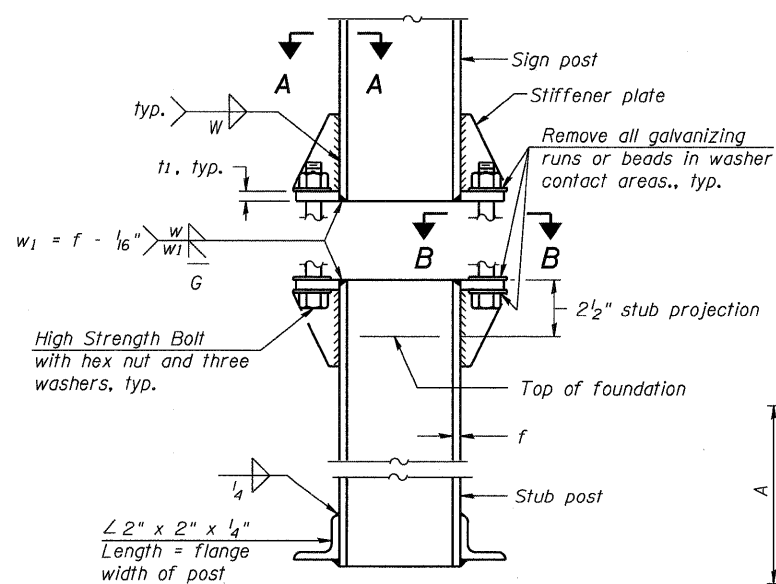


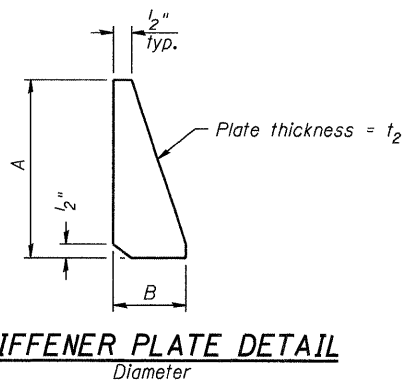
**ELEVATION**



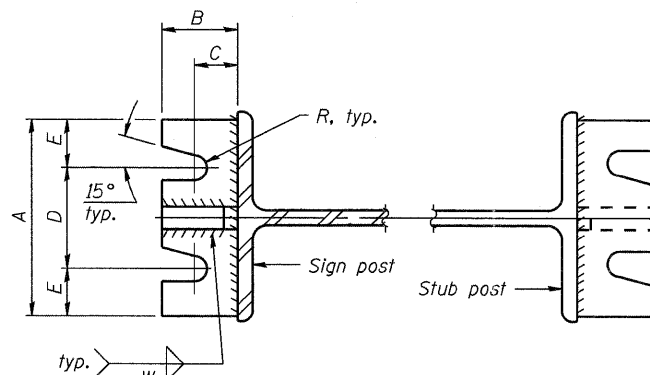
**LOCATION SKETCH**



**ELEVATION  
SIGN POST & STUB POST**

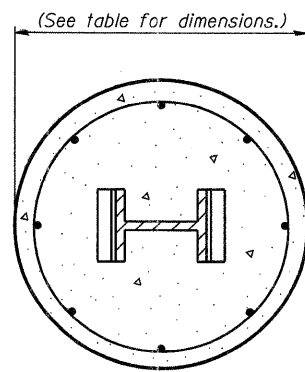


**STIFFENER PLATE DETAIL**

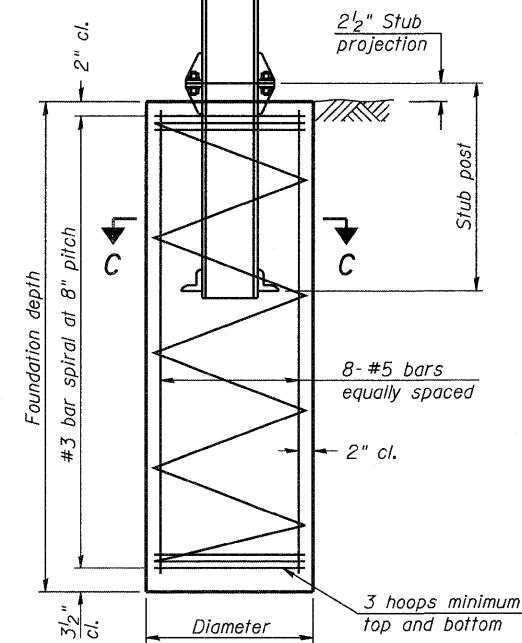


**SECTION A-A**

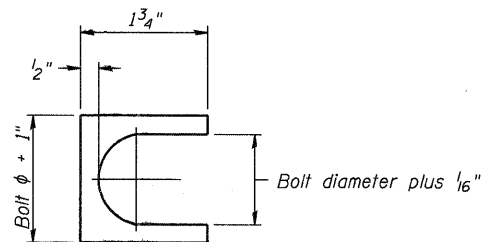
**SECTION B-B**



**SECTION C-C**

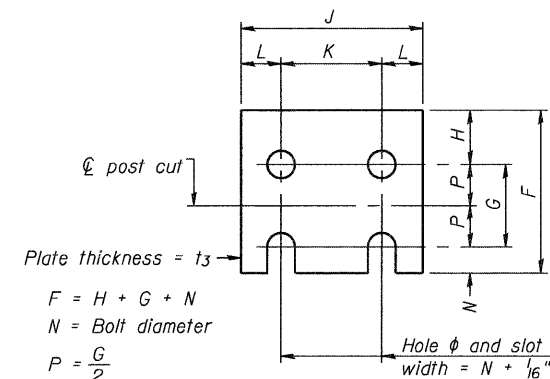


**SECTION D-D**



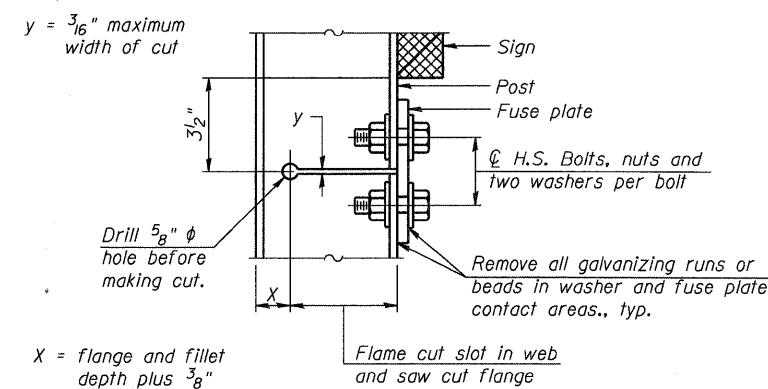
**SHIM DETAIL**

Furnish two 0.01" thick and two 0.03" thick stainless steel or brass (ASTM B36) shims per post.



**FUSE PLATE DETAIL**  
(Install with notches down.)

FUSE PLATE DATA		
N = Bolt Diameter	G	H
1/2"	2"	1 1/8"
5/8"	2 1/4"	1 1/4"
3/4"	2 1/2"	1 3/8"
7/8"	2 3/4"	1 1/2"
1"	3"	1 5/8"
1 1/8"	3 1/4"	1 3/4"
1 1/4"	3 1/2"	1 7/8"



**DETAIL H**

**GENERAL NOTES**

Posts shall be plumbed by using shims with post-to-stub post connection bolts snug tight only. Final tightening of all High Strength Bolts shall be in accordance with Article 727.05 and threads at the junction of the bolt and nut shall be burred or center punched to prevent the nut from loosening.

LOADING: 80 m.p.h. wind with 30% gust factor, normal to sign.

DESIGN STRESSES:  
Structural steel - 20,000 p.s.i.  
Reinforcing steel - 20,000 p.s.i.  
Concrete - 1,400 p.s.i.  
Footing soil pressure - 2,000 p.s.f.

After fabrication, the post, fuse plate and upper 6", min. of the stub post shall be hot-dip galvanized in accordance with AASHTO M111. All bolts, nuts and washers shall be hot-dip galvanized in accordance with AASHTO M232.

Work this sheet with Base Sheet BAW-A-2.

BAW-A-1

1-20-11

FILE NAME = ...76A91-001-sign-baw-a-1.dgn

USER NAME = .CFC.

DESIGNED - MCB

REVISIONS -

CHECKED - GJB

REVISIONS -

PLOT SCALE = 0.1000000 1' / IN.

DRAWN - CFC

REVISIONS -

PLOT DATE = 3/14/2011

CHECKED - MCB

REVISIONS -

STATE OF ILLINOIS  
DEPARTMENT OF TRANSPORTATION

BREAK-AWAY WIDE FLANGE  
STEEL SIGN POST DETAILS

SHEET NO. 1 OF 2 SHEETS

**CB** Coombe-Bloxdorf P.C.  
- CIVIL ENGINEERS -  
- STRUCTURAL ENGINEERS -  
- LAND SURVEYORS -  
Design Firm License No. 184-002703

F.A.I. RTE.	SECTION	COUNTY	TOTAL SHEETS	SHEET NO.
270	60-1B-1	MADISON	712	378

CONTRACT NO. 76A91

ILLINOIS FED. AID PROJECT

(Sheet 1 of 2)

CB PROJECT NO. 08029