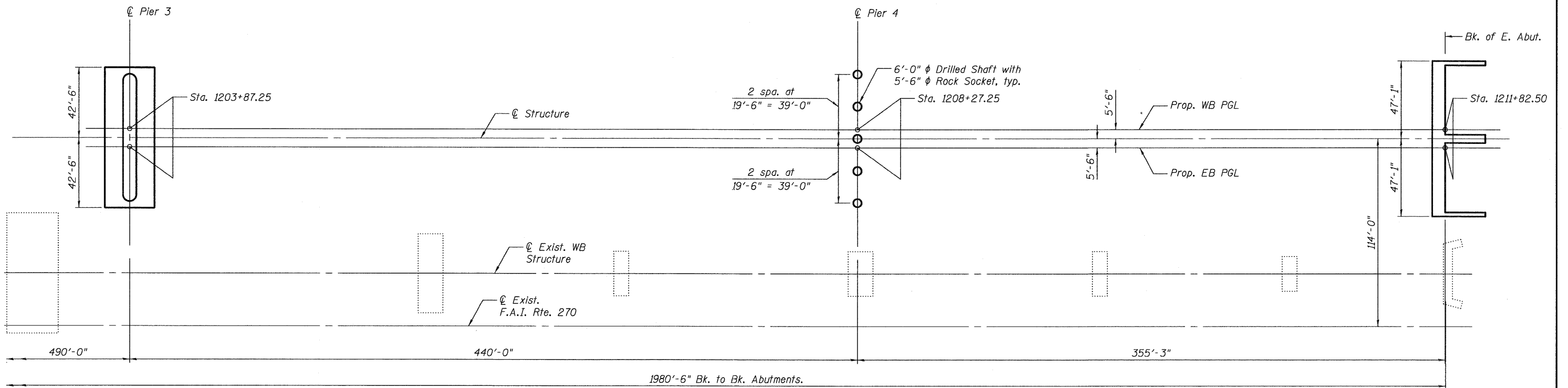


**PARTIAL PLAN**



**PARTIAL PLAN**

3/15/2011 2:12:21 PM  
 c:\pwworking\hmc\d0549104\0600345-76A91-004-FTL.dgn  
 jmgus

 <b>HDR ENGINEERING, INC.</b>	USER NAME = jmgus	DESIGNED - BWC	REVISED -	<b>STATE OF ILLINOIS</b> <b>DEPARTMENT OF TRANSPORTATION</b>	<b>FOOTING LAYOUT</b> <b>STRUCTURE NO. 060-0345</b>	F.A.I. RTE. 270	SECTION 60-1B-1	COUNTY MADISON	TOTAL SHEETS 712	SHEET NO. 383
	FILE NAME = 0600345-76A91-004-FTL.DGN	CHECKED - LGP	REVISED -			<b>CONTRACT NO. 76A91</b>				
	PLOT SCALE = NONE	DRAWN - JM	REVISED -			BRIDGE SHEET NO. 4 OF 133 SHEETS				
	PLOT DATE = 3/18/2011	CHECKED - BSK	REVISED -			ILLINOIS FED. AID PROJECT				