

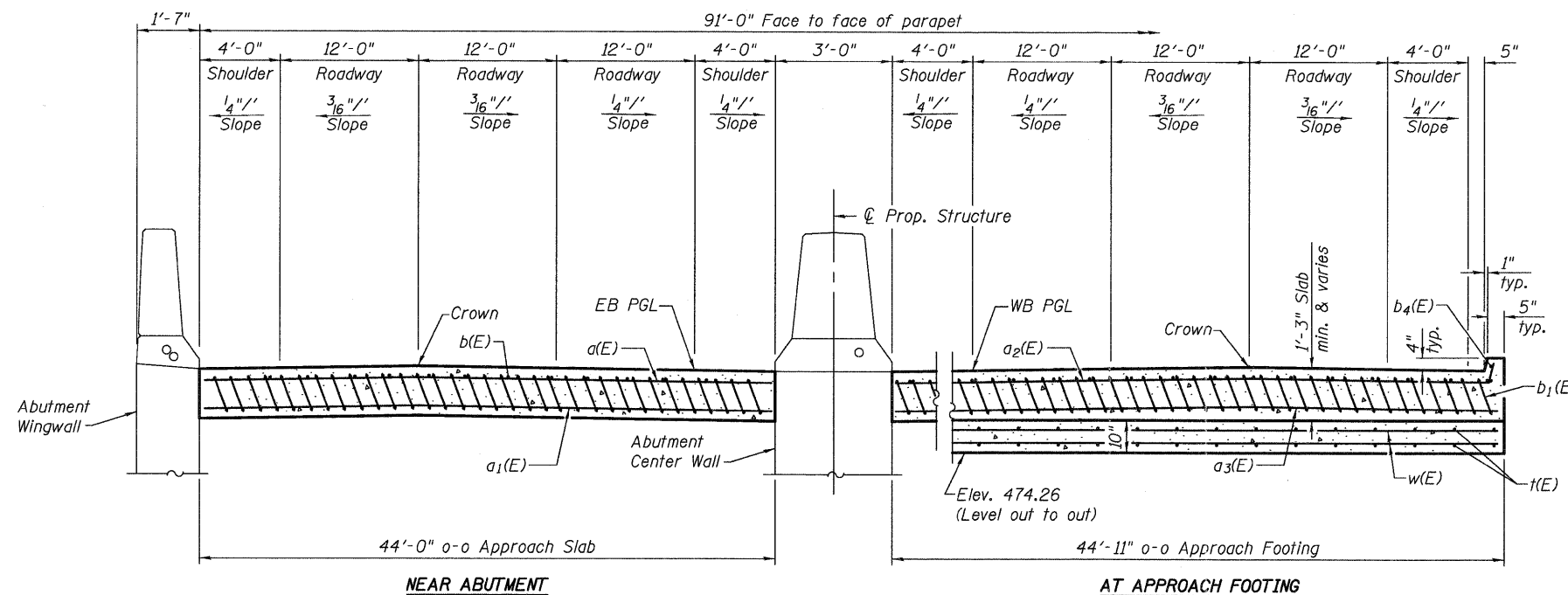
\* Tilt #9 b<sub>1</sub>(E) bars as required to maintain clearance.  
 \*\*\* Cost included with Concrete Superstructure.

\*\*\* 10 mil. Polyethylene bond breaker on steel trowel finish

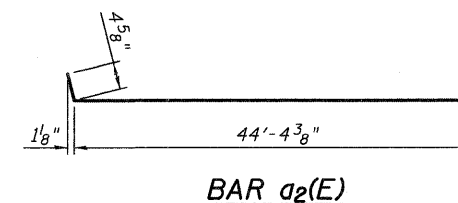
**SECTION C-C**

**WEST APPROACH  
BILL OF MATERIAL**

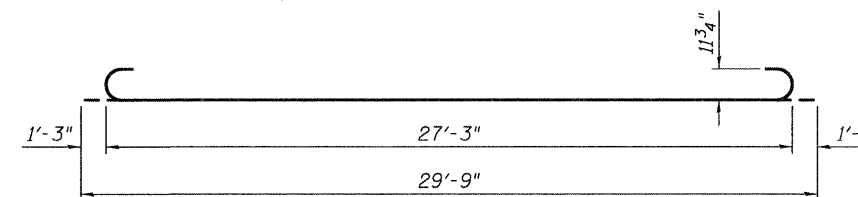
Bar	No.	Size	Length	Shape	
a(E)	36	#4	43'-6"	—	
a <sub>1</sub> (E)	68	#5	43'-6"	—	
a <sub>2</sub> (E)	12	#4	44'-9"	—	
a <sub>3</sub> (E)	22	#5	44'-5"	—	
b(E)	72	#4	29'-8"	—	
b <sub>1</sub> (E)	210	#9	29'-9"	—	
b <sub>4</sub> (E)	2	#4	6'-11"	—	
t(E)	180	#4	9'-8"	—	
w(E)	80	#5	44'-7"	—	
Concrete Superstructure				Cu. Yd.	133.2
Concrete Structures				Cu. Yd.	27.8
Reinforcement Bars, Epoxy Coated				Pound	33,070



**SECTION D-D**  
(See Plan for dimensions not shown)



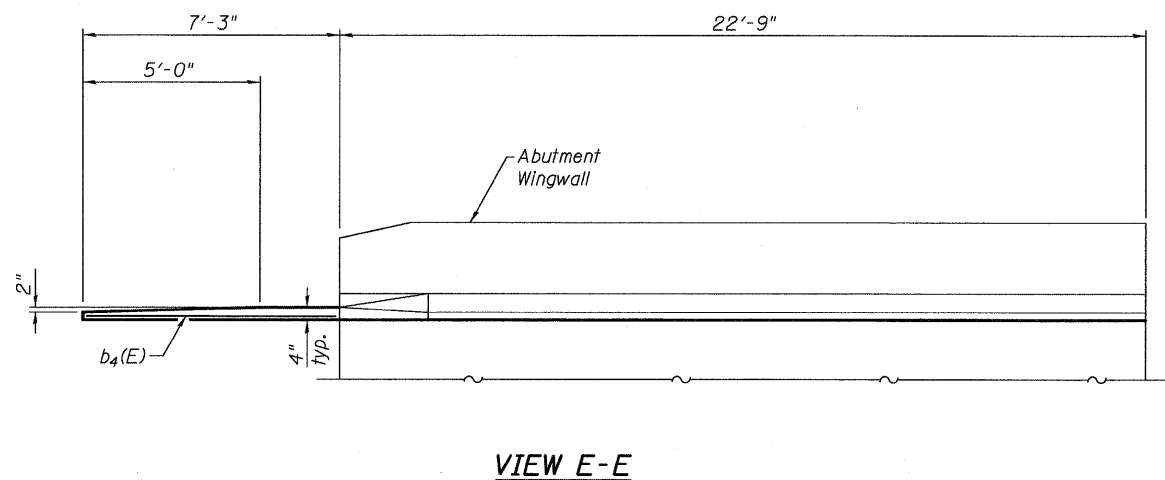
**BAR a<sub>2</sub>(E)**



**BAR b<sub>1</sub>(E)**

**NOTES:**

- See sheet 41 of 133 for Detail A and View B-B.
- Approach slab concrete shall be paid for as Concrete Superstructure.
- Approach footing concrete shall be paid for as Concrete Structures.
- Reinforcement shall be paid for as Reinforcement Bars, Epoxy Coated.
- For v<sub>50</sub>(E) bar details, see sheet 85 of 133.
- The approach footing maximum applied service bearing pressure (Q<sub>max</sub>) = 2.0 ksf.
- For bar splicer details, see sheet 104 of 133.
- Cost of excavation for approach footing included with Concrete Structures.
- For Porous Granular Embankment (Special) and drainage treatment details, see sheet 2 of 133.



**VIEW E-E**

c:\pwworking\king\oma\d0549\04\0600345-76A91-042-ASD.dgn 3/15/2011 2:15:12 PM jimgus