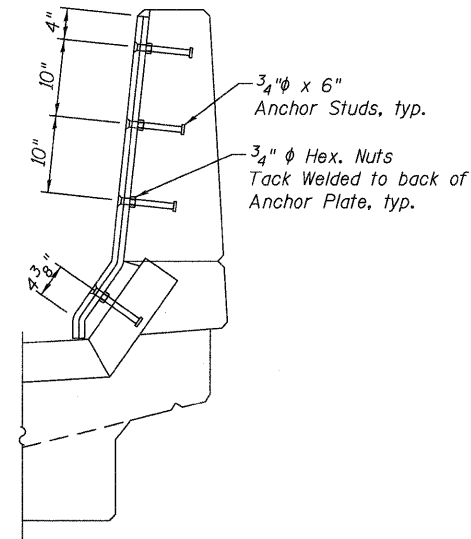


SECTION D-D

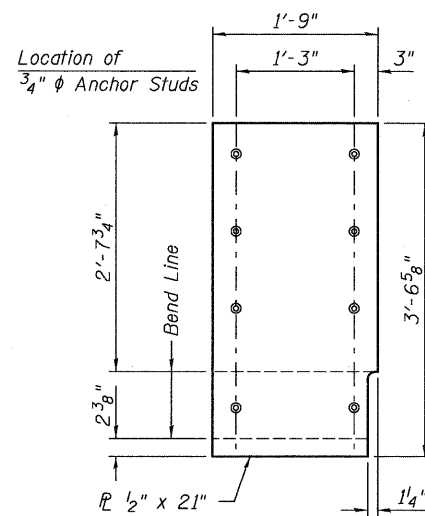
PARAPET ELEVATION AT MODULAR EXP. JOINT

All dimensions are at 50°F
(N. Parapet shown, S. Parapet & Median Barrier similar)

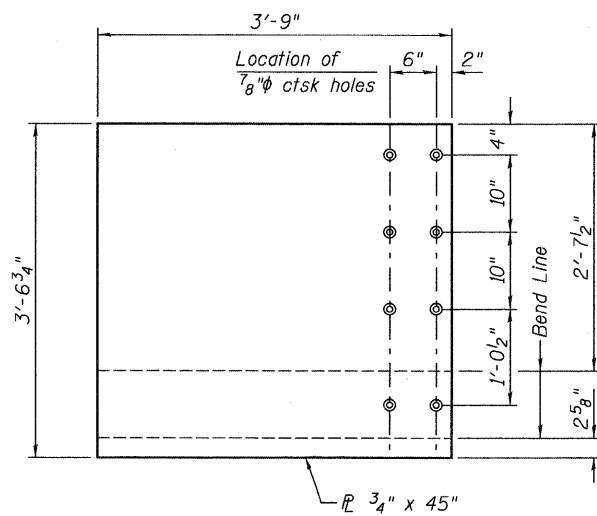


SECTION E-E

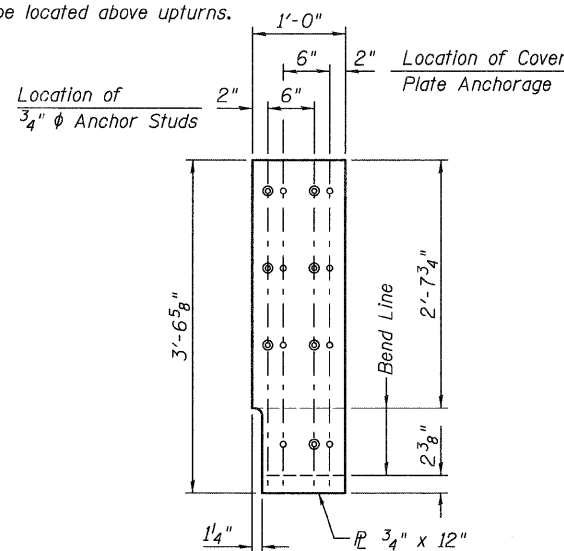
Note:
Conduit in Median Wall to be located above upturns.



SLIDE PLATE



COVER PLATE



ANCHOR PLATE

BILL OF MATERIAL

Item	Unit	Total
Modular Expansion Joint 21"	Foot	176.0

NOTES:

- All plates shall be ASTM-A36 steel and galvanized after fabrication in accordance with ASTM-A123.
- Cover plates shall be mounted towards oncoming traffic.
- Plastic caps shall be utilized on back of nuts to prevent concrete from entering threads.

ca:\pwworking\ome\d0549104\0600345-76A91-046-EXP.dgn
jmigus

3/15/2011
2:45:35 PM



USER NAME = jmigus
FILE NAME = 0600345-76A91-046-EXP.DGN
PLOT SCALE = NONE
PLOT DATE = 3/18/2011

DESIGNED - BWC
CHECKED - LGP
DRAWN - JM
CHECKED - BSK

REVISED -
REVISED -
REVISED -
REVISED -

STATE OF ILLINOIS
DEPARTMENT OF TRANSPORTATION

MODULAR EXPANSION JOINT DETAILS
STRUCTURE NO. 060-0345

BRIDGE SHEET NO. 46 OF 133 SHEETS

F.A.I. RTE.	SECTION	COUNTY	TOTAL SHEETS	SHEET NO.
270	60-1B-1	MADISON	712	425
				CONTRACT NO. 76A91
ILLINOIS FED. AID PROJECT				