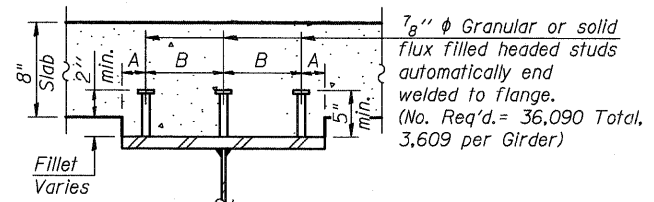


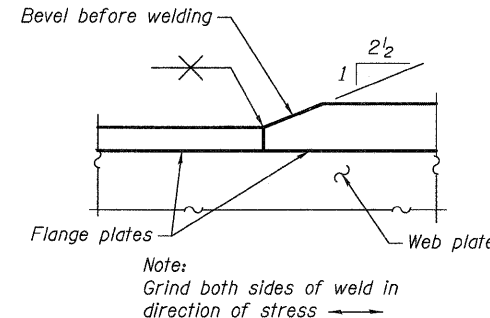
**PARTIAL GIRDER ELEVATION - SPAN 1**

"NTR" denotes plates to which notch toughness requirements are applicable.

Flange Width	Dim A	Dim B
26"	4"	9"
32"	4"	12"
36"	4"	14"

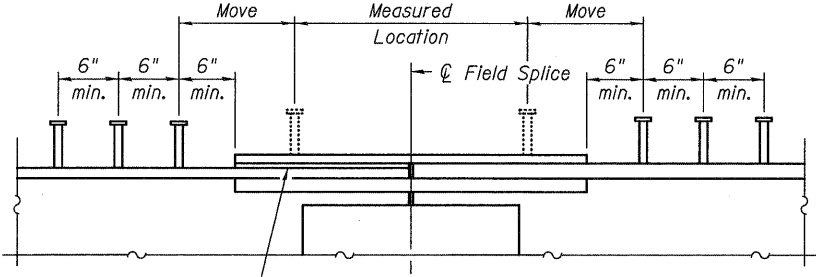


**SECTION A-A**



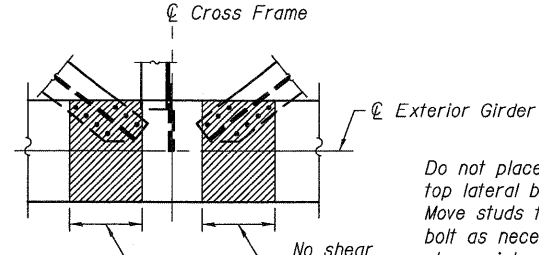
**DETAIL B**

(To be used at flange thickness transition)



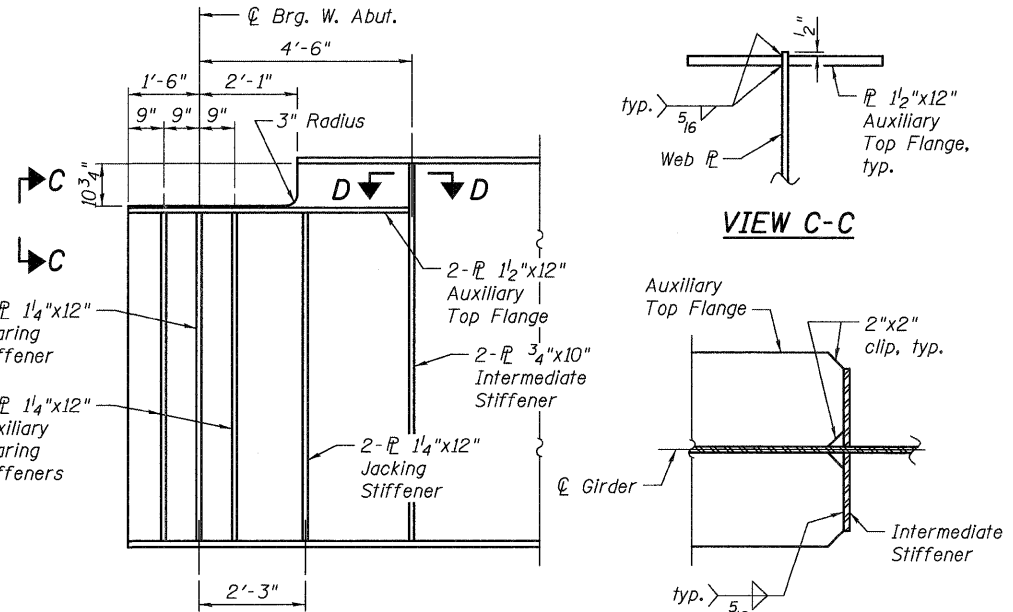
**DETAIL E**  
(at Splices)

Do not place shear connectors on splice plates. Move studs to 6" beyond nearest edge of splice plate from measured location and space moved rows at 6" min.



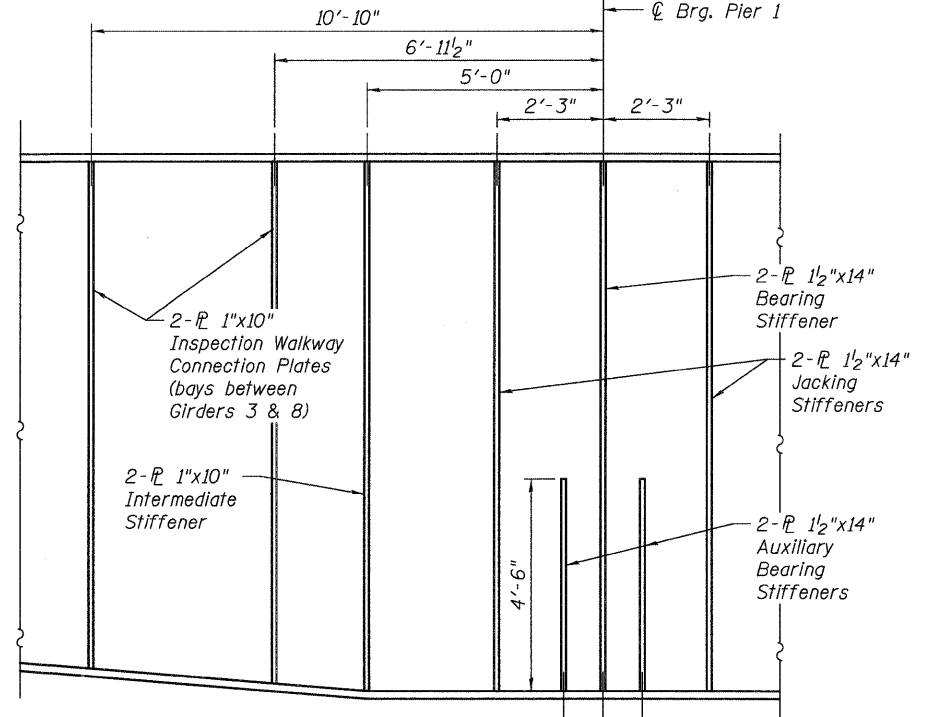
**DETAIL F**

(at Top Lateral Bracing connections)



**DETAIL C**

**SECTION D-D**



**DETAIL D**

**NOTES:**

1. For Stiffener Details, see sheet 62 of 133.
2. For General Notes, see sheet 3 of 133.
3. For Field Splice Details, see sheet 63 of 133.
4. For Inspection Walkway Details, see sheets 68 thru 71 of 133.
5. Load carrying components designated "NTR" shall conform to the Supplemental Requirements for Notch Toughness, Zone 2.

3/15/2011 2:16:40 PM c:\pwworking\king\oma\d0549104\0600345-76A91-053-GDE.dgn jmgus



USER NAME = jmgus	DESIGNED - BWC	REVISED -
FILE NAME = 0600345-76A91-053-GDE.DGN	CHECKED - LGP	REVISED -
PLOT SCALE = NONE	DRAWN - JM	REVISED -
PLOT DATE = 3/18/2011	CHECKED - BSK	REVISED -

**STATE OF ILLINOIS  
DEPARTMENT OF TRANSPORTATION**

**GIRDER ELEVATION  
STRUCTURE NO. 060-0345**  
BRIDGE SHEET NO. 53 OF 133 SHEETS

F.A.I. RTE.	SECTION	COUNTY	TOTAL SHEETS	SHEET NO.
270	60-1B-1	MADISON	712	432
<b>CONTRACT NO. 76A91</b>				

ILLINOIS FED. AID PROJECT