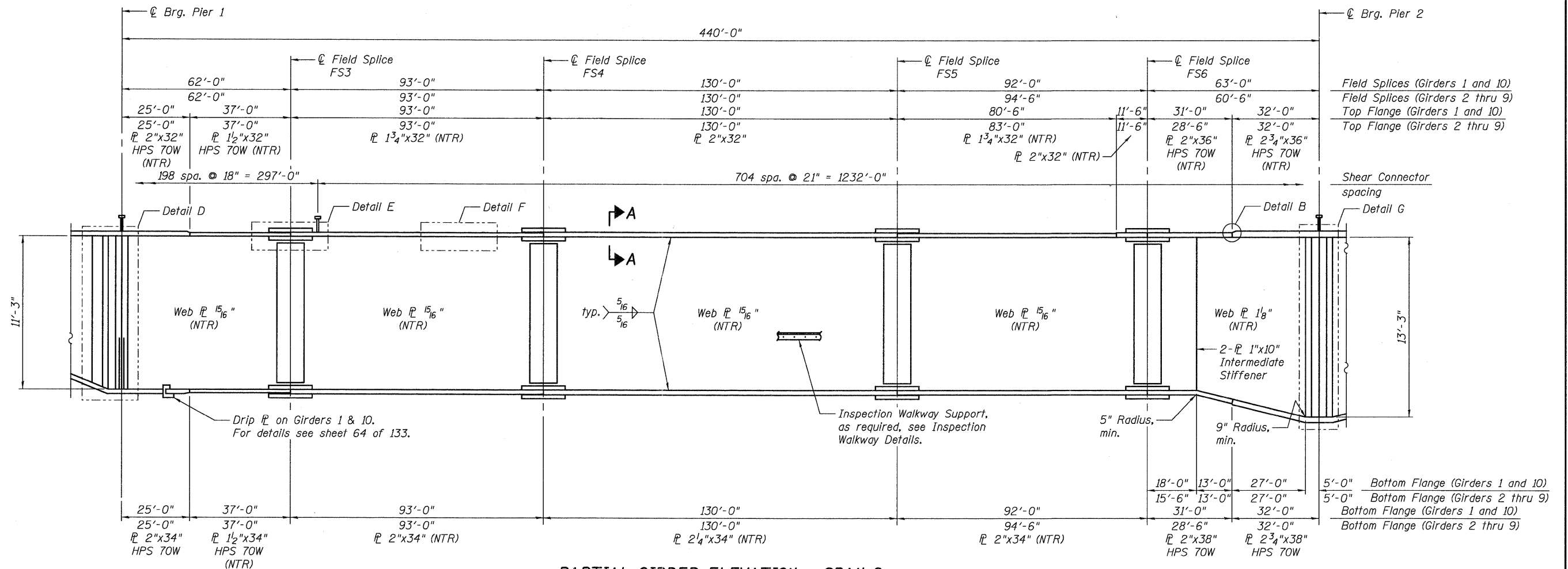
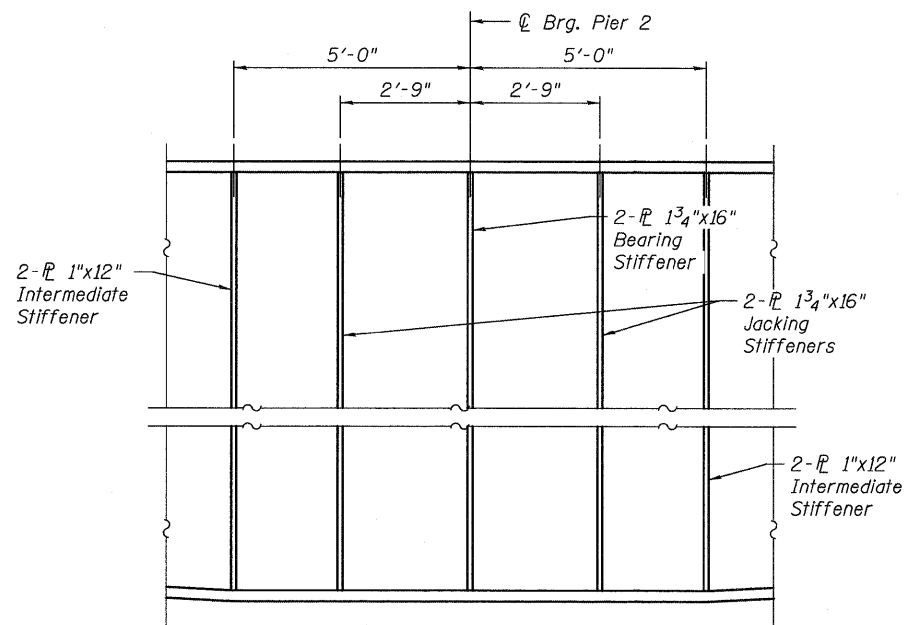


1970'-0" ϕ to ϕ Abutment Brgs.



PARTIAL GIRDER ELEVATION - SPAN 2

"NTR" denotes plates to which notch toughness requirements are applicable.



DETAIL G

NOTES:

1. For Section A-A, see sheet 53 of 133.
2. For Details B, D, E, and F, see sheet 53 of 133.
3. For Stiffener Details, see sheet 62 of 133.
4. For General Notes, see sheet 3 of 133.
5. For Field Splice Details, see sheet 63 of 133.
6. For Inspection Walkway Details, see sheets 68 thru 71 of 133.
7. Work this sheet with sheet 53 of 133.

c:\pwworking\omac\d0549\04\0600345-76A91-054-GDE.dgn
3/15/2011 2:16:16 PM

	USER NAME = jmgjgus	DESIGNED - BWC	REVISED -	STATE OF ILLINOIS DEPARTMENT OF TRANSPORTATION	GIRDER ELEVATION STRUCTURE NO. 060-0345		F.A.I. RTE.	SECTION	COUNTY	TOTAL SHEETS	SHEET NO.
	FILE NAME = 0600345-76A91-054-GDE.DGN	CHECKED - LGP	REVISED -		270	60-1B-1	MADISON	712	433		
	PLOT SCALE = NONE	DRAWN - JM	REVISED -		CONTRACT NO. 76A91						
	PLOT DATE = 3/18/2011	CHECKED - BSK	REVISED -		ILLINOIS FED. AID PROJECT						