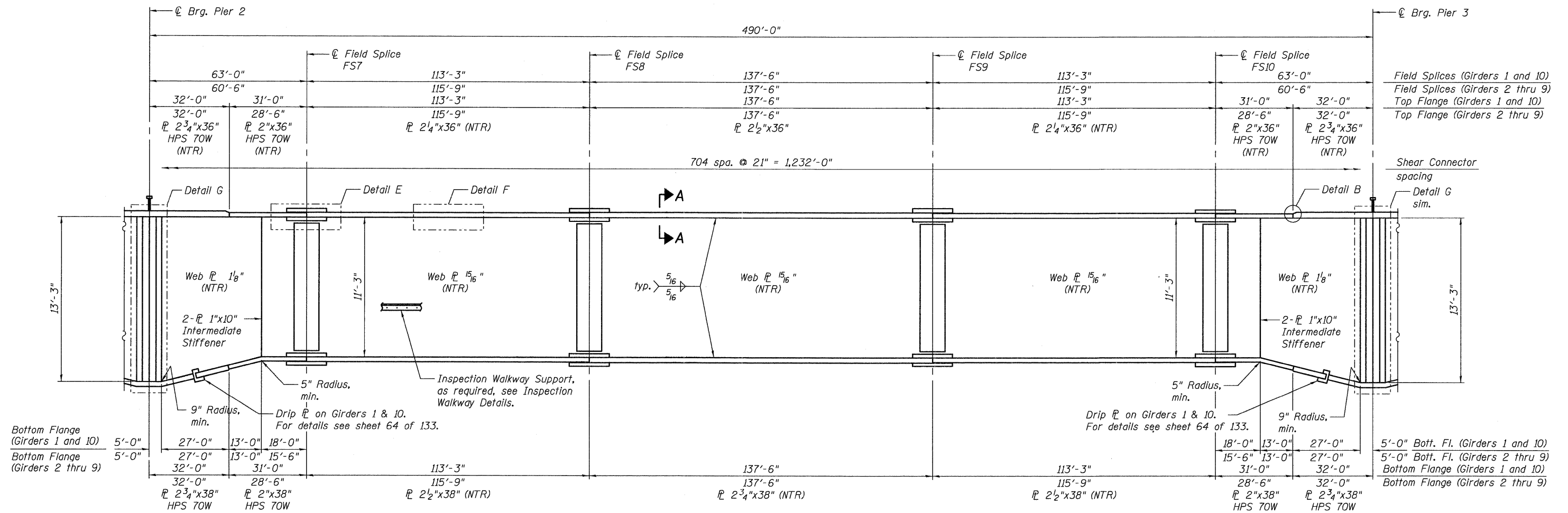


1970'-0" ϕ to ϕ Abutment Brgs.



PARTIAL GIRDER ELEVATION - SPAN 3

"NTR" denotes plates to which notch toughness requirements are applicable.

NOTES:

1. For Section A-A, see sheet 53 of 133.
2. For Details B, E, and F, see sheet 53 of 133.
3. For Detail G, see sheet 54 of 133.
4. For Stiffener Details, see sheet 62 of 133.
5. For General Notes, see sheet 3 of 133.
6. For Field Splice Details, see sheet 63 of 133.
7. For Inspection Walkway Details, see sheets 68 thru 71 of 133.
8. Work this sheet with sheet 53 of 133.

3/15/2011 2:16:21 PM c:\pwworking\hdm\cd0549\04\0600345-76A91-055-GDE.dgn jmgus



USER NAME = jmgus
 FILE NAME = 0600345-76A91-055-GDE.DGN
 PLOT SCALE = NONE
 PLOT DATE = 3/18/2011

DESIGNED - BWC
 CHECKED - LGP
 DRAWN - JM
 CHECKED - BSK

REVISED -
 REVISED -
 REVISED -
 REVISED -

STATE OF ILLINOIS
 DEPARTMENT OF TRANSPORTATION

GIRDER ELEVATION
 STRUCTURE NO. 060-0345

BRIDGE SHEET NO. 55 OF 133 SHEETS

F.A.I. RTE.	SECTION	COUNTY	TOTAL SHEETS	SHEET NO.
270	60-1B-1	MADISON	712	434
				CONTRACT NO. 76A91
ILLINOIS FED. AID PROJECT				