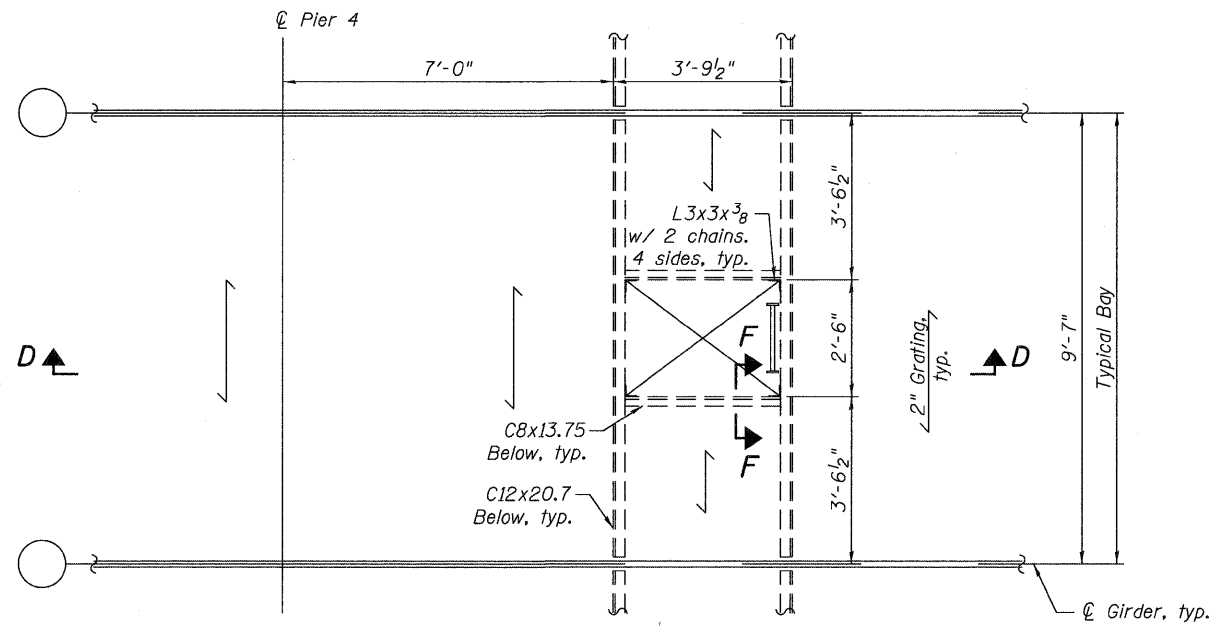
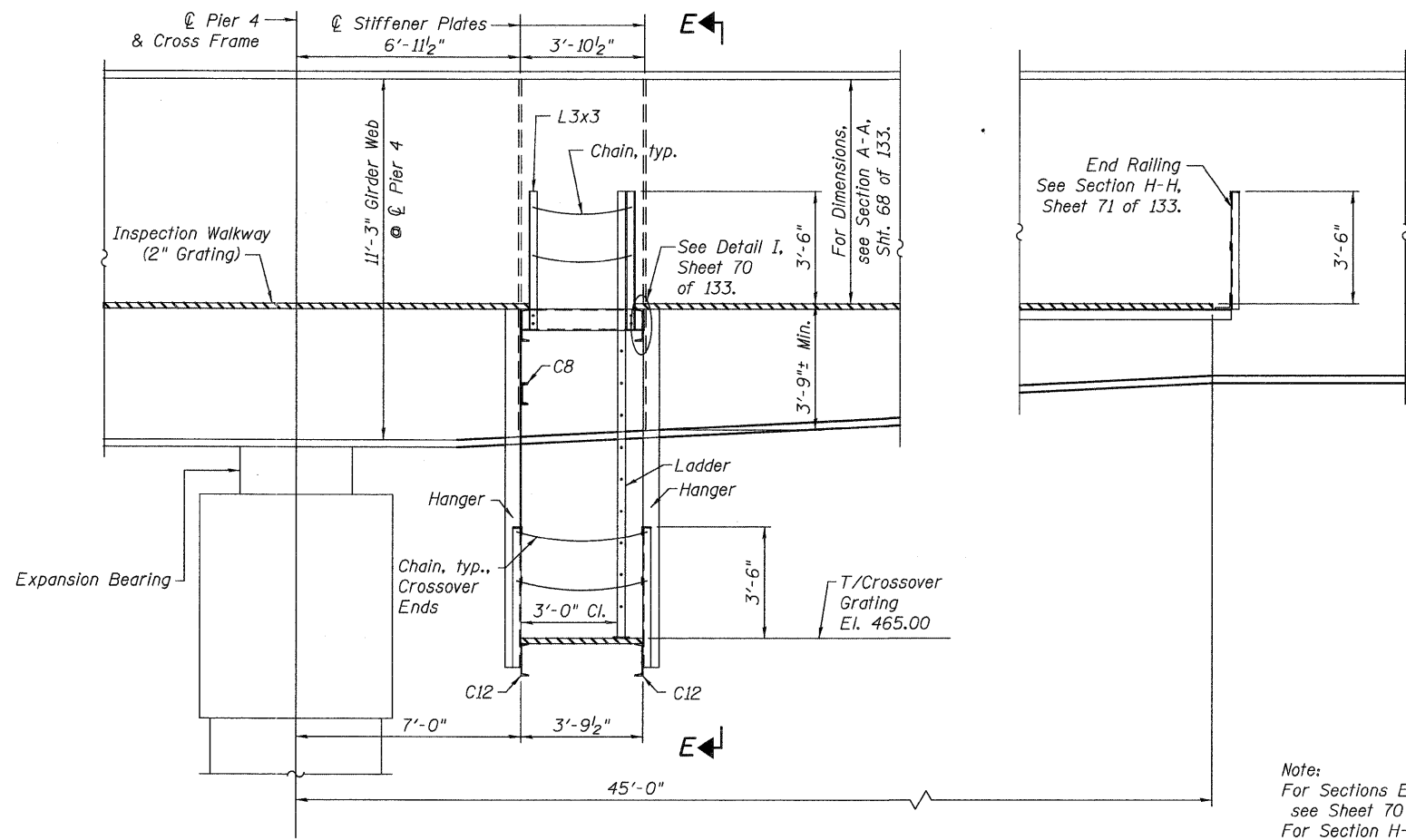


DETAIL AT LADDER



TYPICAL WALKWAY OPENING PLAN

Similar at West Side of Pier 1



SECTION D-D

(Looking North)
Pier 4 shown, Pier 1 similar

Note:
For Sections E-E & F-F and Detail I,
see Sheet 70 of 133.
For Section H-H, see Sheet 71 of 133.