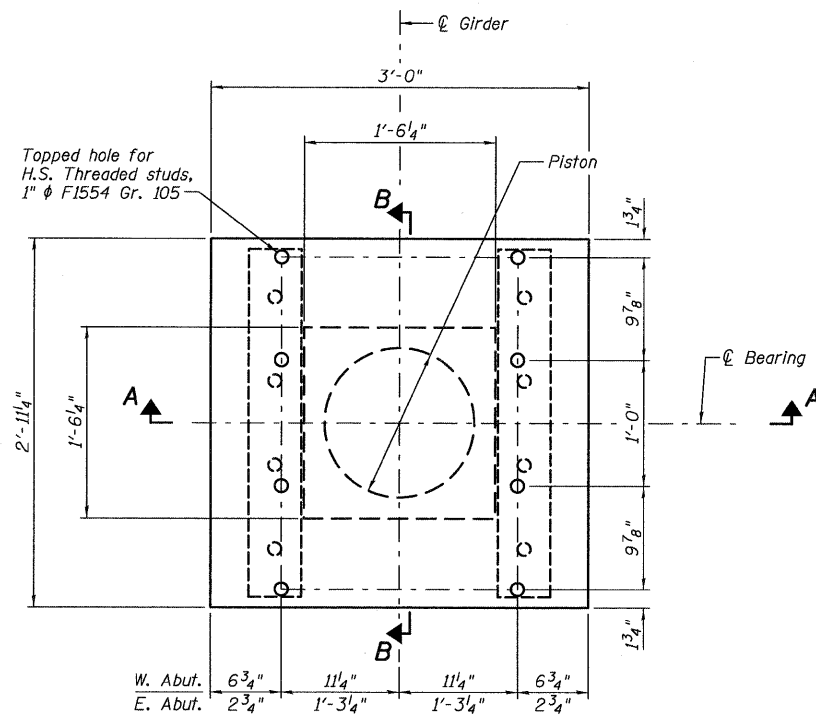
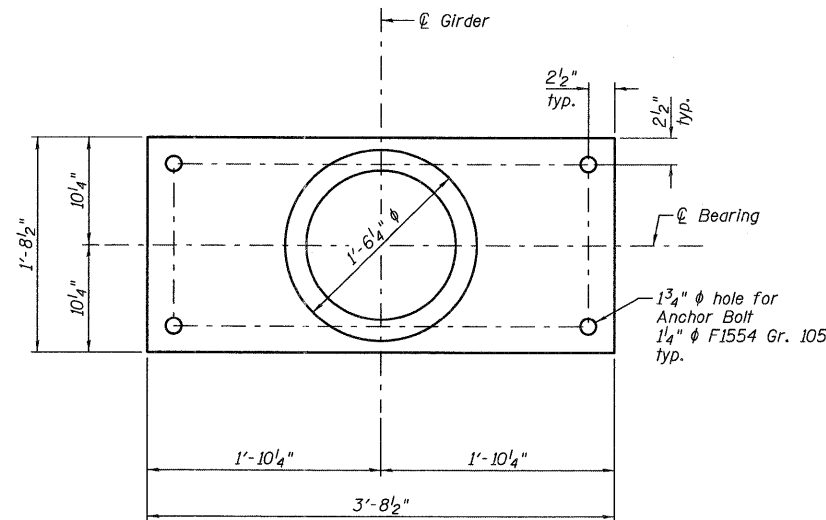


DESIGN DATA

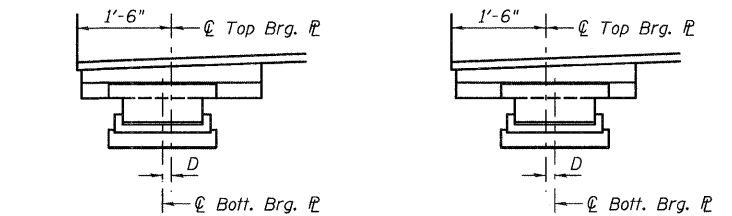
Service Vertical Design Load = 550k
 Factored Horizontal Design Load = 220k
 Factored Design Rotation = 0.03 rad
 Total Required Movement = 16 1/2"



TOP BEARING PL AND BASE PISTON PLAN
 (Girder and bearing stiffeners not shown for clarity)



BOTTOM BEARING PL AND BASE CYLINDER PLAN



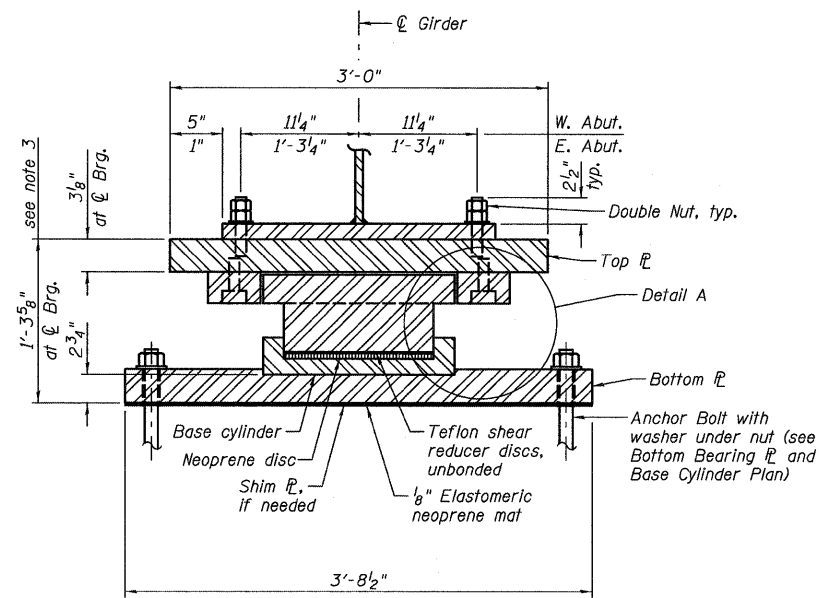
BELOW 50° F.
 (Move bottom brg. PL away from fixed brg.)

ABOVE 50° F.
 (Move bottom brg. PL toward fixed brg.)

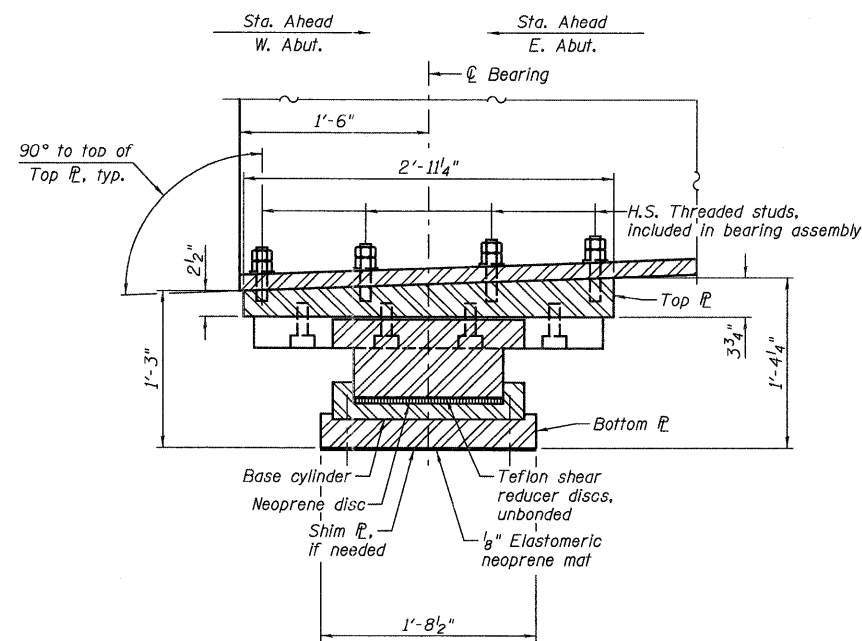
SETTING ANCHOR BOLTS AT EXP. BRG.
 D = 1/8" per each 100' of expansion for every 15° temp. change from the normal temp. of 50° F.

BILL OF MATERIAL

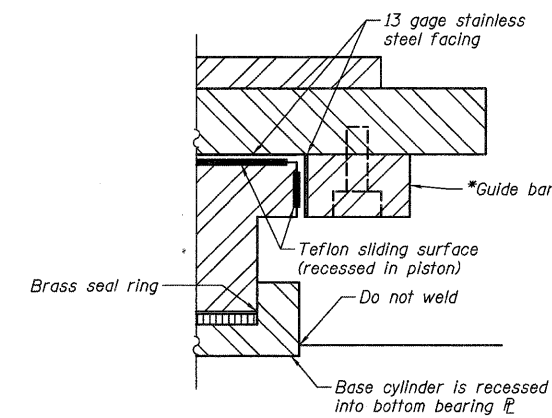
Item	Unit	Total
High Load Multi-Rotation Bearings, Guided Expansion, 550k	Each	20
Anchor Bolt 1 1/4" dia.	Each	80



SECTION A-A



SECTION B-B



DETAIL A

NOTES:

1. For HLMR Bearing Notes, see sheet 81 of 133.
2. Bearing height does not include neoprene mat or shims.
3. For Anchor Bolt Detail, see sheet 78 of 133.

c:\pwworking\king\omd\d0549104\06000345-76A91-079-BRG.dgn
 jmgus

3/15/2011
 2:18:35 PM



USER NAME = jmgus	DESIGNED - BWC	REVISED -
FILE NAME = 0600345-76A91-079-BRG.DGN	CHECKED - LGP	REVISED -
PLOT SCALE = NONE	DRAWN - JM	REVISED -
PLOT DATE = 3/18/2011	CHECKED - BSK	REVISED -

STATE OF ILLINOIS
 DEPARTMENT OF TRANSPORTATION

HLMR BEARING DETAILS - GUIDED EXPANSION - E. & W. ABUTMENTS
 STRUCTURE NO. 060-0345

BRIDGE SHEET NO. 79 OF 133 SHEETS

F.A.I. RTE.	SECTION	COUNTY	TOTAL SHEETS	SHEET NO.
270	60-1B-1	MADISON	712	458
				CONTRACT NO. 76A91

ILLINOIS FED. AID PROJECT