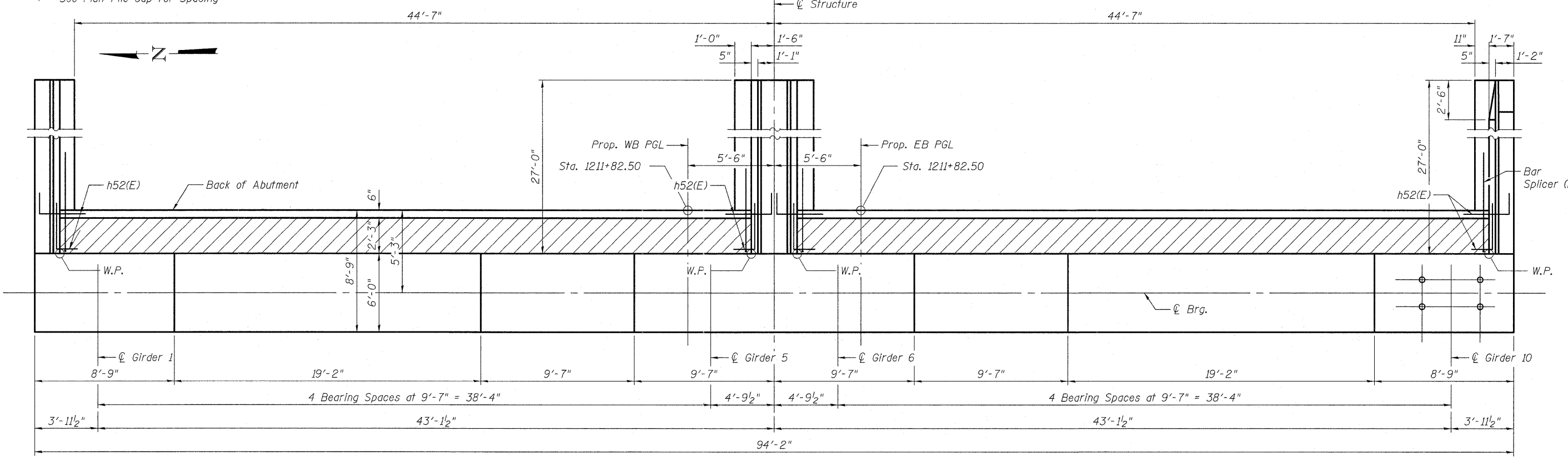
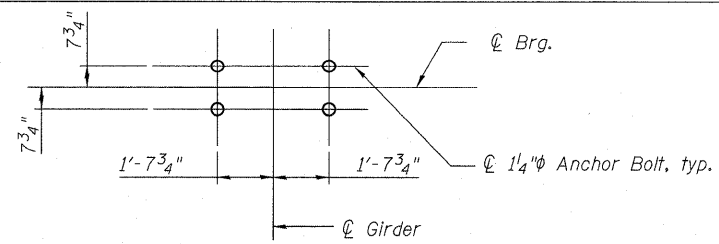


ELEVATION

For metal shell reinforcement
See Metal Shell Pile Details
Sht. 100 of 133



TOP VIEW



ANCHOR BOLT LAYOUT

Notes:
Hatched area to be poured after superstructure false work has been removed. Quantity of concrete included with Concrete Superstructure.
Space reinforcement in cap to miss anchor bolts.
Pour steps monolithically with cap.

FILE NAME = ...0600345-76A91-086-AB0.dgn McDonough Associates Inc. Engineers / Architects 130 East Randolph Street, Chicago, Illinois 60601	USER NAME = \$USER\$	DESIGNED - KJH	REVISED -	STATE OF ILLINOIS DEPARTMENT OF TRANSPORTATION	E. ABUTMENT - PLAN & ELEVATION STRUCTURE NO. 060-0345	F.A.I. RTE. 270	SECTION 60-1B-1	COUNTY MADISON	TOTAL SHEETS 712	SHEET NO. 465
	PLOT SCALE = NONE	DRAWN - RJ	REVISED -			BRIDGE SHEET NO. 86 OF 133 SHEETS	CONTRACT NO. 76A91			
	PLOT DATE = 3/18/2011	CHECKED - JCE	REVISED -			ILLINOIS FED. AID PROJECT				