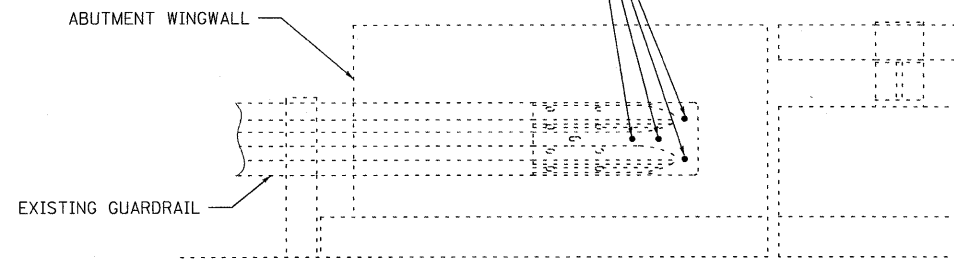
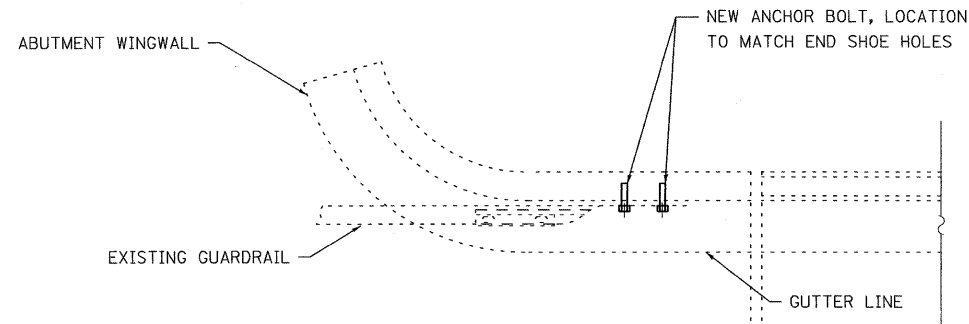


REMOVE DAMAGED ANCHOR BOLTS AND INSTALL 4 NEW EPOXY GROUTED 3/8" ANCHOR BOLTS WITH STANDARD WASHERS. SEE STANDARD 631046

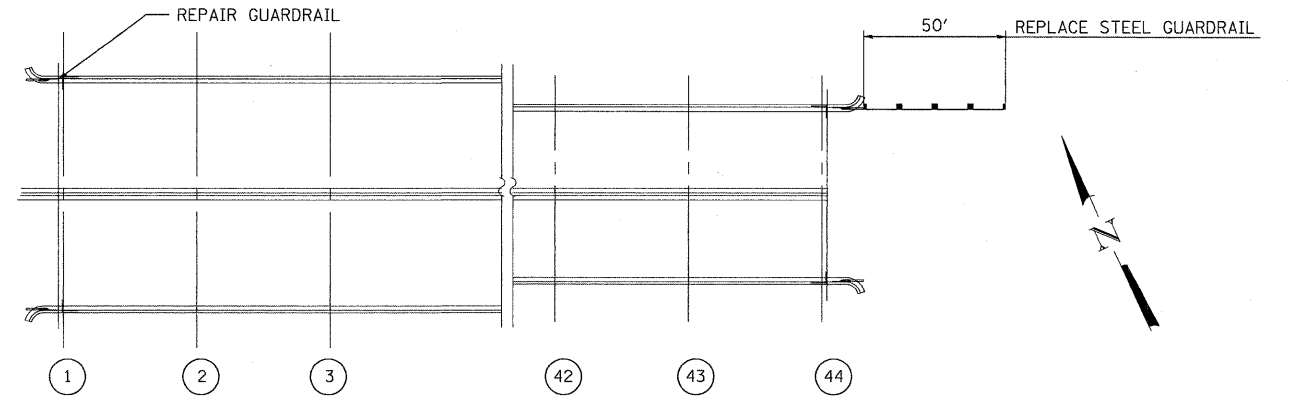


ELEVATION



PLAN

**GUARDRAIL REPAIR AT ABUTMENT 1
WESTBOUND LANES - NORTH WINGWALL**



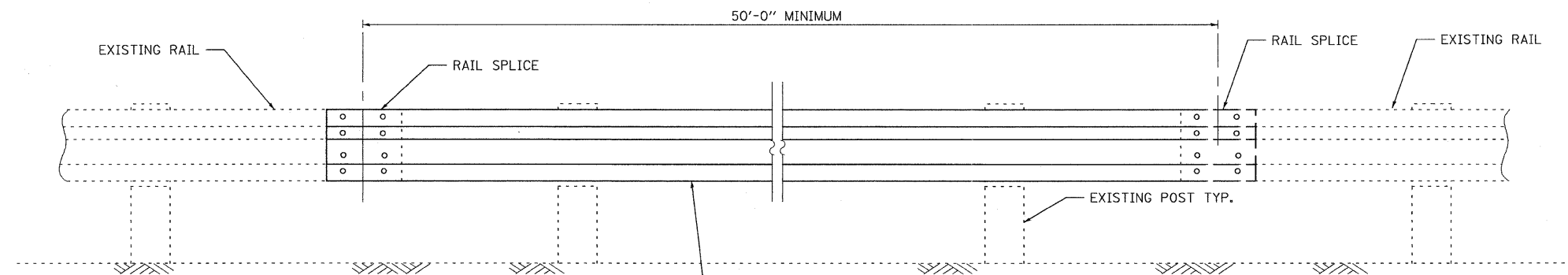
PLAN VIEW

NOTES:

THE LIMITS OF STEEL GUARDRAIL REPLACEMENT ARE SHOWN FOR INFORMATION ONLY.

AN ESTIMATED LENGTH OF 50 FT IS SHOWN IN THE "BILL OF MATERIAL" FOR GUARDRAIL REPLACEMENT, THE EXACT QUANTITY WILL BE MEASURED IN THE FIELD AS DIRECTED BY THE ENGINEER.

COORDINATE REPAIR WITH WINGWALL MODIFICATIONS.



REMOVE AND REPLACE DAMAGED SECTIONS OF EXISTING GUARDRAIL AND RAIL SPLICES WITH NEW SECTIONS AND RAIL SPLICES AS REQUIRED. SEE STANDARD 630001.

**GUARDRAIL REPLACEMENT
EAST OF ABUTMENT 44 - WESTBOUND LANES**

FILE NAME =	USER NAME = #USER#	DESIGNED - TMB	REVISED -	STATE OF ILLINOIS DEPARTMENT OF TRANSPORTATION	GUARDRAIL REPAIR I-270 OVER MISSISSIPPI RIVER				F.A.I. RTE.	SECTION	COUNTY	TOTAL SHEETS	SHEET NO.
#FILEA#		CHECKED - TSB	REVISED -		270	60B-I-8	MADISON	49	4				
	PLOT SCALE = #SCALE#	DRAWN - JGC/TMB	REVISED -		SCALE: N.T.S. SHEET NO. OF SHEETS STA. TO STA.				CONTRACT NO. 76A92				
	PLOT DATE = 3/23/2011	CHECKED - RAM	REVISED -		ILLINOIS FED. AID PROJECT								