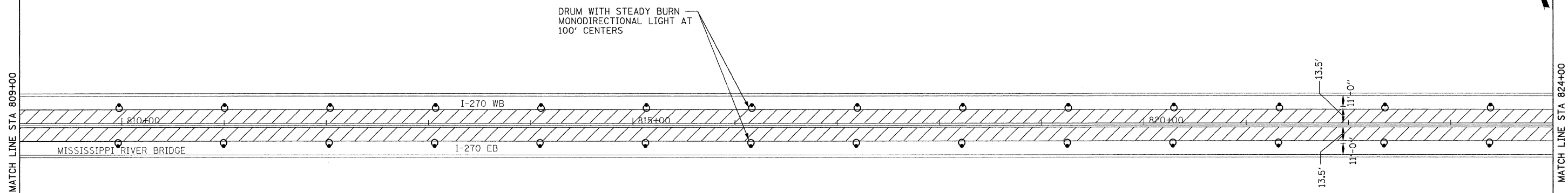
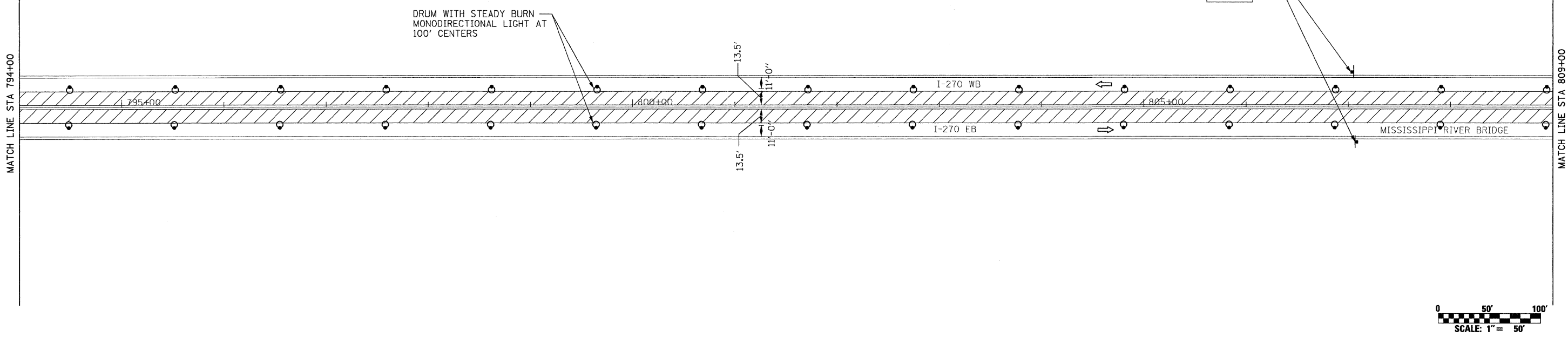


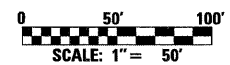
W2-I115(0)-3618  
 R2-1-3648  
 R2-I106-3618

WORK ZONE
<b>SPEED LIMIT</b>
<b>45</b>
§XXX FINE MINIMUM



- LEGEND:**
- DIRECTION OF TRAFFIC FLOW
  - DIRECTION INDICATOR BARRICADE WITH STEADY BURN MONODIRECTIONAL LIGHT
  - DRUM WITH STEADY BURN MONODIRECTIONAL LIGHT
  - TYPE III BARRICADE WITH FLASHING LIGHTS
  - ARROW BOARD
  - SIGN
  - EXIST. STEEL PLATE BEAM GUARDRAIL
  - PROPOSED STEEL PLATE BEAM GUARDRAIL, TYPE A
  - CONSTRUCTION IN THIS STAGE

- NOTES:**
- REFER TO STANDARD 701400, 701401 AND 701411 FOR ADDITIONAL SIGNING REQUIREMENTS.
  - REFER TO SHEET 6 OF 49 FOR LANE CLOSURE SCHEDULE.
  - CHANGEABLE MESSAGE SIGNS IN THE VICINITY OF THE PROJECT SHALL BE INSTALLED BY THE CONTRACTOR A MINIMUM OF 2 WEEKS PRIOR TO BEGINNING CONSTRUCTION. FOR NUMBER AND LOCATION OF MESSAGE SIGNS SEE SHEET 13 OF 49.



FILE NAME = #FILE#	USER NAME = #USER#	DESIGNED - EVI	REVISED -	<b>STATE OF ILLINOIS DEPARTMENT OF TRANSPORTATION</b>	<b>TRAFFIC CONTROL PLAN STAGE 2-2</b>			F.A.I. RTE. 270	SECTION 60B-I-8	COUNTY MADISON	TOTAL SHEETS 49	SHEET NO. 11
	PLOT SCALE = #SCALE#	CHECKED - WCO	REVISED -		SCALE: 1" = 50'	SHEET NO.	OF	SHEETS	STA.	TO STA.	CONTRACT NO. 76A92	
	PLOT DATE = 3/23/2011	DRAWN - EVI	REVISED -		ILLINOIS FED. AID PROJECT							
		CHECKED - WCO	REVISED -									