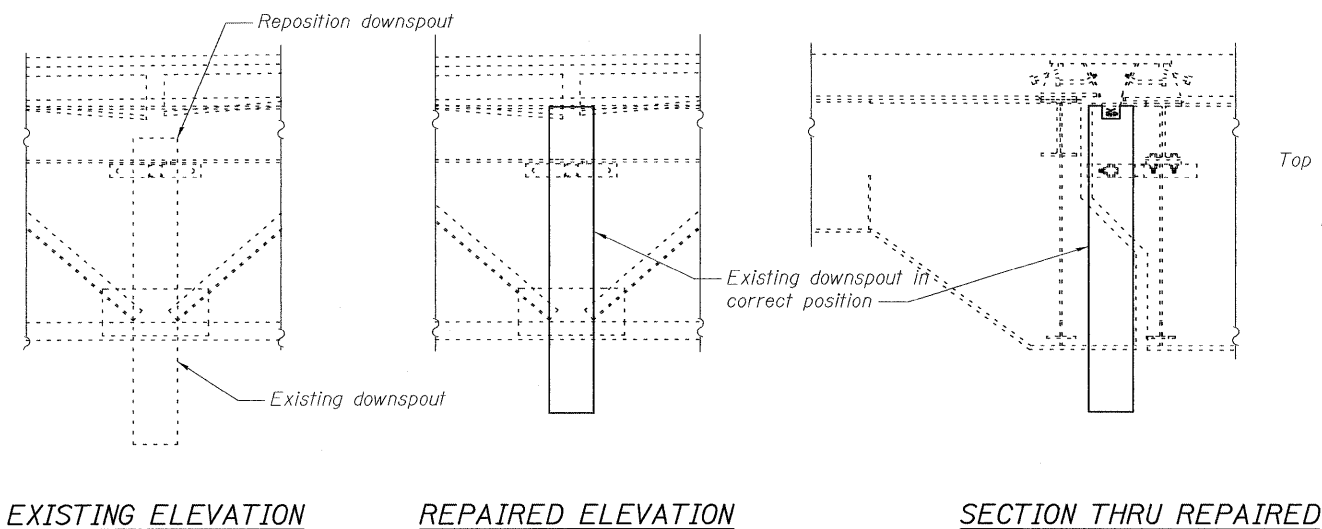


STATE OF ILLINOIS
DEPARTMENT OF TRANSPORTATION

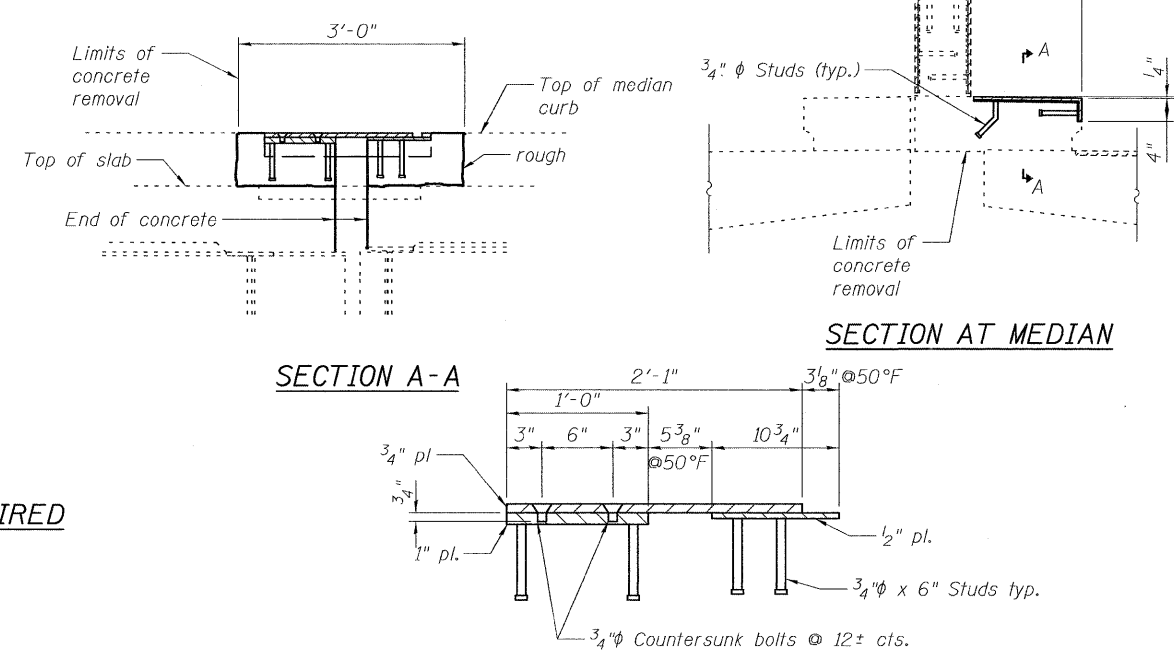


EXISTING ELEVATION

REPAIRED ELEVATION

SECTION THRU REPAIRED

TYPICAL AT JOINT NEAR PIERS 3, 32, 36 AND 40

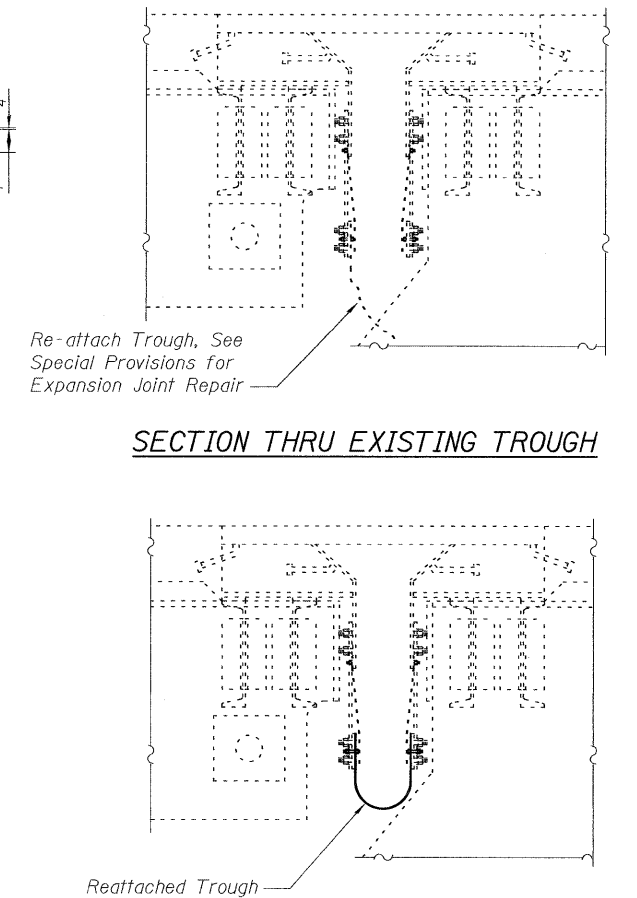


SECTION A-A

SECTION AT MEDIAN

SLIDING PLATE DETAILS

EXPANSION JOINT REPAIR NEAR PIER 3 MEDIAN

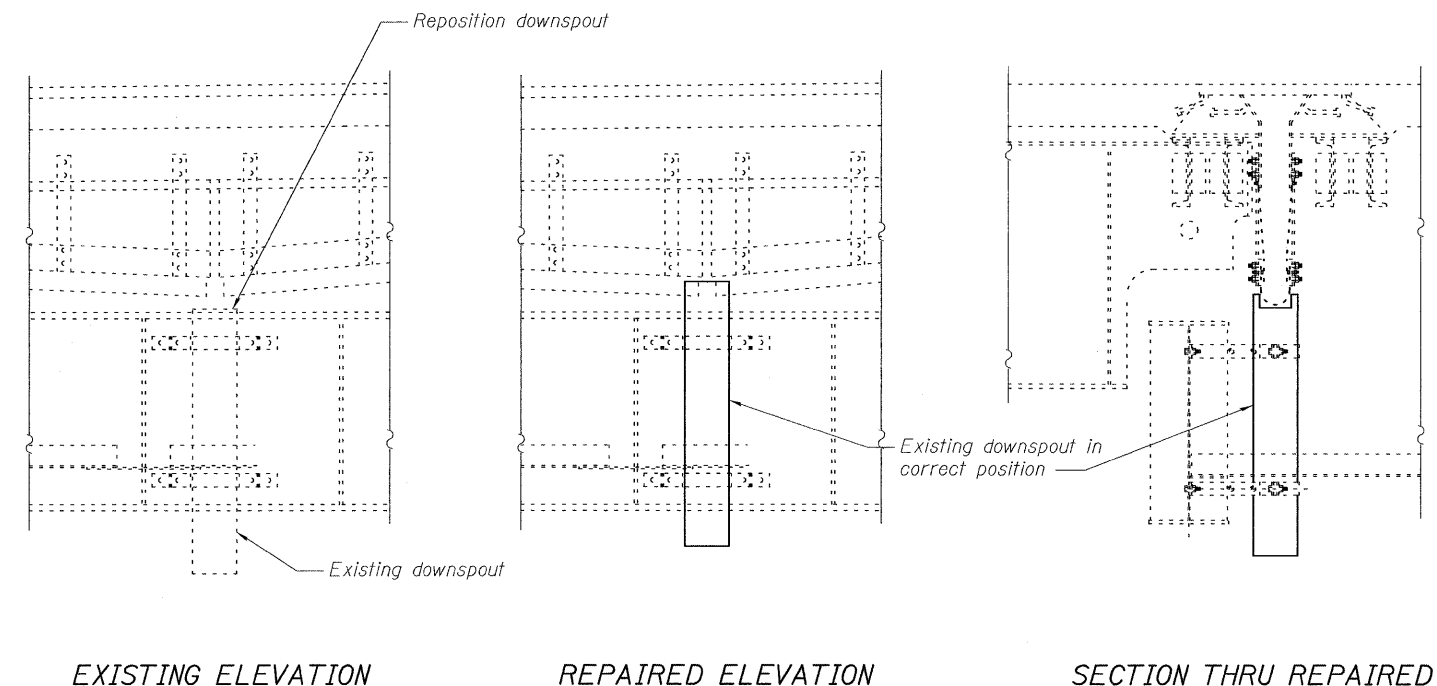


SECTION THRU EXISTING TROUGH

Reattached Trough

SECTION THRU REPAIRED TROUGH

EXPANSION JOINT REPAIR NEAR PIER 19

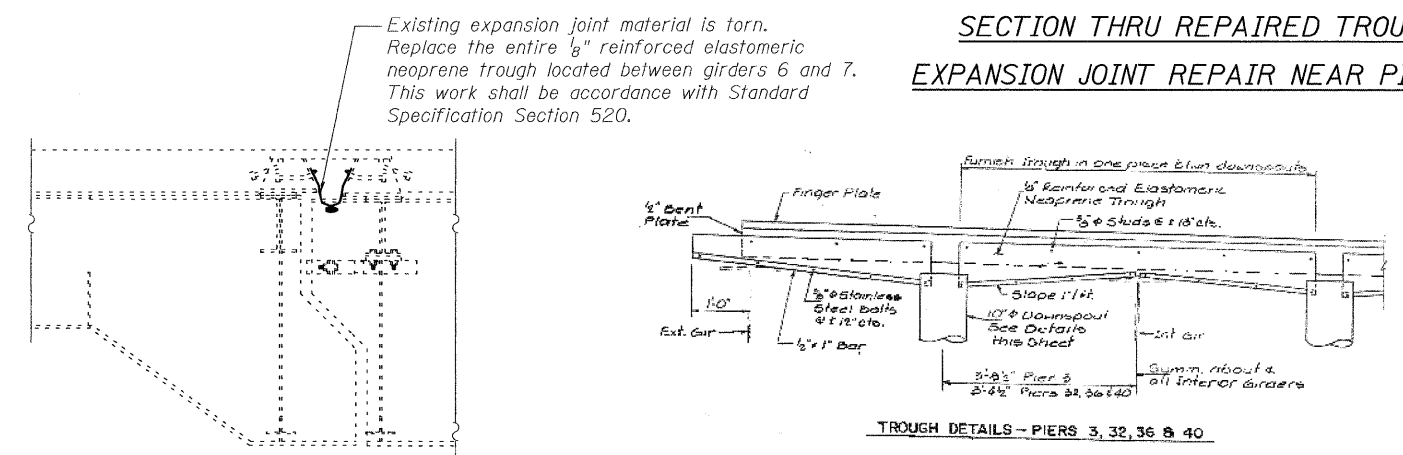


EXISTING ELEVATION

REPAIRED ELEVATION

SECTION THRU REPAIRED

TYPICAL AT JOINTS NEAR PIERS 7 AND 28



SECTION THRU REPAIRED TROUGH

TROUGH DETAILS - PIERS 3, 32, 36 & 40

ELEVATION OF TROUGH NEAR PIER 32

EXPANSION JOINT REPAIR - PIER 32 BETWEEN GIRDERS 6 AND 7

DOWNSPOUT ADJUSTMENT

Downspouts pipes shall be adjusted to prevent leakage from drainage trough, at direction of Engineer.

BILL OF MATERIAL

Item	Unit	Total
Expansion Joint Repair	Foot	66
Downspout Adjustment	Each	38

Notes:

The Contractor shall clean all troughs and downspouts of debris and adjust downspouts as required. See Special Provisions.

EXPANSION JOINT AND DRAINAGE REPAIR DETAILS
STRUCTURE NO. 060-0035

SHEET NO.	F.A.I. RTE.	SECTION	COUNTY	TOTAL SHEETS	SHEET NO.
9	270	60B-I-8	MADISON	49	22
36 SHEETS					
CONTRACT NO. 76A92					
FED. ROAD DIST. NO. 8 ILLINOIS FED. AID PROJECT					

L:\647178-Chan of Rocks\04 Design\CADD\Sheet Files\0600035-76A92-003-C-Drainage-Repair.dgn

DESIGNED	TMB
CHECKED	TSB
DRAWN	JGC / TMB
CHECKED	TSB



PARSONS
400 WOODS MILL RD. SOUTH, SUITE 330
CHESTERFIELD, MO. 63017
PHONE: 314.434.2900