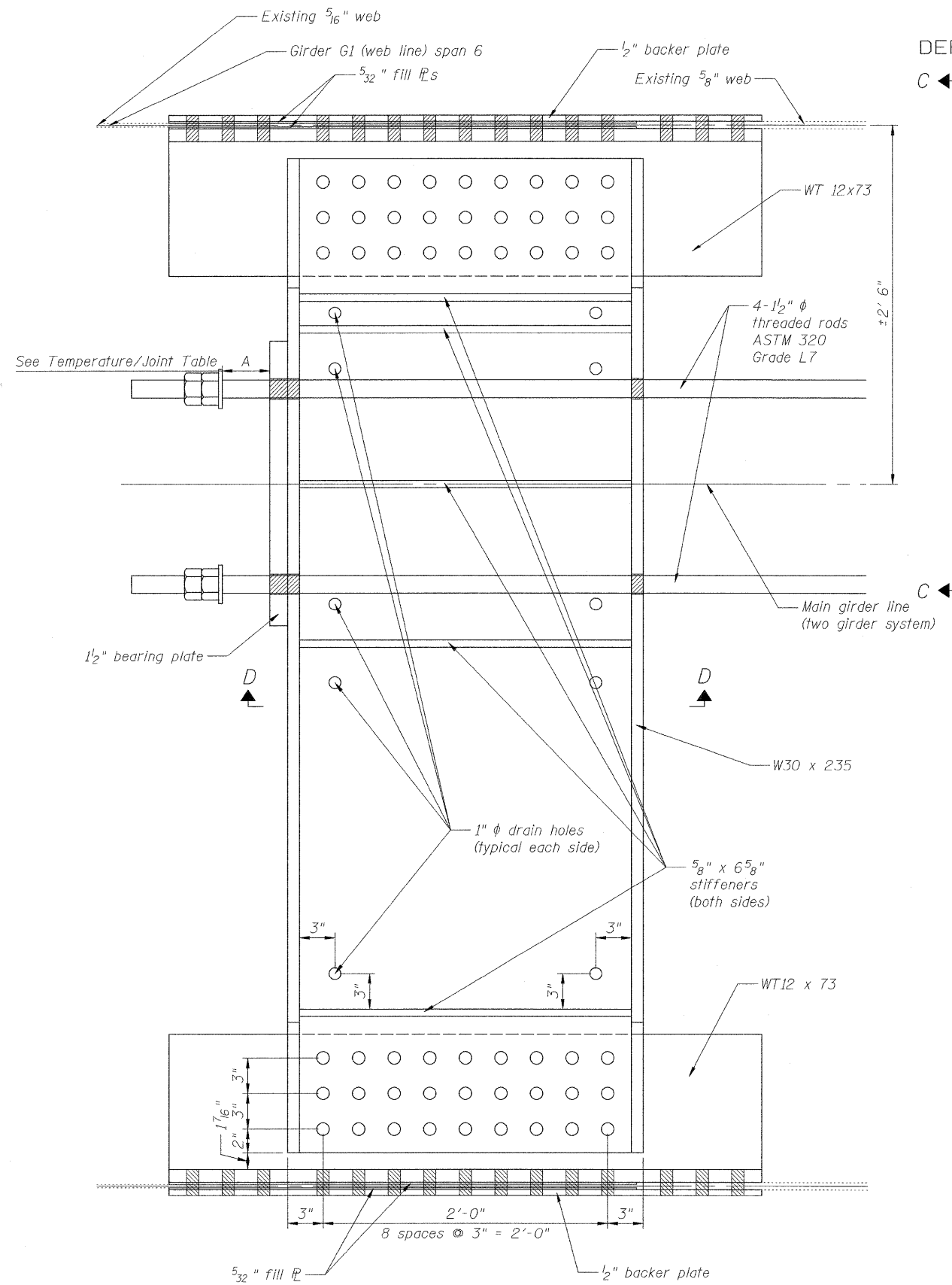
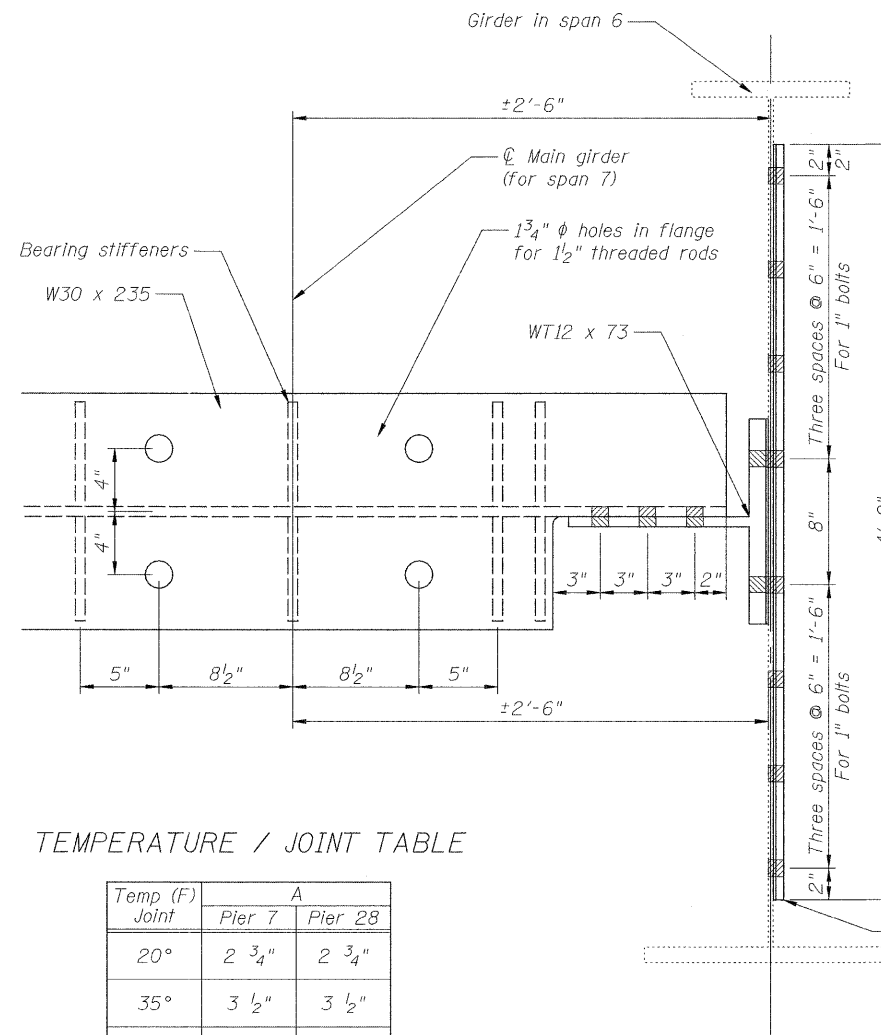


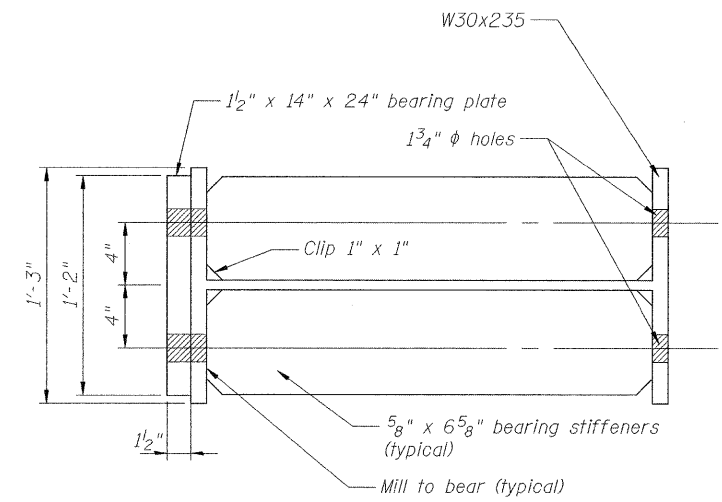
STATE OF ILLINOIS
DEPARTMENT OF TRANSPORTATION



BRACKET ASSEMBLY "B"



SECTION C-C



SECTION D-D

TEMPERATURE / JOINT TABLE

Temp (F) Joint	A	
	Pier 7	Pier 28
20°	2 3/4"	2 3/4"
35°	3 1/2"	3 1/2"
50°	4 1/2"	4 1/2"
65°	4 3/4"	4 3/4"
80°	5 1/2"	5 1/2"
95°	6 1/8"	6 1/8"
110°	6 3/4"	6 3/4"

SEISMIC RESTRAINER NEAR PIERS 7 & 28 - 3

RESTRAINER AT PIER 7 SHOWN;
RESTRAINER AT PIER 28 SIMILAR

DESIGNED	NJM
CHECKED	RM
DRAWN	JVK
CHECKED	NJM



PARSONS
400 WOODS MILL RD. SOUTH, SUITE 330
CHESTERFIELD, MO. 63017
PHONE: 314.434.2900

SHEET NO. 27 36 SHEETS	F.A.I. RTE.	SECTION	COUNTY	TOTAL SHEETS	SHEET NO.
	270	60B-I-8	MADISON	49	40
CONTRACT NO. 76A92					
FED. ROAD DIST. NO. 8 ILLINOIS FED. AID PROJECT					